



Main

| | |
|---------------------------|--------------------------|
| Range of Product | Harmony 9001K |
| Product or Component Type | Head for selector switch |
| Device short name | 9001K |
| Type of operator | To centre spring return |
| Operator profile | Black long handle |

Complementary

| | |
|-------------------------------|------------------------|
| Bezel material | Metal |
| Mounting diameter | 1.18 in (30 mm) |
| Product Weight | 0.38 lb(US) (0.172 kg) |
| Shape of signaling unit head | Octagonal |
| Operator position information | 3 positions |
| Contacts type and composition | Without contact block |
| Mechanical durability | 500000 cycles |
| Product compatibility | 9001KA1 side 1 or 2 |
| Device presentation | Basic element |
| Cap/operator or lens colour | Black |
| Operator profile | Long handle |
| Type of operator | Spring return |
| Size | 30 mm |
| Return | Both sides to centre |
| Cam profile | 3 |

Environment

| | |
|---------------------------------------|--|
| Protective treatment | TC |
| Ambient Air Temperature for Storage | -40...158 °F (-40...70 °C) |
| Ambient Air Temperature for Operation | -13...158 °F (-25...70 °C) |
| Overvoltage category | Class II IEC 61140 |
| IP degree of protection | IP66 IEC 60529 |
| NEMA degree of protection | NEMA 1 NEMA 12 NEMA 13 NEMA 2 NEMA 3 NEMA 3R NEMA 4 |
| Standards | JIS C 4520 EN/IEC 60947-1 EN/IEC 60947-5-1 CSA C22.2 No 14 UL 508 JIS C 852 EN/IEC 60947-5-4 |

| | |
|------------------------|-------------------------------|
| Product Certifications | NEMA UL 508 |
| Vibration resistance | 7 gn 2...500 Hz)IEC 60068-2-6 |
| Shock resistance | 50 gn IEC 60068-2-27 |

Ordering and shipping details

| | |
|-------------------|-----------------------------|
| Category | 21426-9001 K (NOT KA,KM,KX) |
| Discount Schedule | CS1 |
| GTIN | 785901048497 |
| Returnability | Yes |
| Country of origin | MX |

Packing Units

| | |
|------------------------------|------------------------|
| Unit Type of Package 1 | PCE |
| Number of Units in Package 1 | 1 |
| Package 1 Height | 1.89 in (4.8 cm) |
| Package 1 Width | 2.20 in (5.6 cm) |
| Package 1 Length | 3.74 in (9.5 cm) |
| Package 1 Weight | 4.44 oz (126.0 g) |
| Unit Type of Package 2 | S01 |
| Number of Units in Package 2 | 24 |
| Package 2 Height | 5.91 in (15.0 cm) |
| Package 2 Width | 5.91 in (15.0 cm) |
| Package 2 Length | 15.75 in (40.0 cm) |
| Package 2 Weight | 7.05 lb(US) (3.199 kg) |

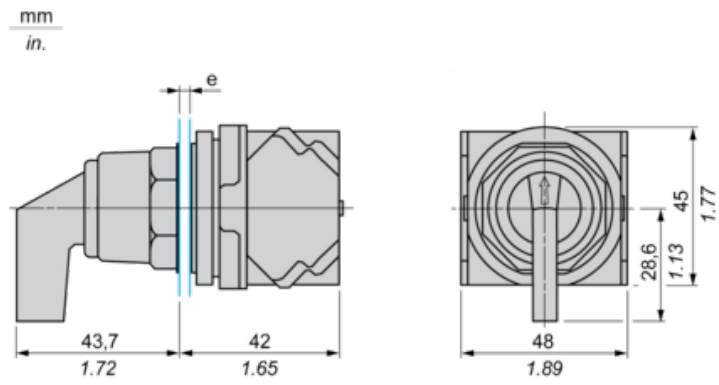
Offer Sustainability

| | |
|----------------------------|--|
| Sustainable offer status | Green Premium product |
| California proposition 65 | WARNING: This product can expose you to chemicals including: Nickel compounds, which is known to the State of California to cause cancer, and Di-isodecyl phthalate (DIDP), which is known to the State of California to cause birth defects or other reproductive harm. For more information go to www.P65Warnings.ca.gov |
| REACH Regulation | REACH Declaration |
| EU RoHS Directive | Pro-active compliance (Product out of EU RoHS legal scope) EU RoHS Declaration |
| Mercury free | Yes |
| China RoHS Regulation | China RoHS Declaration |
| RoHS exemption information | Yes |
| Environmental Disclosure | Product Environmental Profile |
| WEEE | The product must be disposed on European Union markets following specific waste collection and never end up in rubbish bins. |

Contractual warranty

| | |
|----------|-----------|
| Warranty | 18 months |
|----------|-----------|

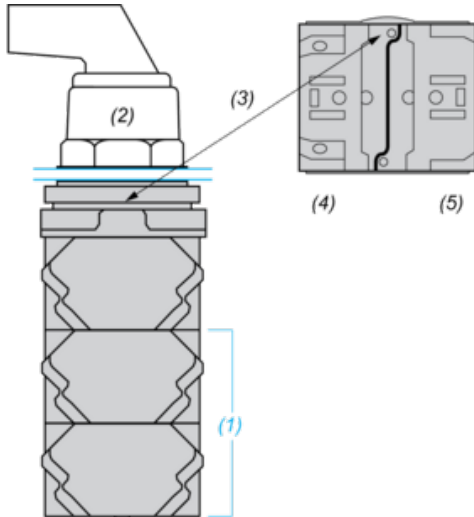
Dimensions



e panel thickness: 1 to 6 mm / 0.04 to 0.24 in.

Contact Block Mounting Position

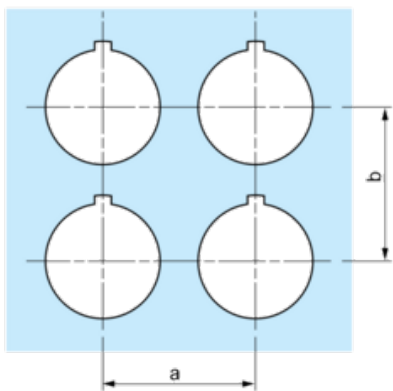
Top and Rear views



- (1) It is possible to mount up to 3 levels of contacts blocks (maximum of 6 contacts blocks)
- (2) Operator
- (3) Locating notch
- (4) Side 1
- (5) Side 2

Panel Cut-Out

Clearance



| Legend plate | a min. | | b min. | |
|--------------|--------|------|--------|------|
| | mm | in. | mm | in. |
| 9001KN2** | 57.2 | 2.25 | 44.5 | 1.75 |
| 9001KN3** | 57.2 | 2.25 | 50.8 | 2.00 |

Individual Cut-outs Details

2 alternatives

mm
in.

