

## FEATURES

- Battery 'fuel gauge'
- 'Battery low' Alarm Output
- Suits most Lead-Acid Batteries
- 12-24/36/48Vdc
- Multi-colour LED segment Bar-Graph Display
- Multi-segment or Single segment display modes
- IP67 frontplate
- Simple snap-in and Screw Clamp fixing options

# RS PRO Digital Battery Condition Meter with multi-colour LED Bar Graph Display.

RS Stock No.:

**Snap-in fixing**

**2615007**

**2615009**

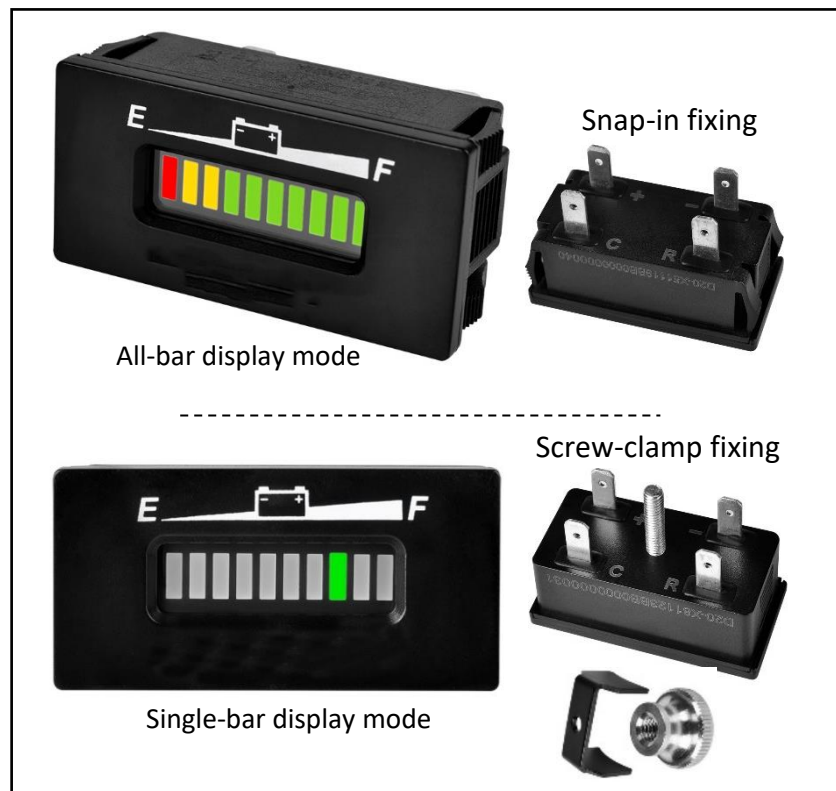
**2615010**

**Screw-clamp fixing**

**2615011**

**2615012**

**2615013**



RS Professionally Approved Products bring to you professional quality parts across all product categories. Our product range has been tested by engineers and provides a comparable quality to the leading brands without paying a premium price.

## Product Description

- Monitor the charge level of battery powered equipment
- A Digital battery condition meter monitors the state of charge of a battery, indicating the battery condition from charging through full to empty. It is connected to the positive terminal (stud) and negative terminal (stud) of the battery being monitored.
- Please ensure you select the correct voltage meter to suit your battery and that cables to the battery are suitable for the application.
- Used in Battery powered vehicles and machines such as Fork-Lift Trucks, Golf-Carts and Trolleys, Lawn Mowers, Industrial Pressure Washers.

## General Specifications

Overview	Battery fuel gauges measure the remaining power in a battery by monitoring the voltage change of the device. The 10 bar Multi-Colour, dual-mode LED bar-graph display indicates the battery level with a resolution of 10% for each LED segment. These battery meters have an IP67 surface waterproof design to adapt to harsh external environments. The display can be configured to show only the LED bar corresponding to the current battery state or all LED bars up to the current battery state
----------	---

## Mechanical Specifications

Dimensions	48mm x 24mm bezel x 28.3mm deep (Max)
Panel cut-out	45.5mm x 22.5mm
Panel fixing	Integrated sprung ratchet clamps, or Screw bracket. See types on page 3
Display Window size	48mm x 24mm
Weight	35gm
Connections	Supplied complete with 4 x 4 female fast-on connectors

## Electrical Specifications

Battery Voltages measured	12/24/38/48Vdc
Battery type	Lead-Acid.
Display Accuracy	+/-10% as per LED Bar-graph display

## Protection Category

IP Category	IP67
-------------	------

### Additional Information

Customs Tariff Number	9030337000
-----------------------	------------

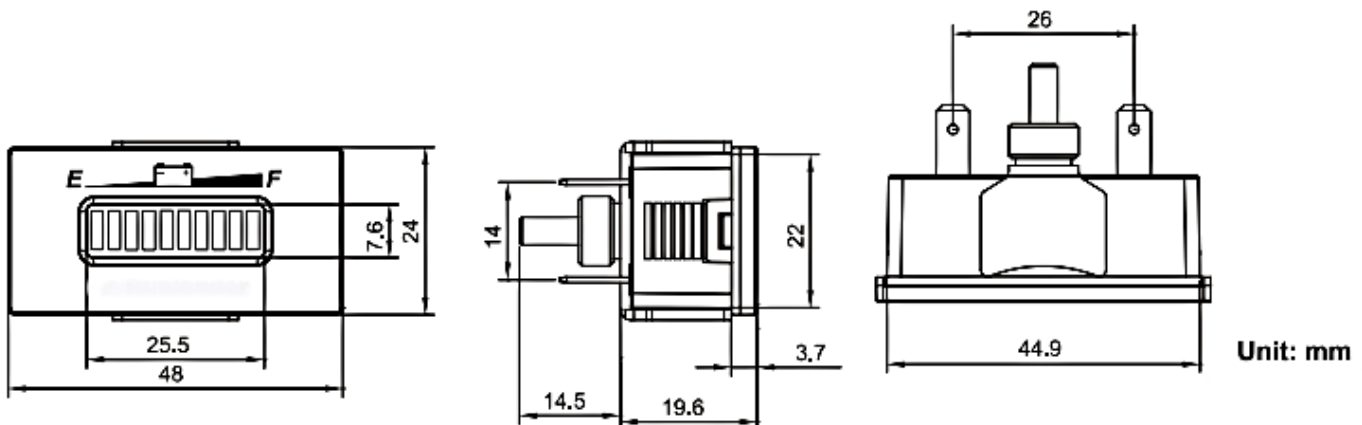
### Approvals

Declarations	CE, RoHS, UKCA
Standards Met	UKCA, SI 2016/1101, SI2016/1091, SI2012/3032
	CE, EN 55032:2015+A1:2020, EN55035:2017+A11:2020
	EN IEC 61000-3-2:2019, EN 61000-3-3:2013 + A1:2019

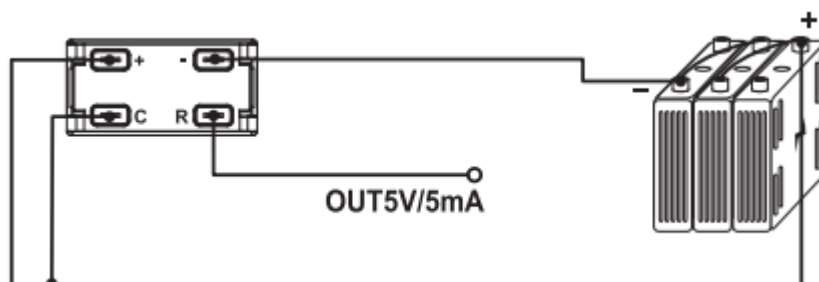
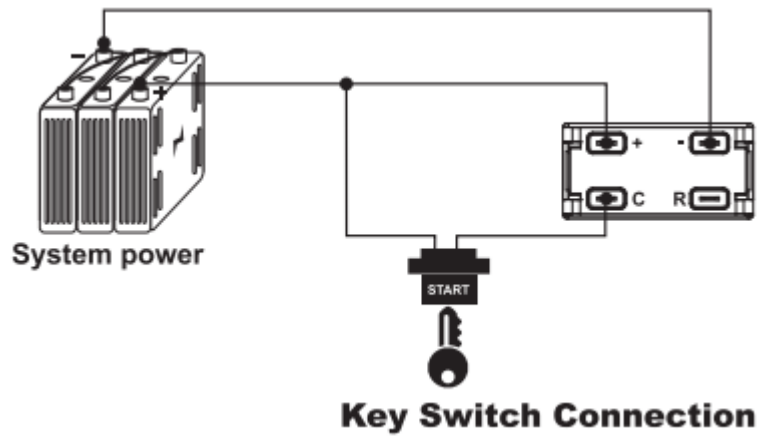
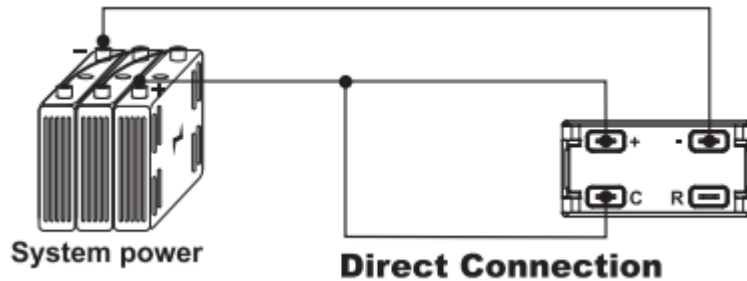
### Similar Products

Stock No.	Brand	Battery voltage	Fixing	Product Name
2615007	RS PRO	12-24Vdc	Snap-in	Digital Battery Condition Meter with Multi-colour LED Bar-Graph Display
2615009	RS PRO	36Vdc	Snap-in	Digital Battery Condition Meter with Multi-colour LED Bar-Graph Display
2615010	RS PRO	48Vdc	Snap-in	Digital Battery Condition Meter with Multi-colour LED Bar-Graph Display
2615011	RS PRO	12-24Vdc	Screw Clamp	Digital Battery Condition Meter with Multi-colour LED Bar-Graph Display
2615012	RS PRO	36Vdc	Screw Clamp	Digital Battery Condition Meter with Multi-colour LED Bar-Graph Display
2615013	RS PRO	48Vdc	Screw Clamp	Digital Battery Condition Meter with Multi-colour LED Bar-Graph Display

### Dimensions



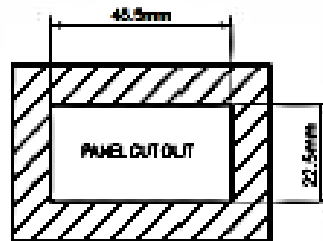
Both fixing types illustrated. Snap-in style does not have the centre bolt fixing

**Connection Examples****Using 5 Volt alarm output**

## Mounting

### 1. Panel cut-out:

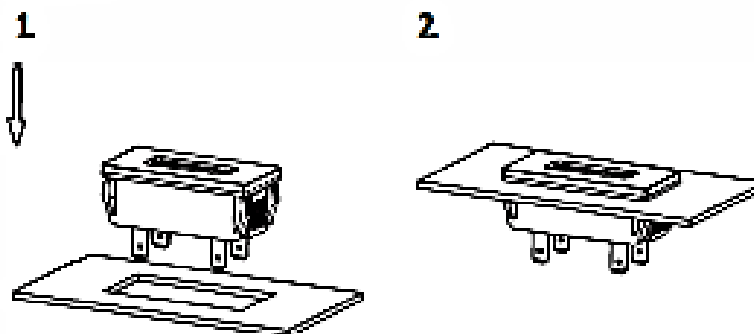
Cut a hole in the equipment panel according to the opening size.  
(Snap in & Clamp fixing Same opening size)



### 2. Product installation:

a) Please put the meter into the mounting hole and fix it by the brackets.

#### Snap-in



b) Insert the battery meter into the mounting panel as below picture, mount the bracket pass through the screw and top side against the mounting plate, then secured by screw nut.

#### Clamp

