



- > **Monitor pressures in compressed air systems for optimum efficiency**
- > **Triple calibrated scale indicates pressure in psi, bar, and Mpa)**
- > **Back or bottom connection**
- > **Panel mount, stainless steel, and Underwriters Laboratories, Inc. listed gauges available**
- > **Compliant with RoHS 2 Directive 2011/65/EU materials requirements**



### Technical features

**Medium:**

**Fluid:**

Compressed air and inert gasses  
 Maximum pressure: 100% of full scale on gauge

**Operating temperature:**

-30° to 175°F (-34° to 80°C)\*

\* Air supply must be dry enough to avoid ice formation at temperatures below 35°F (2°C).

**Accuracy:**

2% of full scale at midrange  
 3% of full scale at other ranges

**Materials**

**Body:**

Standard: Gauges may have a steel or plastic body  
 Optional: Stainless steel

**Crystal:**

Standard steel and plastic bodies have plastic crystal  
 Optional stainless steel body has glass crystal

**Connector:**

Standard steel and plastic bodies have brass connector  
 Optional stainless steel body has stainless steel connector

Ordering information, black face gauges - psi outer scale, bar middle scale, Mpa inner scale

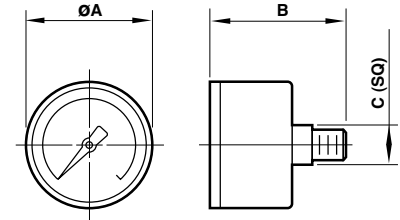
Dimensions in inches (mm)  
Projection/First angle



Center black connection

Symbol	Scale range			Model-diameter & connection		
	Outer scale psig	Middle scale bar	Inner scale Mpa	1/8 NPT 1.5" (40 mm)	1/8 NPT 2" (50 mm)	1/4 NPT 2" (50 mm)
	0 to 30	0 to 2	0 to 0.2	18-015-214	18-015-201	18-015-207
	0 to 60	0 to 4	0 to 0.4	18-015-211	18-015-202	18-015-208
	0 to 100	0 to 7	0 to 0.7	—	18-015-203	18-015-235
	0 to 160	0 to 11	0 to 1.1	18-015-212	18-015-204	18-015-209
	0 to 300	0 to 20	0 to 2.1	—	18-015-205	18-015-210
	0 to 400	0 to 28	0 to 2.8	—	18-015-206	—

Dimensions



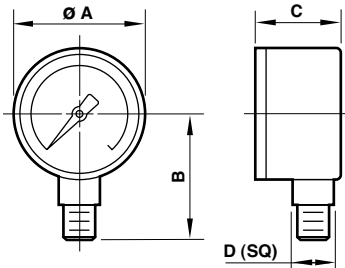
A	B	C
1.5 (40)	1.60 (41)	0.47 (12)
2.0 (50)	1.85 (47)	0.55 (14)

Bottom connection

2" (50 mm) diameter gauges do not have the Mpa scale

Symbol	Scale range			Model-diameter & connection	
	Outer scale psig	Middle scale bar	Inner scale Mpa	1/8 NPT 1.5" (40 mm)	1/4 2" (50 mm)
	0 to 15	0 to 1	—	—	18-015-082
	0 to 30	0 to 2	0 to 0.2	18-015-224	18-015-030 *
	0 to 60	0 to 4	0 to 0.4	18-015-225	18-015-083 *
	0 to 100	0 to 7	0 to 0.7	18-015-265	18-015-084 *
	0 to 160	0 to 11	0 to 1.1	18-015-273	18-015-085 *
	0 to 300	0 to 20	—	—	18-015-086 *
	0 to 2000	0 to 135	—	—	18-015-244 *†
	0 to 3000	0 to 205	—	—	18-015-087 *†

\* Underwriters Laboratories Inc. Listed  
† Shipped with pulsation dampener installed.

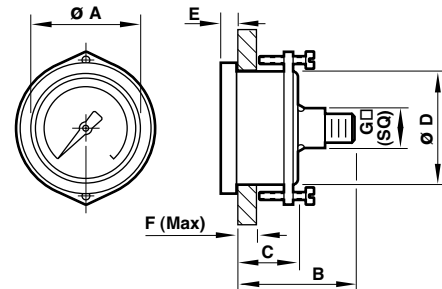


A	B	C	D
1.5 (40)	1.42 (36)	0.90 (23)	0.47 (12)
2.0 (50)	1.73 (44)	1.03 (26)	0.55 (14)

Center back connection, panel mounted

Symbol	Scale range			Model-diameter & connection
	Outer scale psig	Middle scale bar	Inner scale Mpa	
	0 to 30	0 to 2	0 to 0.2	5PG-406-000 **
	0 to 60	0 to 4	0 to 0.4	5PG-412-000 **
	0 to 100	0 to 7	0 to 0.7	5PG-420-000 **

\*\* Requires 1.63" (41 mm) diameter panel hole.



A	B	C	D	E	F (Max)	G
1.5 (40)	1.51 (38)	0.86 (22)	1.61 (41)	0.18 (5)	0.5 (13)	0.55 (14)

Ordering information, white face gauges - bar outer scale, Mpa middle scale, psi inner scale

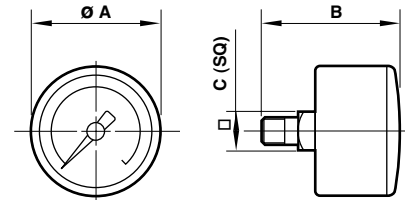
Dimensions in inches (mm)  
Projection/First angle



Center black connection

Symbol	Scale range			Model-diameter & connection		
	Outer scale bar	Middle scale Mpa	Inner scale psi	R1/8 1.5" (40 mm)	R1/8 2" (50 mm)	R1/8 2.5" (63 mm)
	0 to 1.6	0 to 0.16	0 to 23	18-015-991	18-015-010	—
	0 to 4	0 to 0.4	0 to 56	18-015-990	18-015-011	—
	0 to 6	0 to 0.6	0 to 84	—	18-015-012	—
	0 to 10	0 to 1.0	0 to 140	18-015-989	18-015-015	18-015-856
	0 to 16	0 to 1.6	0 to 240	—	—	18-015-855
	0 to 25	0 to 2.5	0 to 360	18-015-908	18-015-014	—

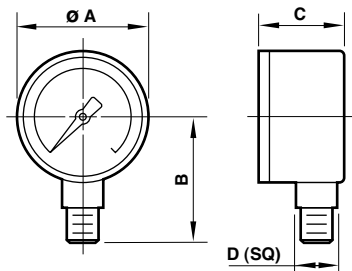
Dimensions



A	B	C
1.5 (40)	1.77 (45)	0.55 (14)
2.0 (50)	1.93 (49)	0.55 (14)
2.5 (63)	1.89 (48)	0.55 (14)

Bottom connection

Symbol	Scale range			Model-diameter & connection	
	Outer scale bar	Middle scale Mpa	Inner scale psi	R1/8 2" (50 mm)	G1/4 2.5" (63 mm)
	0 to 1.6	0 to 0.16	0 to 23	18-015-024	—
	0 to 4	0 to 0.4	0 to 56	18-015-025	—
	0 to 6	0 to 0.6	0 to 84	18-015-026	—
	0 to 10	0 to 1.0	0 to 140	18-015-027	18-015-854
	0 to 16	0 to 1.6	0 to 240	—	18-015-853
	0 to 25	0 to 2.5	0 to 360	18-015-028	—

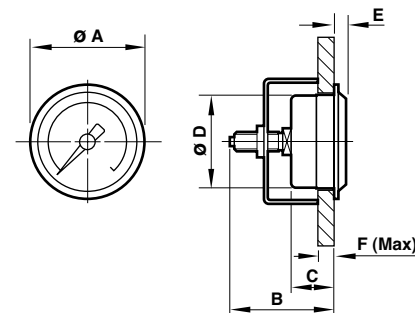


A	B	C	D
2.0 (50)	1.77 (45)	1.10 (28)	0.55 (14)
2.5 (63)	2.09 (53)	1.10 (28)	0.55 (14)

Center back connection, panel mount

Symbol	Scale range			Model-Diameter & Connection	
	Outer scale bar	Middle scale Mpa	Inner scale psi	G1/8A 2" (50 mm)	G1/4A 2.5" (63 mm)
	0 to 6	0 to 0.6	0 to 84	18-015-858 *	—
	0 to 10	0 to 1.0	0 to 140	18-015-857 *	18-015-852 †
	0 to 16	0 to 1.6	0 to 240	—	18-015-851 †

\* Requires 2.01" (51 mm) diameter panel hole.  
† Requires 2.52" (64 mm) diameter panel hole.



A	B	C	D	E	F
2.0 (50)	2.17 (55)	1.02 (26)	1.93 (49)	0.20 (5)	0.37 (9.5)
2.5 (63)	2.20 (56)	1.06 (27)	2.44 (62)	0.24 (6)	0.37 (9.5)

Warning

Improper selection, misuse, age or malfunction of components used in systems can cause failure in various modes. The system designer is warned to consider the failure modes of all component parts and to provide adequate safeguards to prevent personal injury or damage to equipment or property in the event of such failure modes. System designers and end users are cautioned to consult instruction sheets and specifications available from the factory. The system designer/end user is responsible for verifying that all requirements for the application are met.

Warranty

The products described herein are warranted subject to seller's Standard Terms and Condition of Sale, available at seller's website.

**Proposition 65:** These products may contain chemicals known to the state of California to cause cancer, or birth defects, or other reproductive harm.