

## Features

- Designed for RGB constant voltage LED lights, Max.output: 3\*8A.
- Working voltage DC12-24V, it can be universal in this range.
- Adopts PWM digital technology, signal frequency: 400Hz.
- Multiple controllers can work synchronically when connected by network cable through the RJ45 connector, the network cable between 2 ports up to 80 meters

## RS PRO Family Name

RS Stock No.: 2651542



RS Professionally Approved Products bring to you professional quality parts across all product categories. Our product range has been tested by engineers and provides a comparable quality to the leading brands without paying a premium price.

## Product Description

RF Remote Led RGB Controller adopts the most advanced PWM (Pulse Width Modulation) digital technology, with 3 channels constant voltage led RGB controller. This model is designed for RGB led products. Especially, it is designed with synchronization function.

It is possible to use RJ45 connector to connect multiple controllers together and achieve the synchronization function of thousands of meters of led strip. In theory, many strips can be connected together.

## General Specifications

Output gray	256 levels (with continuous reception)
Connecting mode	Common anode
External dimension	L91*W88*H24 mm
Packing size	L106*W106*H66 mm
Net weight	180g
Gross weight	240g

## Mechanical Specifications

Working temperature	-20-60°C
---------------------	----------

## Electrical Specifications

Supply voltage	DC12V~24V
Output	3 channels
Output current	<6A (each channel)
Output power	12V:≤216W 24V:≤432W
RF frequency	433.92MHz

## Protection Category

--	--

## Classification

eCl@ss (Version)	
UNSPSC (Version)	

## Approvals

Declarations	
Hazardous Area Certification	
Standards Met	VDE

## Similar Products

Stock No.	Brand	Product Name	Attribute 1	Attribute 2	Attribute 3
XXX-XXXX	RS PRO				
XXX-XXXX	RS PRO				

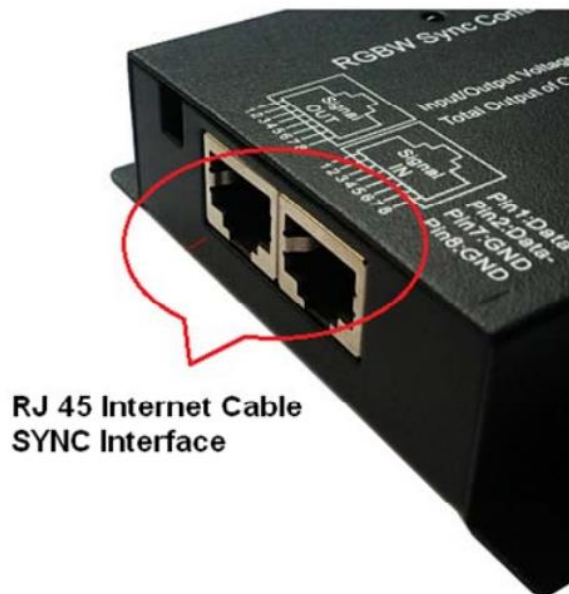
## Classification

## Interface Specifications

1. Power and load interface



2. Synchronization function




## Direction for use



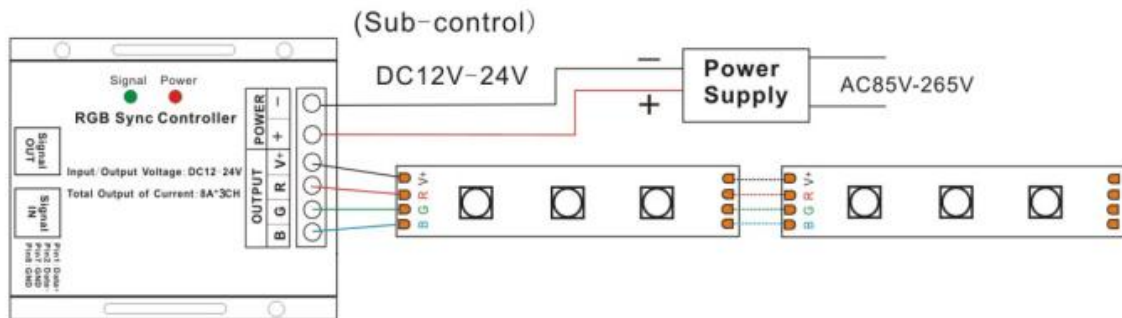
### RF Code

**Tips:** Receiver can be controlled by any one the same remote as factory default; full touch remote control delivered with unique RF code as factory default; if unique-control is needed, please matching the code before installation and using.

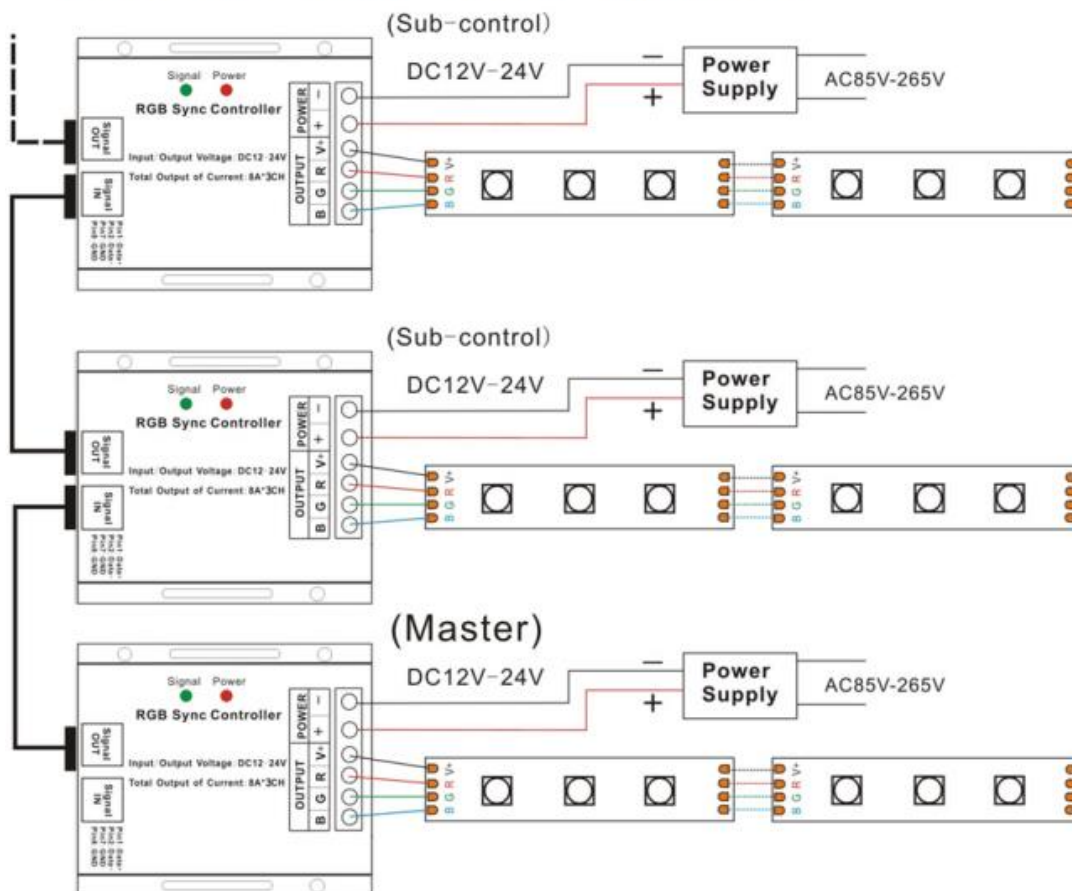
Power off , Then Power on , Press this key  3 times , Then the led strip will be flash . This shows that you can control the receiver

## Typical applications

Application Circuit 1:



Application Circuit 2: (Synchronization function with network cable)



Tips: The green signal indicator light will uniform flash with proper communication, and will off with any incorrect signal connection (like: poor contact, confused input and output, wrong wire order).