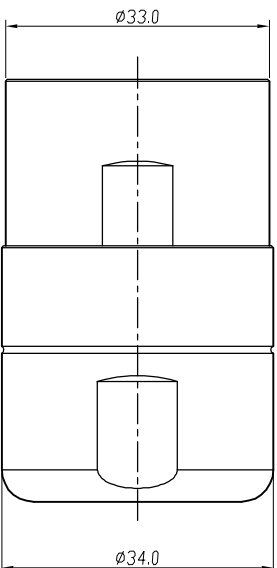
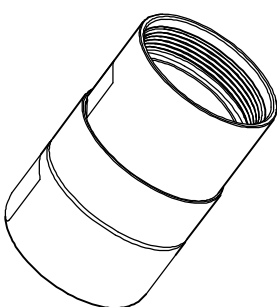
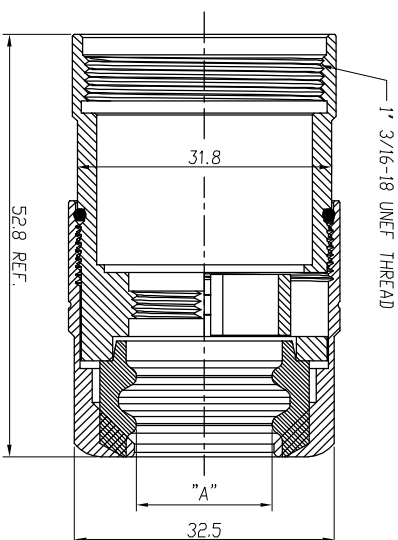
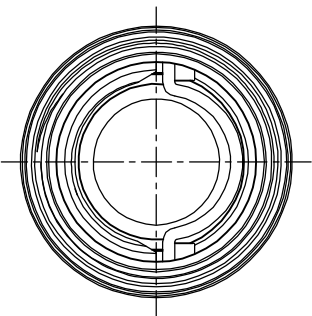


REVISIONS					
REV	ECO	DESCRIPTION	DATE	BY	APPR
B1	-	RELEASE NEW DWG FORMAT	15-Dec-2014	Drack	Tommy
B2	-	Modify rubber material	13-May-2016	Ben	Tommy



NOTES: UNLESS OTHERWISE SPECIFIED

- MATERIAL:
NUT: ZINC DIE CAST OR AL ALLOY, NICKEL PLATED.
O-RING: NBR
SEAL: EPDM
HOUSING BODY: ZINC DIE CAST OR AL ALLOY, NICKEL PLATED
- SPECIFICATIONS:
2.1 DEGREE OF PROTECTION: IP67 (MATED CONDITION)
2.2 ROHS COMPLIANT
- ALL DIMENSIONS ARE FOR REFERENCE USE ONLY.

	Dimension "A"	Cable OD Range
1	RTOL-20CPG-S1	Ø15.8mm 16.0-17.0 mm
2	RTOL-20CPG-S2	Ø20.0 mm 20.5-22.5 mm
3	RTOL-20CPG-S3	Ø13.0mm 13.5-15.0 mm
4	RTOL-20CPG-S5	Ø13.0 mm 13.5-14.0 mm
5	RTOL-20CPG-S6	Ø15.8 mm 16.0-21.0 mm
6	RTOL-20CPG-S8	Ø13.0 mm 11.0-15.0 mm

QUANTITY	SEE PART NUMBER CHART	PART NUMBER	DESCRIPTION	ITM
			MATERIALS LIST	
<p>UNLESS OTHERWISE SPECIFIED</p> <p>1) All dimensions are in metric(mm).</p> <p>2) Tolerances are as follows: 1. F, DEC 20:15 2. F, DEC 20:15 3. F, DEC 20:15</p> <p>3) Hole reference = Δ</p>				
PROCESS SPECIFICATIONS:		SIGNATURES DATE		
MATERIAL SPECIFICATIONS:		DRAWN: Drack 5/DEC/2014		
PROCESS SPECIFICATIONS:		CHECKED:		
MATERIAL SPECIFICATIONS:		ENGINEER:		
PROCESS SPECIFICATIONS:		APPROVAL:		
MATERIAL SPECIFICATIONS:		CUSTOMER:		
<p>THIS DRAWING IS REPRODUCED FOR YOUR INFORMATION ONLY. ALL DIMENSIONS ARE SUBJECT TO NORMAL MANUFACTURING VARIATIONS.</p> <p>ECO-MATE CORD GRIP, SIZE 20</p> <p>Amphenol</p> <p>Site Systems - www.amphenol-sine.com 44724 Morley Drive Clinton Township, MI 48038</p>				
SIZE	TYPE	DWG NO.	REVISION	
B	C-	RTOL-20CPG-Sx	B2	
SCALE: NONE		SHEET 1	OF 1	

TITLE:

ECO-MATE CORD GRIP, SIZE 20

DWG NO:

RTOL-20CPG-Sx

REV: B2

SH: 1

QTY: 1