

275 Series – Motor Reversing Contactor

2X – 3PST-DM, 15 Amp Contacts



The 275 Series is a Dual-Coil, compact motor reversing contactor that finds extensive applications in the Industrial Door Opener industry, Hoist industry and Electronic Wheel Balancers to name a few.

The 275 Series has 1/4"(.250) Quick Connect Coil and Contact Terminals isolated from each other. Armatures are mechanically interlocked as a standard feature to prevent simultaneous activation of contacts.

Optional 5-Amp Auxiliary Contacts are available in sets of 2 or 4 per side of the standard contacts using the 90 or 91 feature code. Also has 1/4" QC Terminals.

GENERAL SPECIFICATIONS (@ 25° C)

Contacts:

Contact Configuration	3PST-NO Double Make per side
Contact Material	Silver alloy
Contact Rating	15 Amp / 10 Amp
120 / 240VAC Resistive	15 Amp / 10 Amp
Motor 120VAC 1 Phase	1Hp
Motor 240VAC 1 Phase	1.5Hp
Motor 240VAC 2-3 Phase	3Hp
Motor 480 / 600VAC 2-3 Phase	3Hp
Contact Resistance, Initial	100milliohms max @ 6VDC

Coil:

Coils Available	AC and DC
Nominal Coil Power	17VA 4.9W
Input Voltage Tolerance - AC	85% to 110% of nominal
Input Voltage Tolerance - DC	80% to 110% of nominal
Drop-out voltage	10% of nominal
Duty	Continuous

Timing:

Operate Time (max)	50mS
Release Time (max)	30mS

Dielectric Strength:

Across Open Contacts	2500 VRMS
Between Mutally Insulated Points	2500 VRMS
Insulation Resistance	1000 Megohms @ 500 VRMS

Temperature:

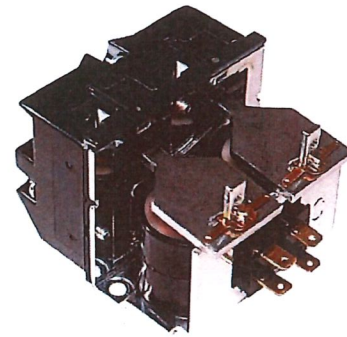
Operating	-34 to 74°C (-30 to 165°F)
Storage	-40 to 105°C (-40 to 221°F)

Life Expectancy:

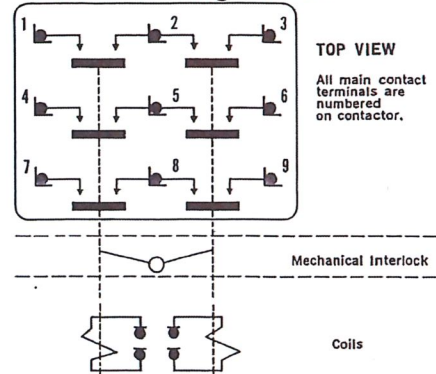
Electrical (full load operations)	100,000
Mechanical (no load operations)	5,000,000

Miscellaneous:

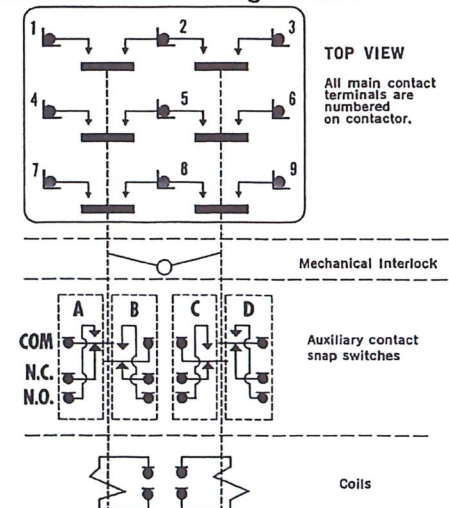
Mounting Position	Vertical , Contacts Up
Enclosure	Semi-Enclosed
Weight	16.0oz (406 grams)



275KXX - Resting Position



275KXX90 or 91 Resting Position

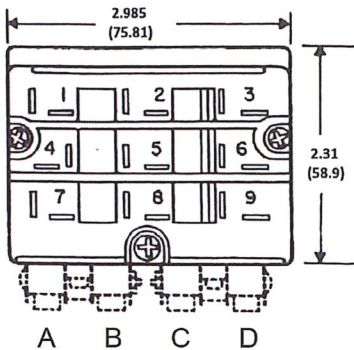


275 Series – Motor Reversing Contactor

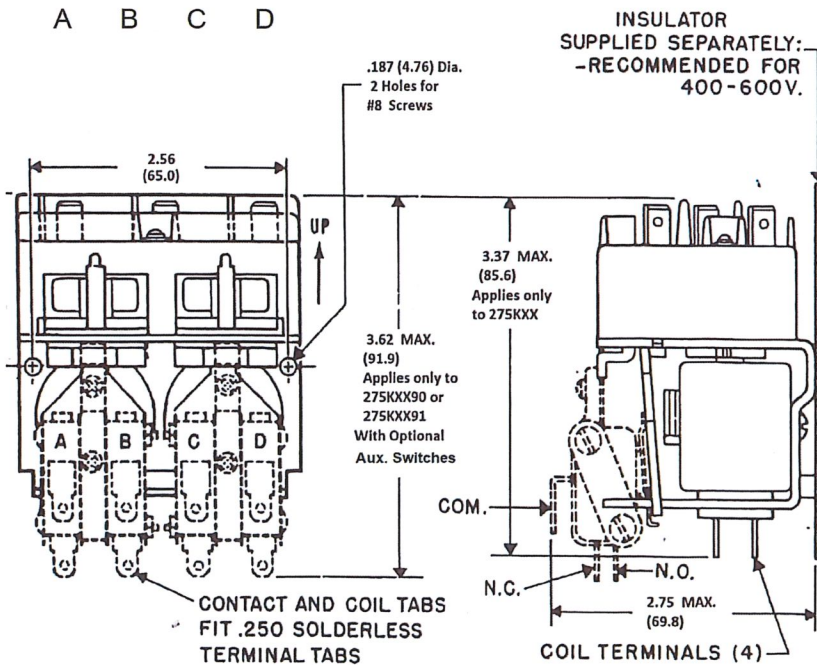
2X – 3PST-DM, 15 Amp Contacts

Outline Dimensions

Dimensions Shown in inches & (millimeters)



NOTE:
 Auxiliary contact snap switches shown in broken lines.
 Switches B and C supplied on A275KXX90.
 Switches A, B, C and D supplied on A275KXX91.



STANDARD PART NUMBERS	COIL MEASURED @ 25°C	
	NOMINAL INPUT VOLTAGE	NOMINAL RESISTANCE (OHMS)
AC OPERATED		
A275KXX-24A	24 / 24 VAC	4.8 Ω
A275KXX-120A	120 / 120 VAC	125 Ω
A275KXX90-24A	24 / 24 VAC	4.8 Ω
A275KXX90-120A	120 / 120 VAC	125 Ω
A275KXX91-24A	24 / 24 VAC	4.8 Ω
A275KXX91-120A	120 / 120 VAC	125 Ω
DC OPERATED		
A275KXX-24D	24 / 24 VDC	125 Ω
A275KXX90-24D	24 / 24 VDC	125 Ω
A275KXX91-24D	24 / 24 VDC	125 Ω

UP

 Recommended Mounting Position

Ordering Code **275** **KXX** **90** **-24VAC**

series
275

Contact Arrangement
KXX (2X 3PST – N.O. – double make)

Optional Features
 2 Auxiliary contacts each SPDT
 (1 per coil) .25" quick connect terminals - CODE 90
 4 Auxiliary contacts each SPDT
 (2 per coil) .25" quick connect terminals - CODE 91
 Rectified coil - CODE V2

Coil Voltage
 AC: 24, 120, 240 (Add VAC)
 DC: 12, 24, 125 (Add VDC)

Coil Specifications

AC Coil, 50/60HZ		DC Coil	
Nominal voltage	Resistance ohms ±10%	Nominal voltage	Resistance ohms ±10%
12	1.24	12	31
24	4.63	24	125
110-120	125	32	210
220-240	500	48	500