

Product data sheet

Specifications



Editable voice alarms, Harmony XVS, black, mounting 72mm DIN rail, PNP, 12...24V DC

XVSV7BBP

Product availability : Stock - Normally stocked in distribution facility

Main

Range of Product	Harmony XVS
Product or Component Type	Editable electronic alarm
Beacon or indicator bank unit type	Sound unit
Device short name	XVSV

Complementary

Color	Dark grey
Input type	Bit 6 channel input Binary 63 channel input
Assembly style	Ready assembled
Material	PC (polycarbonate) body PC (polycarbonate) back cover TPE (thermoplastic elastomer) front panel NBR (nitrile butadiene rubber)
Marking	CE
Overvoltage category	Class II EN/IEC 61140
Mounting Support	72 mm DIN rail
[Us] rated supply voltage	12...24 V DC
[Ue] rated operational voltage	10...30 V DC
[Ui] Rated Insulation Voltage	250 V
Inrush current	30 A
Associated fuse rating	1 A
[Uimp] rated impulse withstand voltage	2.5 kV IEC 60947-1
Power Consumption in W	1.8 W
Current consumption	75 mA 24 V DC
Clamping Connection Capacity	$\leq 1 \times 1.5 \text{ mm}^2$
Device Application	Printing Packaging Subway
Mounting diameter	3.15 in (80 mm)

Width	3.15 in (80 mm)
Height	3.15 in (80 mm)
Depth	0.98 in (24.9 mm)
Net Weight	0.31 lb(US) (0.142 kg)

Environment

Discrete output type	PNP
Signalling type	Adjustable vocal sound
Standards	EN/IEC 60947-5-1
Protective treatment	TC
Ambient Air Temperature for Storage	-4...140 °F (-20...60 °C)
Ambient Air Temperature for Operation	14...131 °F (-10...55 °C)
Pollution degree	2
Relative humidity	35...85 % without condensation
Vibration resistance	7 gn
IP degree of protection	Panel mounted IP65 EN/IEC 60529 Wall mounted IP20
Noise level	0...89 dB stop or suppress)1 m

Ordering and shipping details

Category	22617-XVC TOWER LIGHTS
Discount Schedule	XV
GTIN	3606480623813
Returnability	No

Packing Units

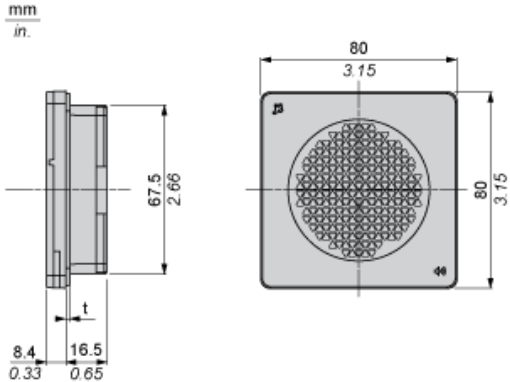
Unit Type of Package 1	PCE
Number of Units in Package 1	1
Package 1 Height	4.53 in (11.5 cm)
Package 1 Width	5.12 in (13.0 cm)
Package 1 Length	2.76 in (7.0 cm)
Package 1 Weight	11.22 oz (318.0 g)
Unit Type of Package 2	S02
Number of Units in Package 2	10
Package 2 Height	5.91 in (15 cm)
Package 2 Width	11.81 in (30 cm)
Package 2 Length	15.75 in (40 cm)
Package 2 Weight	8.01 lb(US) (3.635 kg)
Unit Type of Package 3	P06
Number of Units in Package 3	160
Package 3 Height	29.53 in (75 cm)
Package 3 Width	15.75 in (40 cm)
Package 3 Length	31.50 in (80 cm)

Package 3 Weight 167.29 lb(US) (75.88 kg)

Offer Sustainability

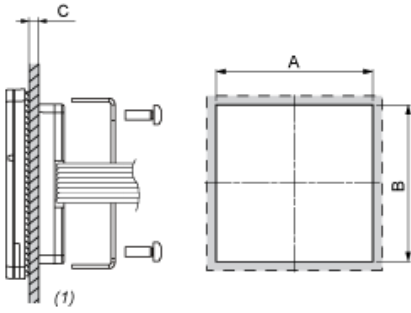
Sustainable offer status	Green Premium product
California proposition 65	WARNING: This product can expose you to chemicals including: Lead and lead compounds, which is known to the State of California to cause cancer and birth defects or other reproductive harm. For more information go to www.P65Warnings.ca.gov
REACH Regulation	REACH Declaration
EU RoHS Directive	Pro-active compliance (Product out of EU RoHS legal scope) EU RoHS Declaration
Mercury free	Yes
China RoHS Regulation	China RoHS declaration
RoHS exemption information	Yes
Environmental Disclosure	Product Environmental Profile
Circularity Profile	End of Life Information

Dimensions



(t) : Waterproof rubber (1.6 mm / 0.06 in.)

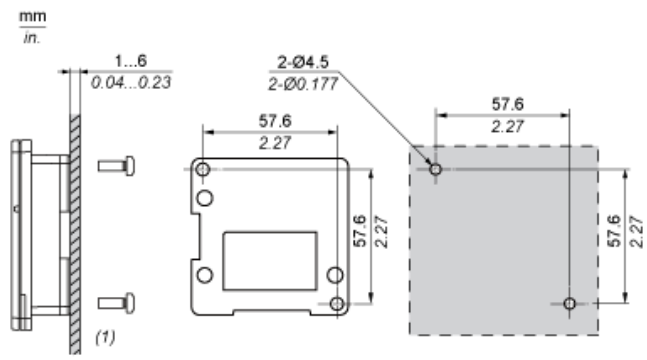
Panel Cut Dimensions



(1) Installation panel

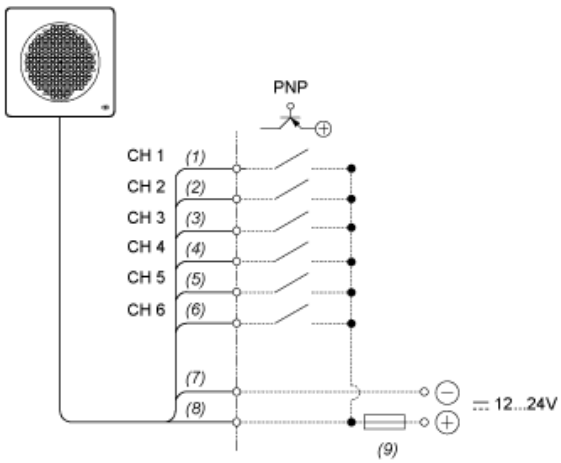
A	B	C
68 +0.5/0 mm (2.68 +0.0197/0 in.)	68 +0.5/0 mm (2.68 +0.0197/0 in.)	1...4 mm (0.04...0.15 in.)

Wall Mount Dimensions



(1) Installation panel

Wiring Diagram



- (1) Green
- (2) Yellow
- (3) Brown
- (4) Blue
- (5) Purple
- (6) Gray
- (7) Black
- (8) Red
- (9) Fuse (Rated current: 1 A)

Recommended replacement(s)