

Product data sheet

Specifications



Editible voice alarms, Harmony XVS, white, mounting 72mm DIN rail, NPN, 12...24V DC

XVSV7BWN

Product availability : Stock - Normally stocked in distribution facility

Main

| | |
|------------------------------------|---------------------------|
| Range of Product | Harmony XVS |
| Product or Component Type | Editible electronic alarm |
| Beacon or indicator bank unit type | Sound unit |
| Device short name | XVSV |

Complementary

| | |
|--|---|
| Color | White |
| Input type | Bit 6 channel input Binary 63 channel input |
| Assembly style | Ready assembled |
| Material | PC (polycarbonate) body PC (polycarbonate) back cover TPE (thermoplastic elastomer) front panel NBR (nitrile butadiene rubber) |
| Marking | CE |
| Overvoltage category | Class II EN/IEC 61140 |
| Mounting Support | 72 mm DIN rail |
| [Us] rated supply voltage | 12...24 V DC |
| [Ue] rated operational voltage | 10...30 V DC |
| [Ui] Rated Insulation Voltage | 250 V |
| Inrush current | 30 A |
| Associated fuse rating | 1 A |
| [Uimp] rated impulse withstand voltage | 2.5 kV IEC 60947-1 |
| Power Consumption in W | 1.8 W |
| Current consumption | 75 mA 24 V DC |
| Clamping Connection Capacity | $\leq 1 \times 1.5 \text{ mm}^2$ |
| Device Application | Subway Packaging Printing |
| Mounting diameter | 3.15 in (80 mm) |

| | |
|-------------------|------------------------|
| Width | 3.15 in (80 mm) |
| Height | 3.15 in (80 mm) |
| Depth | 0.98 in (24.9 mm) |
| Net Weight | 0.31 lb(US) (0.142 kg) |

Environment

| | |
|--|--|
| Discrete output type | NPN |
| Signalling type | Adjustable vocal sound |
| Standards | EN/IEC 60947-5-1 |
| Protective treatment | TC |
| Ambient Air Temperature for Storage | -4...140 °F (-20...60 °C) |
| Ambient Air Temperature for Operation | 14...131 °F (-10...55 °C) |
| Pollution degree | 2 |
| Relative humidity | 35...85 % without condensation |
| Vibration resistance | 7 gn |
| IP degree of protection | Panel mounted IP65 EN/IEC 60529 Wall mounted IP20 |
| Noise level | 0...89 dB stop or suppress)1 m |

Ordering and shipping details

| | |
|--------------------------|------------------------|
| Category | 22617-XVC TOWER LIGHTS |
| Discount Schedule | XV |
| GTIN | 3606480623820 |
| Returnability | No |

Packing Units

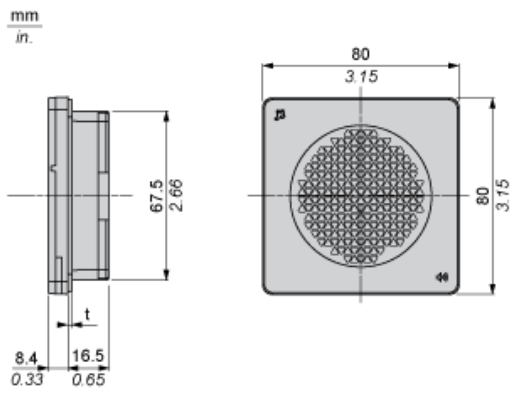
| | |
|-------------------------------------|------------------------|
| Unit Type of Package 1 | PCE |
| Number of Units in Package 1 | 1 |
| Package 1 Height | 2.64 in (6.7 cm) |
| Package 1 Width | 4.53 in (11.5 cm) |
| Package 1 Length | 5.12 in (13.0 cm) |
| Package 1 Weight | 10.97 oz (311.0 g) |
| Unit Type of Package 2 | S02 |
| Number of Units in Package 2 | 10 |
| Package 2 Height | 5.91 in (15.0 cm) |
| Package 2 Width | 11.81 in (30.0 cm) |
| Package 2 Length | 15.75 in (40.0 cm) |
| Package 2 Weight | 7.81 lb(US) (3.543 kg) |

Offer Sustainability

| | |
|----------------------------------|---|
| Sustainable offer status | Green Premium product |
| California proposition 65 | WARNING: This product can expose you to chemicals including: Lead and lead compounds, which is known to the State of California to cause cancer and birth defects or other reproductive harm. For more information go to www.P65Warnings.ca.gov |

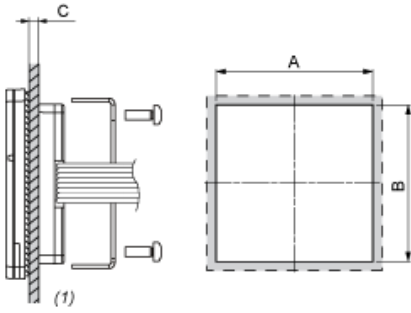
| | |
|-----------------------------------|---|
| REACH Regulation | REACH Declaration |
| EU RoHS Directive | Pro-active compliance (Product out of EU RoHS legal scope) EU RoHS Declaration |
| Mercury free | Yes |
| China RoHS Regulation | China RoHS declaration |
| RoHS exemption information | Yes |
| Environmental Disclosure | Product Environmental Profile |
| Circularity Profile | End of Life Information |

Dimensions



(t) : Waterproof rubber (1.6 mm / 0.06 in.)

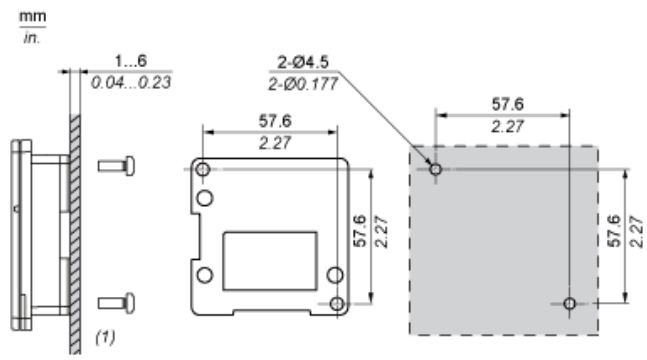
Panel Cut Dimensions



(1) Installation panel

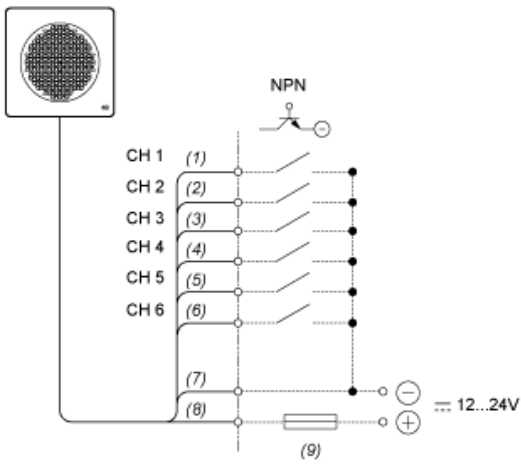
| A | B | C |
|-----------------------------------|-----------------------------------|----------------------------|
| 68 +0.5/0 mm (2.68 +0.0197/0 in.) | 68 +0.5/0 mm (2.68 +0.0197/0 in.) | 1...4 mm (0.04...0.15 in.) |

Wall Mount Dimensions



(1) Installation panel

Wiring Diagram



- (1) Green
- (2) Yellow
- (3) Brown
- (4) Blue
- (5) Purple
- (6) Gray
- (7) Black
- (8) Red
- (9) Fuse (Rated current: 1 A)

Recommended replacement(s)