

DWTC-16/4-X-STK ✓ ACTIVE

RAYCHEM | RAYCHEM DWTC

TE Internal #: 9998552005

Transparent, 4:1, Dual Wall Tubing, Shrinks To .157 in [4 mm],
Irradiated Modified Polyolefin, 16 mm [.63 in] Inner Diameter,
RAYCHEM DWTC

[View on TE.com >](#)



Heat Shrink Tubing



Primary Product Color: **Transparent**

Wall Type: **Dual Wall**

Expanded Inside Diameter (Min): **16 mm [.63 in]**

Recovered Inside Diameter (Max): **4 mm [.157 in]**

Shrink Ratio: **4:1**

Features

Product Type Features

Product Family	DWTC
Wall Type	Dual Wall

Body Features

Fluid Type	Antifreeze, Battery Acid, Diesel Fuel, Hydraulic Fluid, Lubricating Oil
Primary Product Color	Transparent
Shrink Ratio	4:1
Primary Product Material	Irradiated Modified Polyolefin
Flexibility	Flexible

Dimensions

Recovered Wall Thickness (Tolerance)	.28 mm[.011 in]
Cut Length	1220 mm[48.031 in]
Recovered Wall Thickness (Nominal)	1.47 mm[.058 in]
Expanded Inside Diameter (Min)	16 mm[.63 in]
Recovered Inside Diameter (Max)	4 mm[.157 in]
Heat Shrink Tubing Size Range	4 – 16 mm[.157 – .63 in]

Usage Conditions

Shrink Temperature (Min)	60 °C
--------------------------	-------



Fluid Resistance	Immersion Protection
Heat Shrink Tubing Flammability	Non-Flame-Retardant
Operating Temperature Range	-55 – 75 °C
Heat Shrink Tubing Resistance	Fluids, Impact, Mechanical Damage
Recovery Temperature	100 °C

Product Availability

Applicable Region	Global
-------------------	--------

Packaging Features

Packaging Method	Bag & Box
------------------	-----------

Other

Meets Low Outgassing Requirements	No
Product Source	Czech Republic

Product Compliance

[For compliance documentation, visit the product page on TE.com>](#)

EU RoHS Directive 2011/65/EU	Compliant
EU ELV Directive 2000/53/EC	Compliant
China RoHS 2 Directive MIIT Order No 32, 2016	No Restricted Materials Above Threshold
EU REACH Regulation (EC) No. 1907/2006	Current ECHA Candidate List: JAN 2023 (233) Candidate List Declared Against: JAN 2023 (233) Does not contain REACH SVHC
Halogen Content	BFR/CFR/PVC Free, but Br/Cl >900 ppm in other sources.
Solder Process Capability	Not applicable for solder process capability

Product Compliance Disclaimer

This information is provided based on reasonable inquiry of our suppliers and represents our current actual knowledge based on the information they provided. This information is subject to change. The part numbers that TE has identified as EU RoHS compliant have a maximum concentration of 0.1% by weight in homogenous materials for lead, hexavalent chromium, mercury, PBB, PBDE, DBP, BBP, DEHP, DIBP, and 0.01% for cadmium, or qualify for an exemption to these limits as defined in the Annexes of Directive 2011/65/EU (RoHS2). Finished electrical and electronic equipment products will be CE marked as required by Directive 2011/65/EU. Components may not be CE marked. Additionally, the part numbers that TE has identified as EU ELV compliant have a maximum concentration of 0.1% by weight in homogenous materials for lead, hexavalent chromium, and mercury, and 0.01% for cadmium, or qualify for an exemption to these limits as defined in the Annexes of Directive 2000/53/EC (ELV). Regarding the REACH Regulation, the information TE provides on SVHC in articles for this part number is based on the latest European Chemicals Agency (ECHA) 'Guidance on requirements for substances in articles' posted at this URL: <https://echa.europa.eu/guidance-documents/guidance-on-reach>

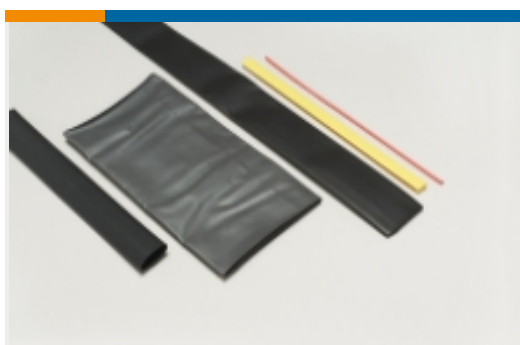


Compatible Parts



TE Part # EG1114-000
CV1981-ST-230V1600W-EU

Also in the Series | RAYCHEM DWTC

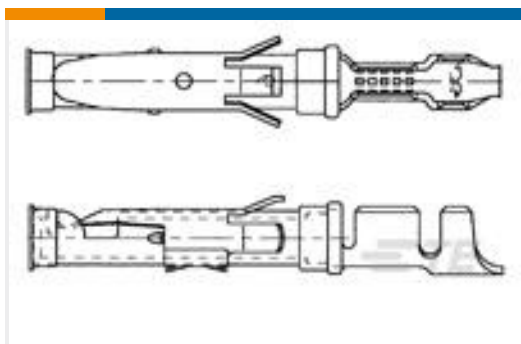


Heat Shrink Tubing(9)

Customers Also Bought



TE Part #2-1879455-9
TE 1500W 220R 5% Bracket



TE Part #163087-8
062 SOC.ASS. TYP3+



TE Part #5552631-1
KIT,HDW,BACK PNL MTG SCR LOCK



TE Part #CU7528-000
Thick-Wall Heat Shrink Tubing



TE Part #127794N001
302K466/S(S10)



TE Part #1337769-1
50 OHM COAX BNC STR PLUG STR P



TE Part #616545-000
SCTM-20/7-A/U-4(S25)

Documents

[Datasheets & Catalog Pages](#)

[Measuring_Single_Wall_Tubing](#)

English

[DWTC Pages from 9-1773447-9](#)



English

[Selecting_Correct_Tubing_1216](#)

English

Product Specifications

DWTC

English