

KT-VTLED44PS-4A-8CSA-VDIM

LED VAPORTIGHT FIXTURE

DESCRIPTION

4' LED Vaportight Fixture | 120–277V Input | Frosted Lens | 0–10V Dimming

APPLICATION

Used for commercial and industrial rugged or outdoor applications



PRODUCT FEATURES

- Features Keystone Color Select technology. Adjust CCT between 3500K, 4000K, or 5000K
- Features Keystone Power Select technology. Adjust power between 44W, 28W, and 18W
- Powered by Keystone 0–10V dimming LED drivers
- Traditional design, narrow body, Vapor Tight fixture, suitable for rugged, demanding applications
- Compatible with Keystone SmartSafe emergency LED drivers
- Compatible with Keystone occupancy sensors
- Ambient operating temperature: –20°C/–4°F to 50°C/122°F
- IP66, suitable for wet location
- ETL Sanitation Listed NSF/ANSI Standard 2 - Food Equipment, Splash Zone (Not for Direct Food Zone)
- THD: <20%
- Power factor >0.95

POWER AND COLOR TEMPERATURE SELECTABILITY

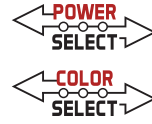
- Keystone Color Select Technology: Adjustable CCT (3500K/4000K/5000K)
- Keystone Power Select Technology: Adjustable Wattage (44W/28W/18W)

PRODUCT SPECIFICATIONS

Catalog Number	Input Voltage	Wattage	Color Temperature	Lumens	Efficacy	Rated Life	CRI	Power Factor
KT-VTLED44PS-4A-8CSA-VDIM*	120-277V	44W	3500K	5,764	131 lm/W	50,000 hrs	>80	>0.9
			4000K	5,808	132 lm/W			
			5000K	5,852	133 lm/W			
		28W	3500K	3,892	139 lm/W			
			4000K	3,920	140 lm/W			
			5000K	3,948	141 lm/W			
		18W	3500K	2,556	142 lm/W			
			4000K	2,574	143 lm/W			
			5000K	2,592	144 lm/W			

ONE CATALOG NUMBER WITH 9 DIFFERENT OPTIONS

* Preset to highest lumen output (44W / 5000K)
 * Color Uniformity: CCT (Correlated Color Temperature) range as per guidelines outlined in ANSI C78.377-2017.

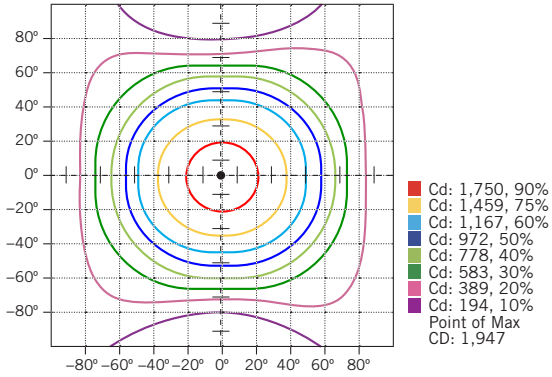


KT-VTLED44PS-4A-8CSA-VDIM

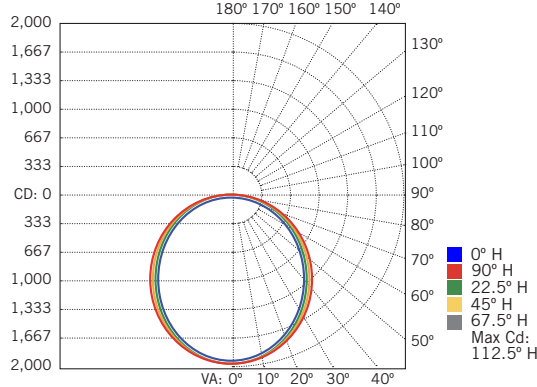
LED VAPORTIGHT FIXTURE

PHOTOMETRIC SPECIFICATIONS

ISOCANDELA PLOT



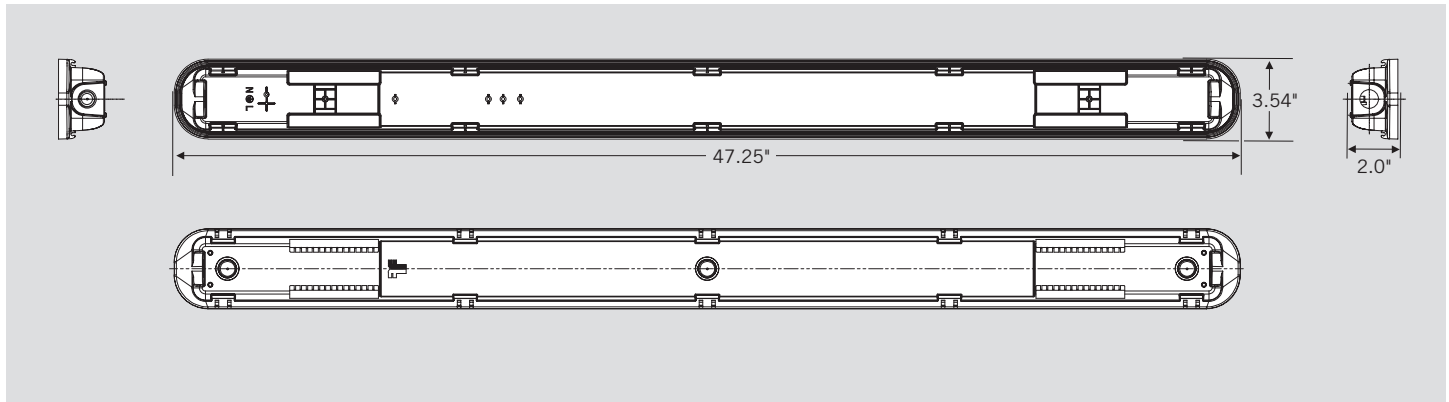
POLAR CANDELA DISTRIBUTION



ZONAL LUMEN SUMMARY

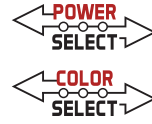
Zone	Lumens	% Luminaire
0-30	1,471.7	24.9%
0-40	2,389.2	40.4%
0-60	4,185.5	70.8%
60-90	1,430.6	24.2%
70-100	889.3	15.0%
90-120	258.3	4.4%
0-90	5,616.0	95.0%
90-180	293.3	5.0%
0-180	5,909.3	100%

PHYSICAL SPECIFICATIONS



ACCESSORIES (SOLD SEPARATELY)

Catalog Number	Description
KT-VTLED-45SM-1-KIT	45 Deg Surface Mounting Kit for LED Vapor Tight fixtures. Includes two brackets and 4 nuts and bolts
KT-VTLED-TPSCREW-KIT	Screw for tamper-proofing vapor tight fixture. Includes bag of 14 screws
KTS-MW3-UV-KO-K2	Microwave Sensor Kit, Includes 120-277V input to 12V DC convertor, IP65 12V input sensor head, nomex sleeve, extension neck
KT-EMRG-LED-5C-500	LED Emergency Back-Up, 5W Constant Wattage Design, Approx 500 lumens



KT-VTLED44PS-4A-8CSA-VDIM

LED VAPORTIGHT FIXTURE

ORDERING INFORMATION

Order Code	Pack Quantity	Easy Code	UPC
KT-VTLED44PS-4A-8CSA-VDIM	1	TFZ-02	843654134451

CATALOG NUMBER BREAKDOWN

KT-VTLED44PS-4A-8CSA-VDIM

1
2
3
4
5
6
7
8
9
10
11

- 1** Keystone Technologies
- 2** LED Vaportight Fixture
- 3** Wattage
- 4** Power Select
- 5** 4' Nominal Length
- 6** Lmap Type
- 7** 800 Series
- 8** Color Temperature
- 9** Color Select Designation
- 10** 0-10V Dimming
- 11** Additional Options

8 Color Temperature

40	4000K
50	5000K
CS	Color Select

9 Color Select Designation

A	3500K, 4000K, 5000K
B	3000K, 4000K, 5000K
C	3000K, 3500K, 4000K, 5000K

11 Additional Options

	No Option
/MW	Microwave Occupancy Sensor Installed