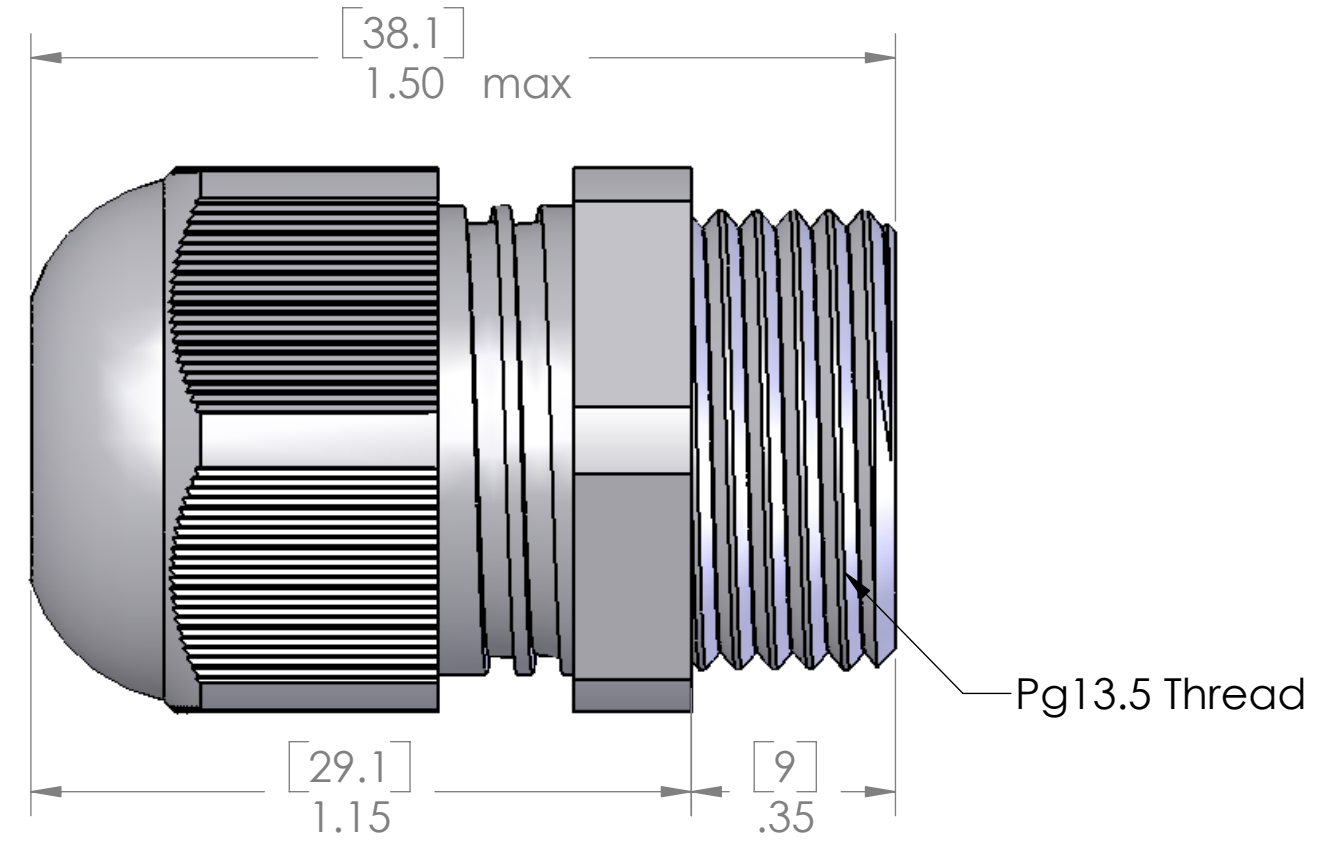
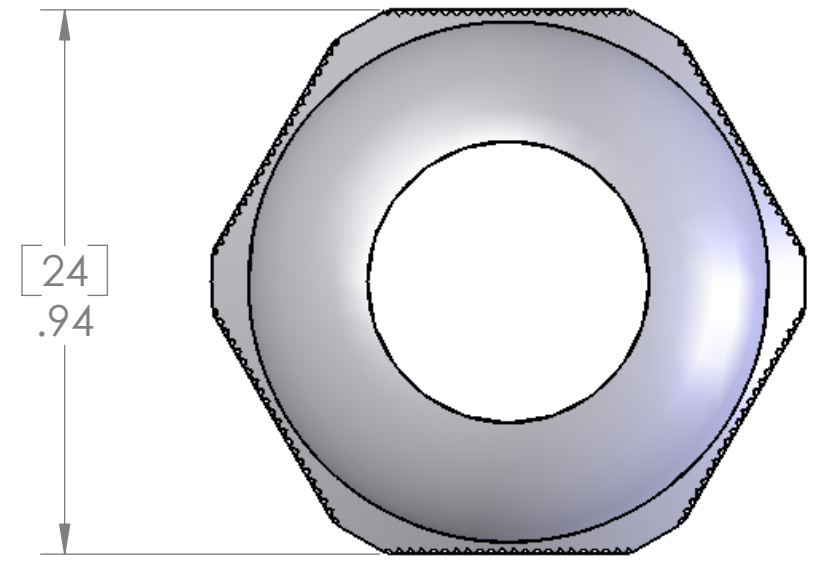


REVISIONS		
REV.	DESCRIPTION	DATE
A	REDRAWN IN SW	2/25/2005



LOCK NUT INCLUDED BUT NOT SHOWN

NO O-RING IS NECESSARY TO OBTAIN IP68 SEAL. CRUSH RIBS ON THE UNDERSIDE OF HEX WILL PROVIDE THE SEAL.

<b>MATERIALS</b>	
<b>BODY:</b>	<b>GRAY OR BLACK POLYAMIDE</b>
<b>GROMMET:</b>	<b>NEOPRENE</b>

<b>SPECIFICATIONS:</b>	
<b>TIGHTENING TORQUE:</b>	<b>3.75 Nm</b>
<b>TEMPERATURE:</b>	<b>-20°C - +100°C</b>

PART NUMBER	COLOR	SEALING RANGE
<b>PCG-13.5</b>	<b>GRAY</b>	<b>6-12mm</b>
<b>PCG-13.5R</b>	<b>GRAY</b>	<b>5-9mm</b>
<b>PCG-13.5-B</b>	<b>BLACK</b>	<b>6-12mm</b>
<b>PCG-13.5R-B</b>	<b>BLACK</b>	<b>5-9mm</b>

<b>APPROVALS:</b>	
<b>US</b>	<b>UL RECOGNIZED</b>
<b>CANADA</b>	<b>C-UL RECOGNIZED</b>

SEAL RATED TO: IP68

**PROPRIETARY AND CONFIDENTIAL**  
 THE INFORMATION CONTAINED IN THIS DRAWING IS THE SOLE PROPERTY OF MENCOM CORPORATION. ANY REPRODUCTION IN PART OR AS A WHOLE WITHOUT THE WRITTEN PERMISSION OF MENCOM CORPORATION IS PROHIBITED.

UNLESS OTHERWISE SPECIFIED:  
 DIMENSIONS ARE IN INCHES

MATERIAL

FINISH

SPECIFICATIONS

DO NOT SCALE DRAWING

NAME	BEM
DRAWN	
CHECKED	
ENG APPR.	
MFG APPR.	
Q.A.	
COMMENTS:	

MENCOM CORPORATION		
TITLE:		
SIZE	DWG. NO.	REV
<b>B</b>	PCG-13.5	<b>A</b>
SCALE: 3:1	WEIGHT:	SHEET 1 OF 1