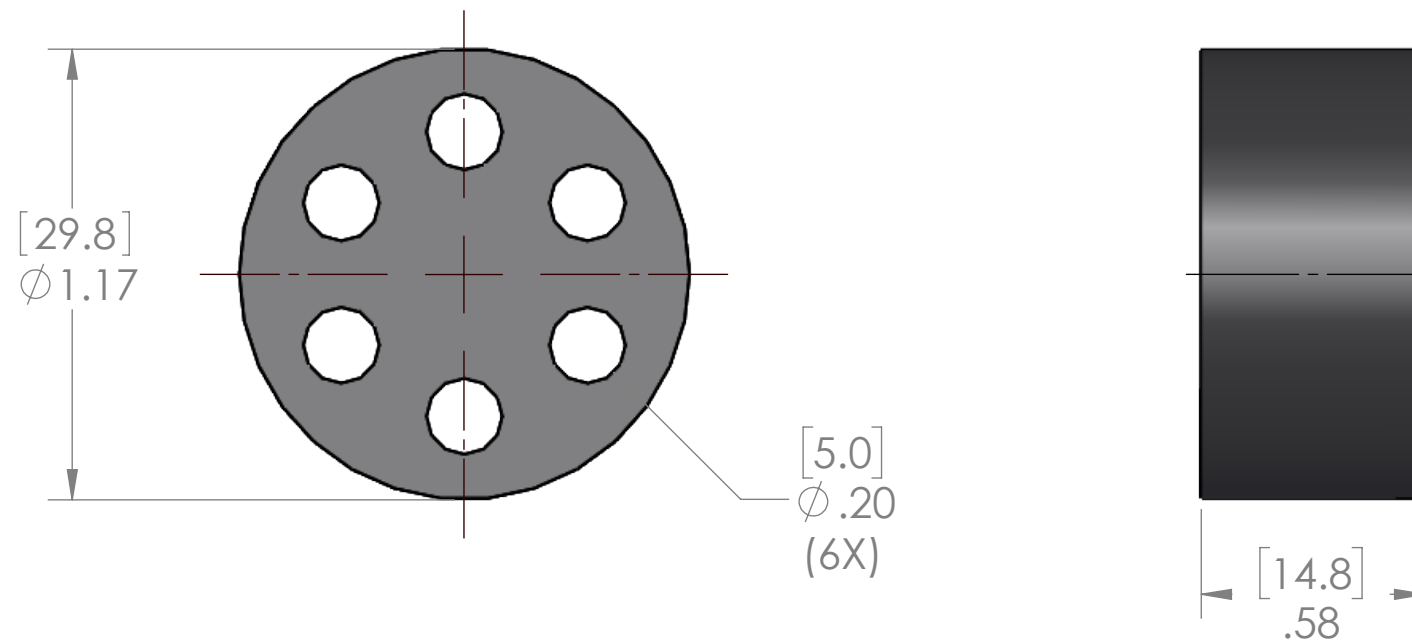


Revisions			
REV.	DESCRIPTION	DATE	DRAWN BY
A	RELEASED	4/26/2023	DCG



CAN BE USED IN:

- MCG-29
- MCG-29R
- PCG-29
- PCG-29-B
- PCG-29R
- PCG-29R-B
- PCG-1.0
- PCG-1.0-B
- PCG-1.0R
- PCG-1.0R-B
- PCG-M32
- PCG-M32-B

MATERIAL: TPE

TO OBTAIN IP65 SEAL IN ONE OF THE LISTED CABLE GLANDS, THE O.D. OF THE CABLE MUST BE WITHIN .02" [0.5MM] OF THE HOLE DIAMETERS

PROPRIETARY AND CONFIDENTIAL
 THE INFORMATION CONTAINED IN THIS DRAWING IS THE SOLE PROPERTY OF MENCOM CORPORATION. ANY REPRODUCTION IN PART OR AS A WHOLE WITHOUT THE WRITTEN PERMISSION OF MENCOM CORPORATION IS PROHIBITED.

UNLESS OTHERWISE SPECIFIED: DIMENSIONS ARE IN INCHES AND [MM]	DRAWN BY	DCG
	DRAWN DATE	04/26/2023
	CHECKED BY	JJH
	CHECK DATE	04/26/2023
COMMENTS:		
MATERIAL		
FINISH		
DO NOT SCALE DRAWING		

MENCOM CORPORATION		
TITLE: PG29-6X5		
SIZE B	DWG. NO. PG29-6X5	REV A
SCALE: 4:1	WEIGHT:	SHEET 1 OF 1