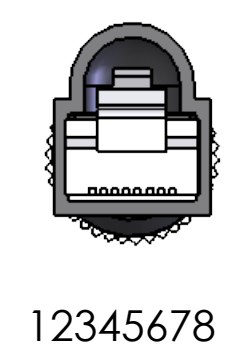
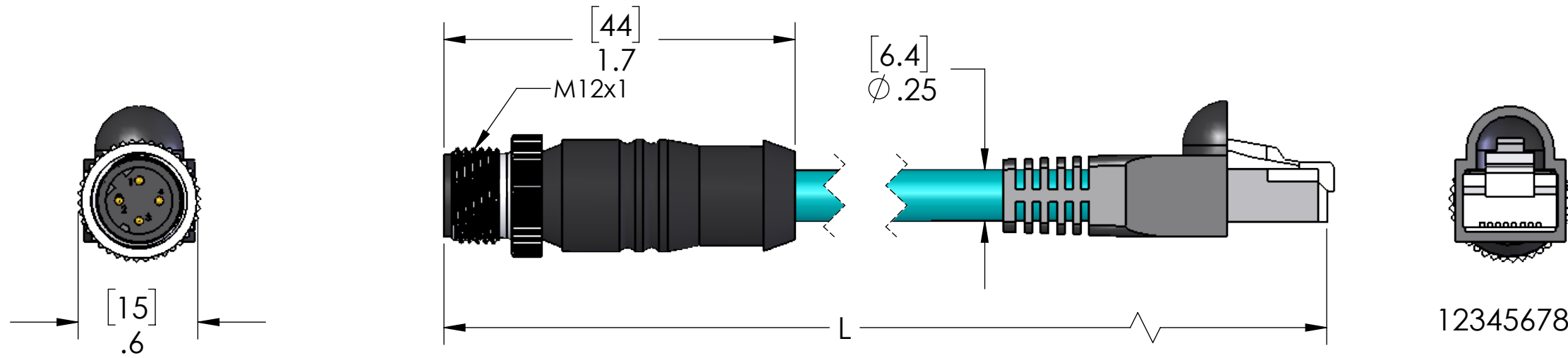


MDE45		RJ45
PIN #	COLOR	PIN #
1	WHITE w/ORANGE	1
2	WHITE w/GREEN	3
3	ORANGE	2
4	GREEN	6



P/N	L
MDE45PB-4MP-RJ45-0.5M	20" [0.5m]
MDE45PB-4MP-RJ45-1M	40" [1m]
MDE45PB-4MP-RJ45-1.5M	59" [1.5m]
MDE45PB-4MP-RJ45-2M	79" [2m]
MDE45PB-4MP-RJ45-3M	118" [3m]
MDE45PB-4MP-RJ45-4M	157" [4m]
MDE45PB-4MP-RJ45-5M	197" [5m]
MDE45PB-4MP-RJ45-6M	236" [6m]
MDE45PB-4MP-RJ45-8M	315" [8m]
MDE45PB-4MP-RJ45-10M	393" [10m]
MDE45PB-4MP-RJ45-15M	590" [15m]
MDE45PB-4MP-RJ45-20M	786" [20m]

MATERIALS:	
BODY:	BLACK PUR
INSERT:	BLACK POLYAMIDE
COUPLING:	NICKEL PLATED BRASS
CONTACTS:	GOLD PLATED COPPER ALLOY
CABLE:	2 PL 26 AWG CAT 5e TEAL PUR JKT , BRD SHLD

APPROVALS:	
US:	UL LISTED
CANADA:	C-UL LISTED

PROPRIETARY AND CONFIDENTIAL
 THE INFORMATION CONTAINED IN THIS DRAWING IS THE SOLE PROPERTY OF MENCOM CORPORATION. ANY REPRODUCTION IN PART OR AS A WHOLE WITHOUT THE WRITTEN PERMISSION OF MENCOM CORPORATION IS PROHIBITED.

VOLTS	42VDC
AMPS	1.5A
TEMP:	80°C

UNLESS OTHERWISE SPECIFIED:	DRAWN BY	JJH
DIMENSIONS ARE IN INCHES AND [MM]	DRAWN DATE	12/07/2018
	CHECKED BY	JJH
	CHECK DATE	12/07/2018
MATERIAL	COMMENTS:	
FINISH		
DO NOT SCALE DRAWING		

MENCOM CORPORATION		
TITLE:		
SIZE	DWG. NO.	REV
B	MDE45PB-4MP-RJ45-ZZ	B
SCALE: 3:2	WEIGHT:	SHEET 1 OF 1