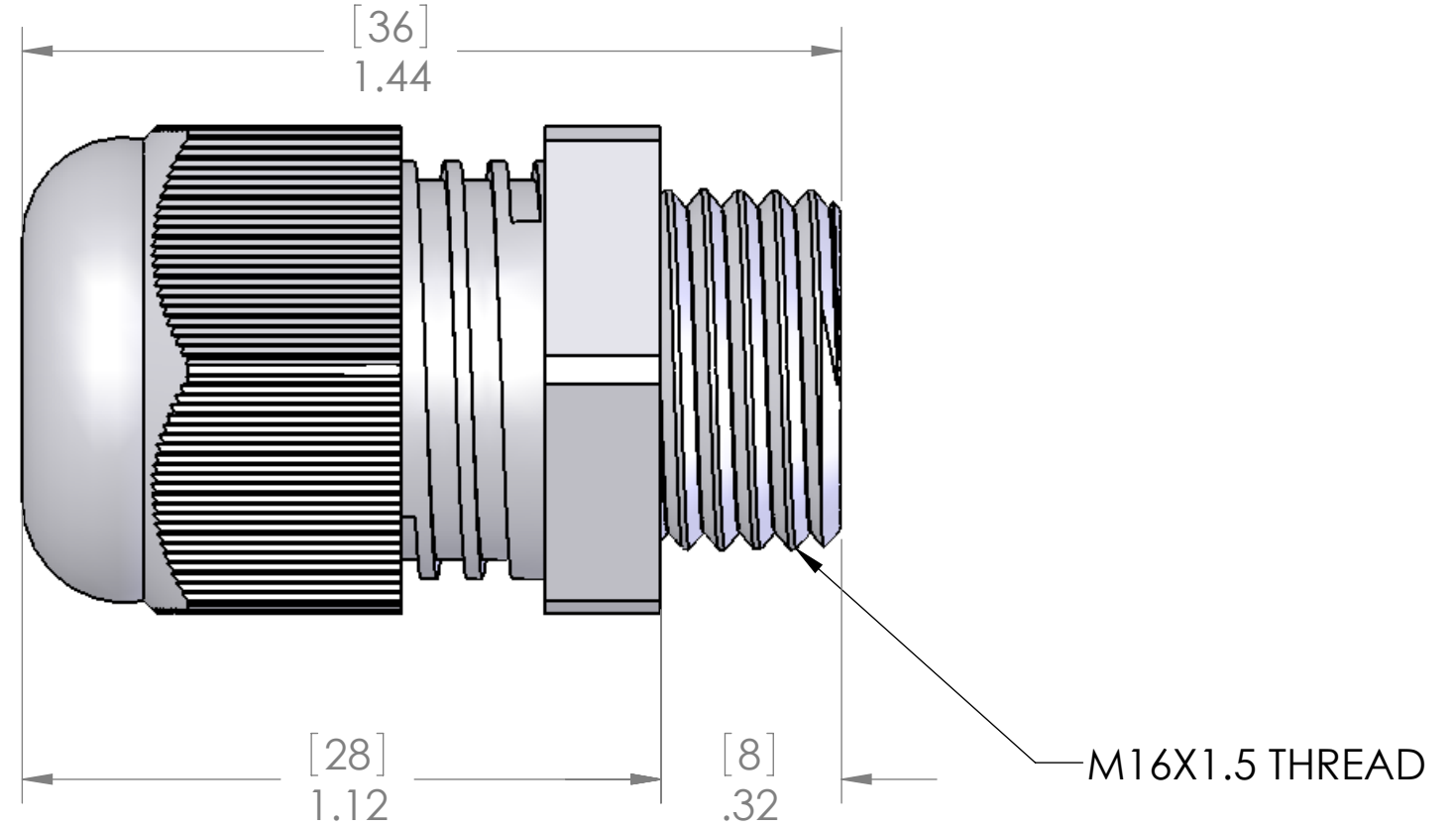
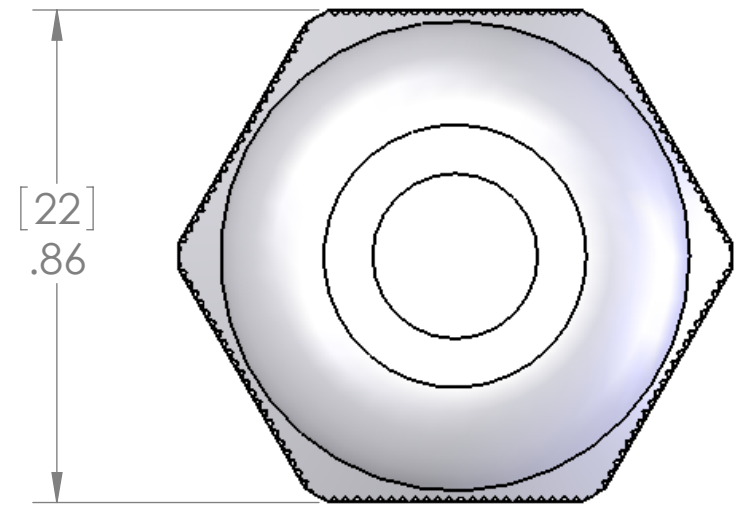


REVISIONS		
REV.	DESCRIPTION	DATE
A	REDRAWN IN SW	7/23/2008



2M16PA LOCK NUT INCLUDED BUT NOT SHOWN FOR CLARITY

NO O-RING IS NECESSARY TO OBTAIN IP68 SEAL. CRUSH RIBS ON THE UNDERSIDE OF HEX WILL PROVIDE THE SEAL.

<b>MATERIALS</b>	
<b>BODY:</b>	<b>GRAY POLYAMIDE</b>
<b>GROMMET:</b>	<b>NEOPRENE</b>

<b>SPECIFICATIONS:</b>	
<b>TIGHTENING TORQUE:</b>	<b>3.75 Nm</b>
<b>TEMPERATURE:</b>	<b>-20°C - +100°C</b>

<b>APPROVALS:</b>	
<b>US</b>	<b>UL RECOGNIZED</b>
<b>CANADA</b>	<b>C-UL RECOGNIZED</b>

PART NUMBER	COLOR	SEALING RANGE
<b>PCG-M16R</b>	<b>GRAY</b>	<b>3-7mm</b>
<b>PCG-M16R-B</b>	<b>BLACK</b>	<b>3-7mm</b>

UNLESS OTHERWISE SPECIFIED:  
 DIMENSIONS ARE IN INCHES AND [MM]  
 MATERIAL  
 FINISH  
 DO NOT SCALE DRAWING

NAME	MENCOM CORPORATION	
DRAWN	CAM	TITLE:
CHECKED		
ENG APPR.		
MFG APPR.		
Q.A.		
COMMENTS:		
SIZE	DWG. NO.	REV
<b>B</b>	PCG-M16R	<b>A</b>
SCALE: 3:1	WEIGHT:	SHEET 1 OF 1

**PROPRIETARY AND CONFIDENTIAL**  
 THE INFORMATION CONTAINED IN THIS DRAWING IS THE SOLE PROPERTY OF MENCOM CORPORATION. ANY REPRODUCTION IN PART OR AS A WHOLE WITHOUT THE WRITTEN PERMISSION OF MENCOM CORPORATION IS PROHIBITED.

8 7 6 5 4 3 2 1

D

D

C

C

B

B

A

A

8 7 6 5 4 3 2 1