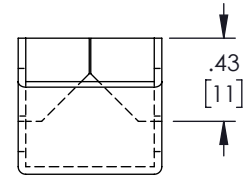
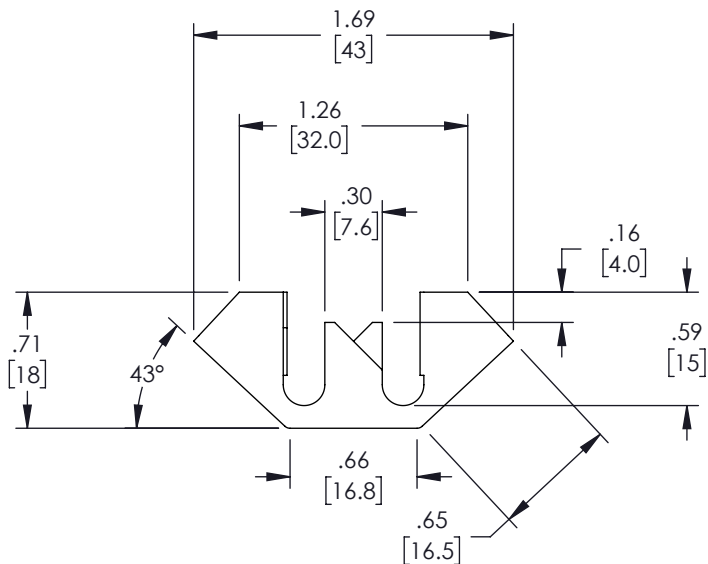
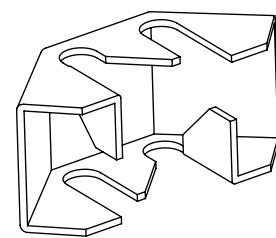
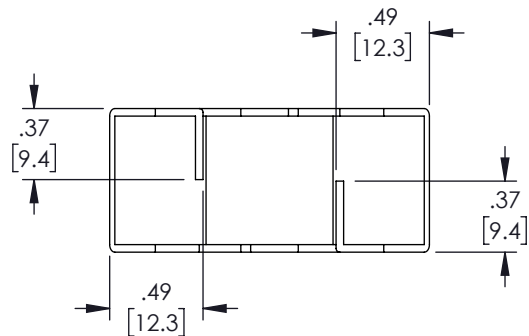


THE INFORMATION CONTAINED IN THIS DRAWING IS THE SOLE PROPERTY OF L-COM, INC. ANY REPRODUCTION IN PART OR WHOLE WITHOUT THE WRITTEN PERMISSION OF L-COM, INC. IS PROHIBITED.

REVISIONS			
REV.	DESCRIPTION	DATE	APPROVED
A	INITIAL RELEASE	02/14/2022	WDIBELLA

D
C
B
A

D
C
B
A



NOTES:

1. ALL DIMENSIONS ARE FOR REFERENCE ONLY.
2. ZINC PLATING THICKNESS $\geq 6 \mu\text{m}$.

<p>UNLESS OTHERWISE SPECIFIED, DIMENSIONS ARE IN INCHES [mm]</p> <p>OVERALL CABLE LENGTH TOLERANCE: ≤ 12 [305] = +1 [25] / -0 > 12 [305] ≤ 60 [1524] = +2 [51] / -0 > 60 [1524] ≤ 120 [3048] = +4 [102] / -0 > 120 [3048] ≤ 300 [7620] = +6 [152] / -0 > 300 [7620] = +5% / -0</p> <p>ALL OTHER DIMENSIONAL TOLERANCES: .X = $\pm .2$ [5] FRACTIONS $\pm 1/32$.XX = $\pm .02$ [.5] ANGLES $\pm 1^\circ$.XXX = $\pm .005$ [.13]</p> <p>THIRD-ANGLE PROJECTION</p>	<p>APPROVALS</p> <p>DATE</p>	<p>50 High Street, West Mill, North Andover, MA 01845 USA. Phone: 1.800.341.5266 1.978.682.6936</p>	
	<p>DRAWN BY DZINN</p> <p>CHECKED BY VCHAN</p> <p>APPROVED BY WDIBELLA</p>		<p>02/17/2022</p> <p>02/28/2022</p> <p>02/28/2022</p>
	<p>CONFIGURATION DETAILS OF UNDIMENSIONED FEATURES MAY VARY</p>		
	<p>COLOR VARIATIONS MAY OCCUR</p>		
<p>CATEGORY</p> <p>RACK ACCESSORIES</p>		<p>PRODUCT DESCRIPTION</p> <p>FAST LOCK COUPLER</p>	
<p>SIZE A CAGE CODE 43321 ITEM NO. LC-FLK</p>			
<p>SCALE: NONE CAD FILE: LC-FLK.SLDDRW</p>		<p>SHEET 1 OF 1</p>	