

## Data Surge Protector SPD TCP Indoor CCTV BNC SASD



### 1101-810 TCP CCTV MF

#### Features

- 100% SASD Protection
- BNC Connectors

#### Applications

- CCTV Networks
- Telecommunications Base Stations
- WISP/ISP
- IT & Data Centers
- Point-to-Point Links
- Control Lines and Sense Loops
- Oil & Gas

#### Description

Data surge protector (also known as SPD or lightning protector) 1101-810 from Transtector is an indoor style SPD that utilizes state of the art SASD technology to protect critical equipment in CCTV protocol data networks while remaining transparent to data throughput. This surge protector provides effective protection against electrical transient surges that are generated both by external lightning events and by internal switching events and supports long-term system reliability by absorbing high amounts of transient energy while maintaining a very low clamping voltage. Transtector Data Signal surge protectors are available in stock with same day shipping.

#### Electrical Specifications

Description	Minimum	Typical	Maximum	Units
Connectors		BNC		
Data Protocols		CCTV		
Vdc Rating (Data)		7.5	10	Vdc

#### Surge Protection Specification

Description	Minimum	Typical	Maximum	Units
Surge Protection Technology		SASD		
Protection Modes		T-R, R-G		
10/1000 $\mu$ s Surge Current				
L-G			100	A
8/20 $\mu$ s Surge Current				
L-G			0.5	kA

Click the following link (or enter part number in "SEARCH" on website) to obtain additional part information including price, inventory and certifications:  
[Data Surge Protector SPD TCP Indoor CCTV BNC SASD 1101-810](#)

## Data Surge Protector SPD TCP Indoor CCTV BNC SASD



### 1101-810 TCP CCTV MF

Vpl 10/1000µs			
L-G	20 @ 100A		Vpk
Vpl 8/20µs			
L-G	20 @ 500A		Vpk
Response Time		5	ns

### Mechanical Specifications

#### Size

Height	3.37 in	[85.6 mm]
Width	0.62 in	[15.75 mm]
Depth	0.67 in	[17.02 mm]
Weight	0.1 lbs	[45.36 g]

### Environmental Specifications

#### Temperature

Operating Range	-20 to +65 deg C
Storage Range	-20 to +65 deg C

### Installation

Mount Type	In Line
------------	---------

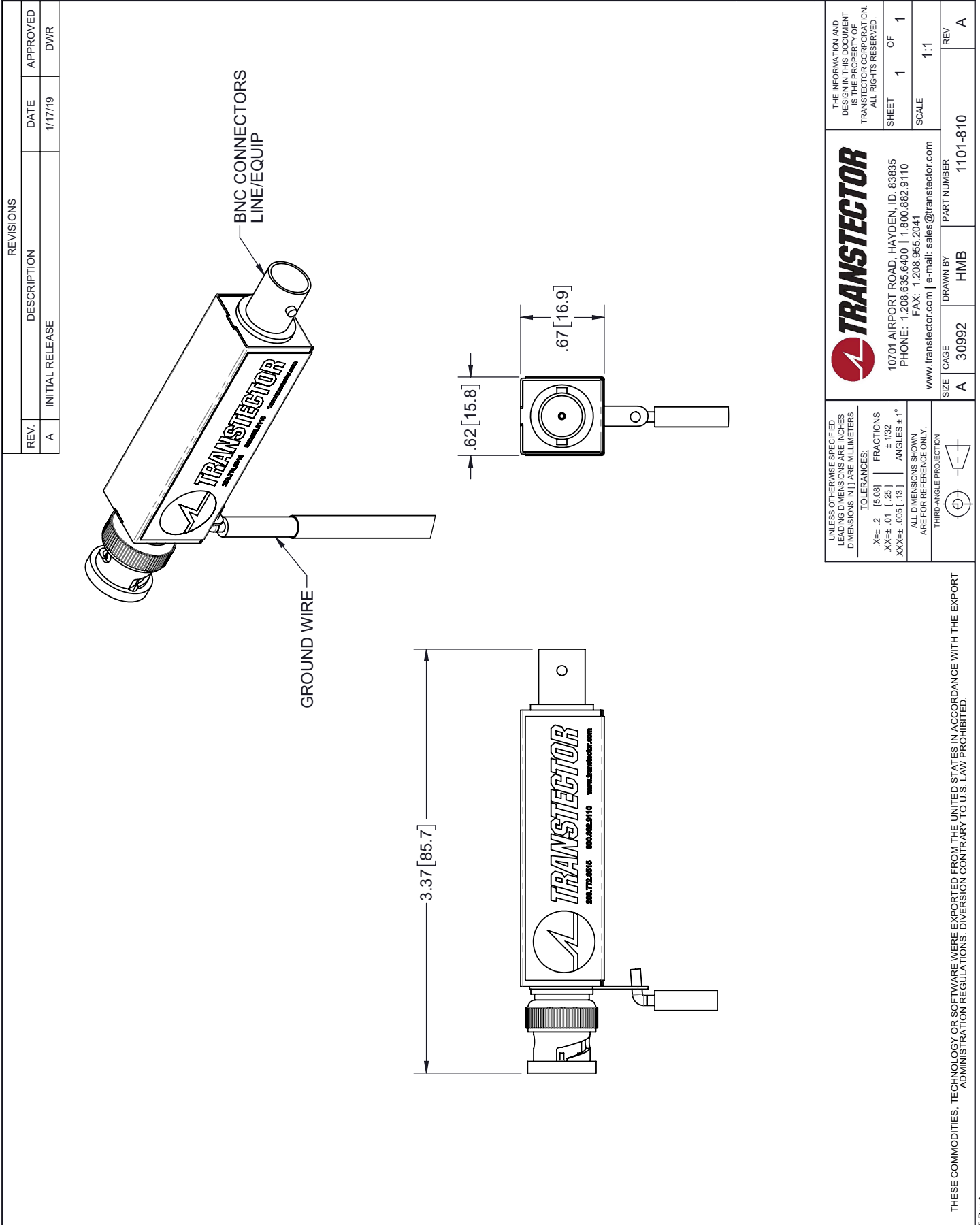
Transtector Systems specializes in protection of highly sensitive, low voltage equipment through its patented, non-degrading silicon diode technology and custom filters. Our power quality expertise translates into a diverse product offering including AC, DC, and signal applications as well as integrated cabinets, power distribution panels and EMP hardened devices.

Click the following link (or enter part number in "SEARCH" on website) to obtain additional part information including price, inventory and certifications: [Data Surge Protector SPD TCP Indoor CCTV BNC SASD 1101-810](#)

URL: <https://www.transtector.com/data-surge-protector-spd-tcp-indoor-cctv-1101-810-p.aspx>

The information contained in this document is accurate to the best of our knowledge and representative of the part described herein. It may be necessary to make modifications to the part and/or the documentation of the part, in order to implement improvements. Transtector reserves the right to make such changes as required. Unless otherwise stated, all specifications are nominal. Transtector does not make any representation or warranty regarding the suitability of the part described herein for any particular purpose, and Transtector does not assume any liability arising out of the use of any part or documentation.

1101-810 CAD Drawing



REVISIONS			
REV.	DESCRIPTION	DATE	APPROVED
A	INITIAL RELEASE	1/17/19	DWR

UNLESS OTHERWISE SPECIFIED LEADING DIMENSIONS ARE INCHES DIMENSIONS IN [ ] ARE MILLIMETERS TOLERANCES: .X±.2 [5.08] FRACTIONS ± 1/32 .XX±.01 [.25] ANGLES ± 1° XXX±.005 [.13]		THE INFORMATION AND DESIGN IN THIS DOCUMENT IS THE PROPERTY OF TRANSTECTOR CORPORATION. ALL RIGHTS RESERVED. SHEET 1 OF 1 SCALE 1:1	
ALL DIMENSIONS SHOWN ARE FOR REFERENCE ONLY. THIRD-ANGLE PROJECTION		TRANSTECTOR 10701 AIRPORT ROAD, HAYDEN, ID. 83835 PHONE: 1.208.635.6400   1.800.882.9110 FAX: 1.208.955.2041 www.transtector.com   e-mail: sales@transtector.com	
SIZE	CAGE	DRAWN BY	PART NUMBER
A	30992	HMB	1101-810
			REV A

THESE COMMODITIES, TECHNOLOGY OR SOFTWARE WERE EXPORTED FROM THE UNITED STATES IN ACCORDANCE WITH THE EXPORT ADMINISTRATION REGULATIONS. DIVERSION CONTRARY TO U.S. LAW PROHIBITED.

T-Rev.A