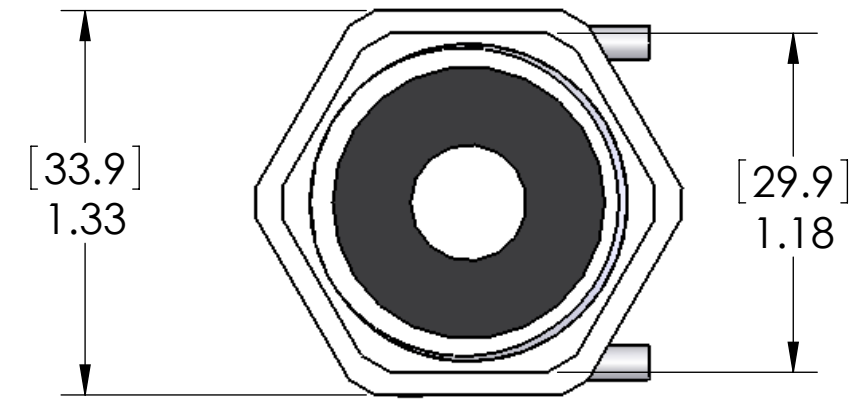
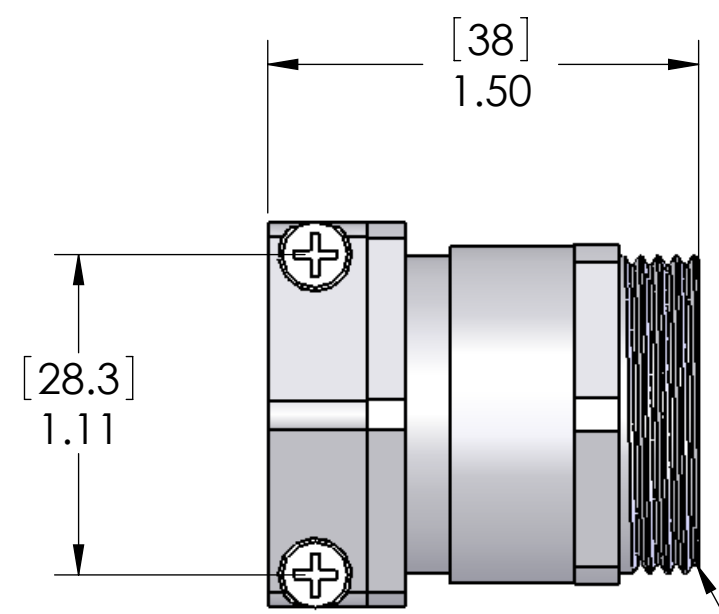
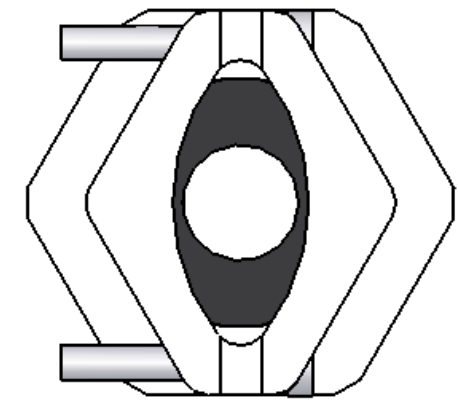


REVISIONS			
REV.	DESCRIPTION	DATE	APPROVED
A	REDRAWN IN SW	7/31/2006	



SEALING RANGE: 0.472" - 0.748" [12 - 19]

GLAND BOLT:	NICKEL PLATED BRASS
RINGS:	ZINC PLATED STEEL
GROMMET:	PLASTICIZED RUBBER

**PROPRIETARY AND CONFIDENTIAL**  
 THE INFORMATION CONTAINED IN THIS DRAWING IS THE SOLE PROPERTY OF MENCOM CORPORATION. ANY REPRODUCTION IN PART OR AS A WHOLE WITHOUT THE WRITTEN PERMISSION OF MENCOM CORPORATION IS PROHIBITED.

UNLESS OTHERWISE SPECIFIED:		NAME
DIMENSIONS ARE IN INCHES AND [MM]		DWM
MATERIAL		
FINISH		
DO NOT SCALE DRAWING		
DRAWN	CHECKED	ENG APPR.
MFG APPR.	Q.A.	COMMENTS:

MENCOM CORPORATION		
TITLE:		
SIZE	DWG. NO.	REV
<b>B</b>	CRSS-21	<b>A</b>
SCALE: 3:2	WEIGHT:	SHEET 1 OF 1