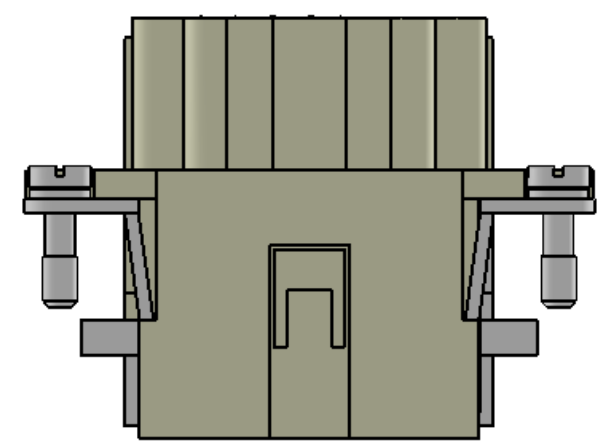
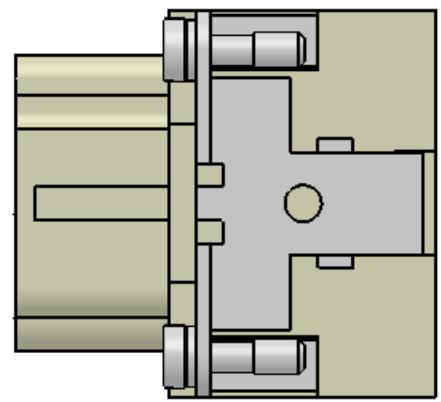
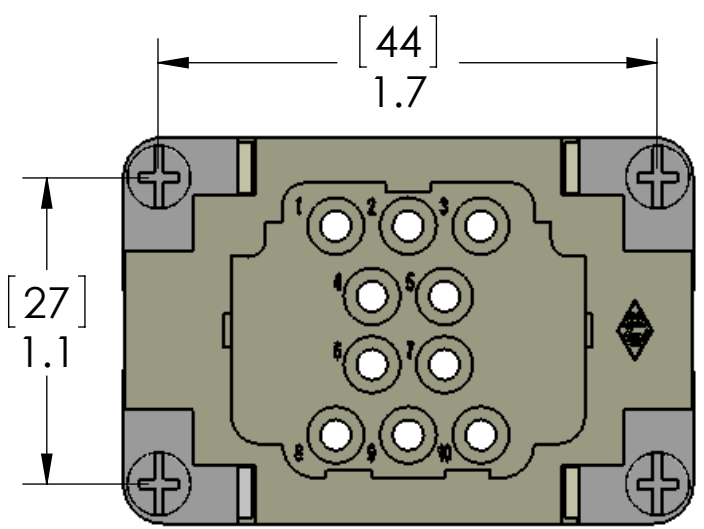


REVISIONS

REV.	DESCRIPTION	DATE	APPROVED
A	REDRAWN IN SW	5/20/2016	



CRIMP PINS ORDERED SEPERATELY	
CRIMP PIN P/N	WIRE AWG
CCFA-0.3	22-26
CCFA-0.5	18-20
CCFA-1.0	18
CCFA-1.5	16
CCFA-2.5	14
CCFA-4.0	12

MATERIALS	
HOUSING:	GLASS REINFORCED THERMOPLASTIC
	NICKEL PLATED BRASS HARDWARE
SCREWS:	NICKEL PLATED BRASS
RATINGS:	UL - 600V, 16A. EN 500V/6kV/3, 16A
APPROVALS:	UL & CSA

PROPRIETARY AND CONFIDENTIAL
 THE INFORMATION CONTAINED IN THIS DRAWING IS THE SOLE PROPERTY OF MENCOM CORPORATION. ANY REPRODUCTION IN PART OR AS A WHOLE WITHOUT THE WRITTEN PERMISSION OF MENCOM CORPORATION IS PROHIBITED.

UNLESS OTHERWISE SPECIFIED:		NAME
DIMENSIONS ARE IN INCHES AND [MM]		BEM
		DRAWN
		CHECKED
		ENG APPR.
		MFG APPR.
		Q.A.
		COMMENTS:
MATERIAL		
FINISH		
DO NOT SCALE DRAWING		

MENCOM CORPORATION

TITLE:
10 PL FEM CRIMP INSERT

SIZE	DWG. NO.	REV
B	CQEF-10	A
SCALE: 3:2	WEIGHT:	SHEET 1 OF 1