

SAFETY ORGANIZATIONS

THIS FILTER HAS BEEN FORMALLY RECOGNIZED, CERTIFIED OR APPROVED BY THE LISTED AGENCY. THEREFORE, ALL TEST/REQUIREMENTS SPECIFIED IN THE LATEST REVISION OF THE FOLLOWING AGENCY STANDARDS HAVE BEEN MET:

OPERATING SPECIFICATIONS

LINE CURRENT/VOLTAGE: 3 AMP, 60VDC

OPERATING AMBIENT TEMP. RANGE: -10°C TO +60°C @ RATED CURRENT, I_r.

IN AN AMBIENT, T₀, HIGHER THAN 60°C, THE MAXIMUM OPERATING CURRENT, I₀, IS AS FOLLOWS:

$$I_0 = I_r \sqrt{\frac{65 - T_0}{25}}$$

RELIABILITY SPECIFICATIONS:

STORAGE TEMPERATURE: -40°C TO +85°C
 HUMIDITY: 21 DAYS @ 40°C 95% RH.
 CURRENT OVERLOAD TEST: 6 TIMES I_r FOR 8 SECONDS

TEST SPECIFICATIONS:

INDUCTANCE: 34.32 mH NOMINAL
 CAPACITANCE: (MEASURED @ 1KHz, 0.250VAC MAX., 25°C±1°C)
 LINE TO GROUND: 9 μF±20%
 LINE TO LINE: 3282.3 μF±20%
 DISCHARGE RESISTOR: 10K Ω
 L/G AND L/L T.R.
 NO DISCHARGE RESISTOR: 6000Ω (MIN.) @ 100VDC, 20°C AND 50% RH

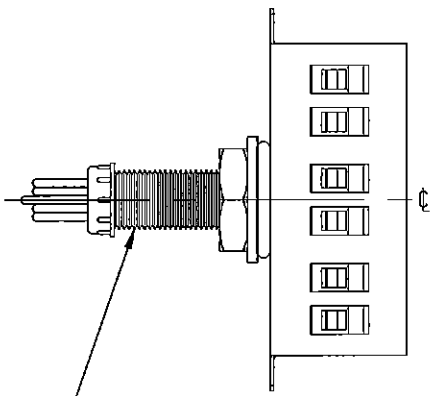
RECOMMENDED RECEIVING INSPECTION HIPOT:

LINE TO GROUND: 100 VDC FOR 1 MINUTE CAUTION: THIS UNIT USES
 LINE TO LINE: 100 VDC FOR 1 MINUTE POLARIZED CAPACITORS

FILTER APPROVAL:

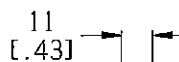
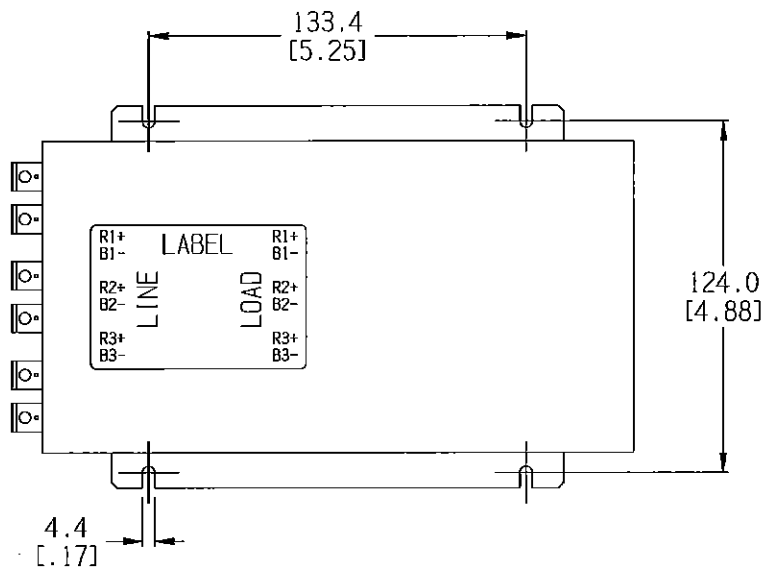
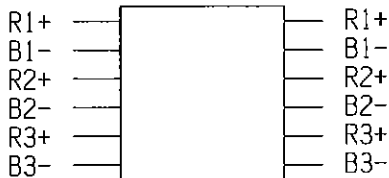
THE BEST WAY TO SELECT AND QUALIFY A FILTER IS FOR YOUR ENGINEERING TO TEST THE UNIT IN YOUR EQUIPMENT.

CUSTOMER DRAWING		
CATALOG # MR133100W		
ECN#	APPRVD	DATE
/	/	/



1/2" NPSM THREADED CONDUIT SUPPLIED WITH GASKET, WASHER AND MOUNTING NUT

ELECTRICAL SCHEMATIC



TERMINAL BLOCK ACCEPTS #12 AWG STRANDED WIRE. STRIP LENGTH 0.315". TORQUE: 0.8Nm (5.31 IN-LB) (MIN). (6 PLACES)

WIRES INDIVIDUALLY LABELED

18" LONG FROM END OF PIPE
 18 AWG (6 PLCS)

50 Ω - 50 Ω (MINIMUM) INSERTION LOSS												
FREQUENCY	10 kHz	50 kHz	100 kHz	500 kHz	1 MHz	5 MHz	10 MHz	50 MHz	100 MHz	500 MHz	1 GHz	/
COMMON dB	90	100	100	100	100	100	100	100	100	100	100	/
DIFF. dB	90	100	100	100	100	100	100	100	100	100	100	/
SHEET SIZE	THIS INFORMATION IS CONFIDENTIAL AND PROPRIETARY TO TYCO ELECTRONICS CORPORATION AND ITS WORLDWIDE SUBSIDIARIES AND AFFILIATES. IT MAY NOT BE DISCLOSED TO ANYONE OTHER THAN TYCO ELECTRONICS PERSONNEL, WITHOUT WRITTEN AUTHORIZATION FROM TYCO ELECTRONICS CORPORATION. (www.TE.com)											

PARTS SHALL COMPLY WITH TYCO ELECTRONICS 138-702 SPECIFICATION FOR HAZARDOUS SUBSTANCES UNLESS OTHERWISE SPECIFIED TOLERANCE TO BE ±1.5 [.06] MATERIAL & FINISH: AS SUPPLIED DIMENSIONS IN MILLIMETERS		TE Connectivity	
NOTES: CAUTION: THIS UNIT USES POLARIZED CAPACITORS		MRI FILTER	
TE PART NO.: 1-1609091-4		DRAWING NUMBER: MR133100W	
SCALE: 3/8	DATE: 26DEC17	DRW. BY: LJO	REV. 4