



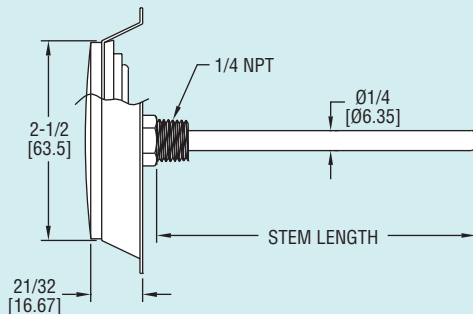
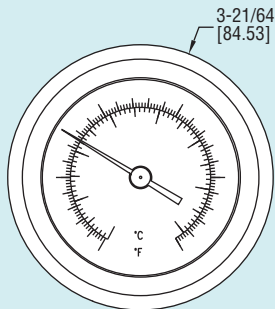
Series
BTPM

Panel Mount Bimetal Stem Thermometer

Front Flange with Back Connection for Easy Mounting



Scan here
to watch
product video



Series BTPM Panel Mount Bimetal Thermometers are designed to easily mount in most instrument panels. The front flange has three 5/32" diameter holes to quickly attach the thermometer to the panel. The Series BTPM thermometer has a 3" dial with a scratch resistant glass lens. The Series BTPM Panel Mount thermometers are ideal for HVAC, automotive, and food industry applications, chemical operations, and more.

Model	Range*	Stem Length
BTPM24041	-40 to 160°F	4"
BTPM240101	0 to 200°F	4"
BTPM26041	-40 to 160°F	6"
BTPM260101	0 to 200°F	6"
BTPM29041	-40 to 160°F	9"
BTPM290101	0 to 200°F	9"

*Dual scales available by changing last digit to "D."
(Example: BTPM2404D)

SPECIFICATIONS

Wetted Materials: 304 SS.

Housing Material: Series 300 SS.

Lens: Glass.

Accuracy: ±1%.

Temperature Limits: Ambient: -40 to 392°F (-40 to 200°C).

Dial Size: 2-1/2".

Process Connection: 1/4" NPT.

Resolution: Less than 2% of scale.

Weight: 9.2 oz (260 g).