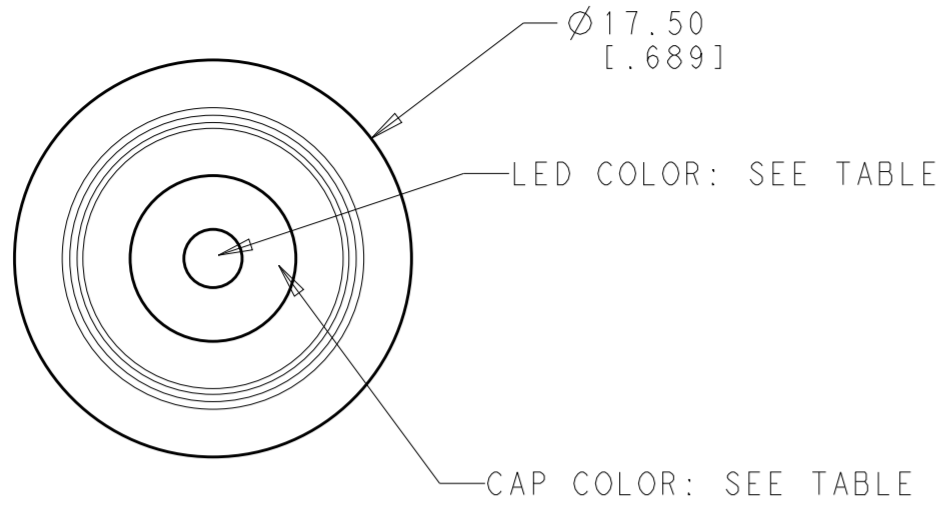
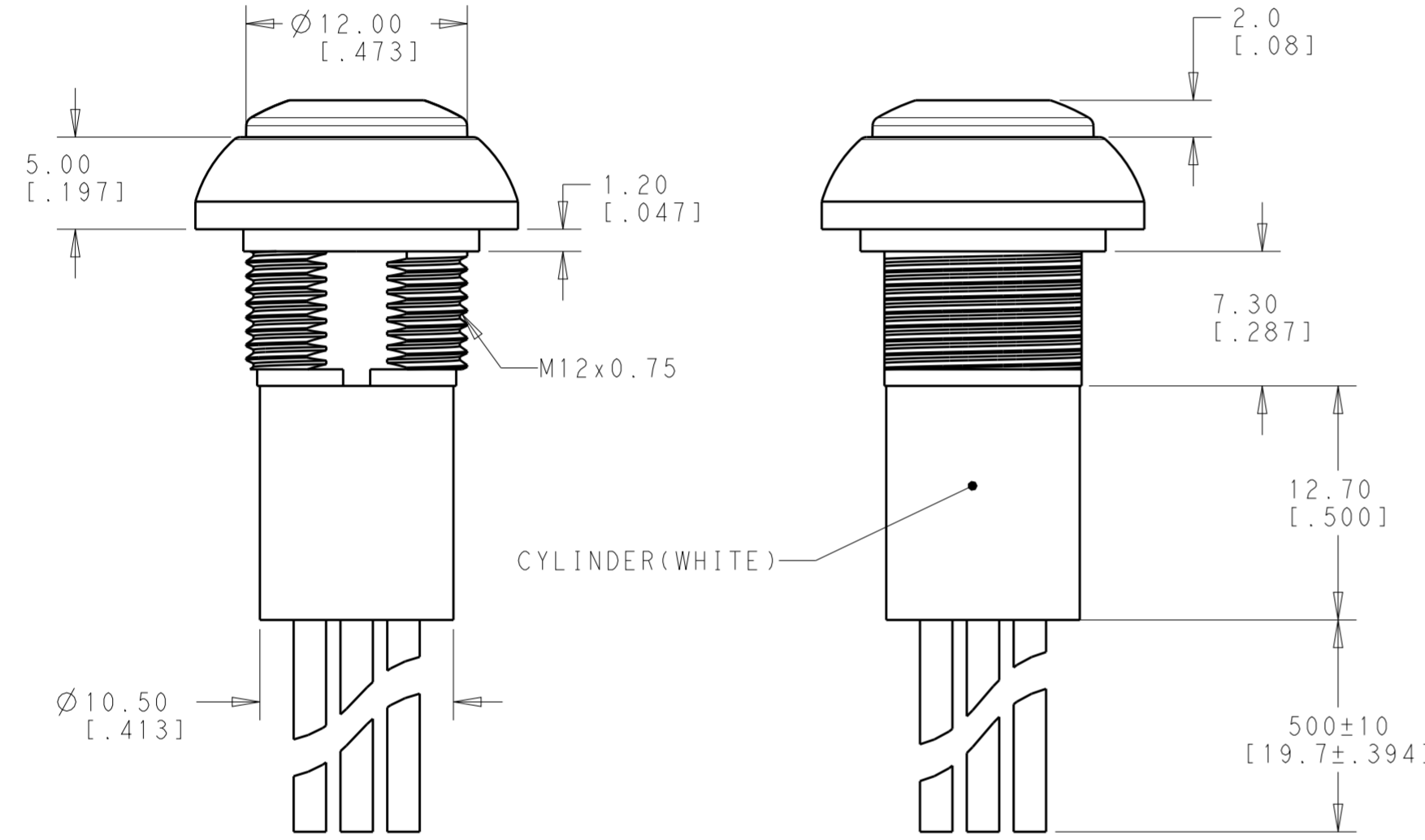


THIS DRAWING IS UNPUBLISHED. RELEASED FOR PUBLICATION
 © COPYRIGHT copyright.d8te- ALL RIGHTS RESERVED.

REVISIONS				
P	LTR	DESCRIPTION	DATE	APVD
2		REVISED TOLERANCE	20APR2018	JS AS

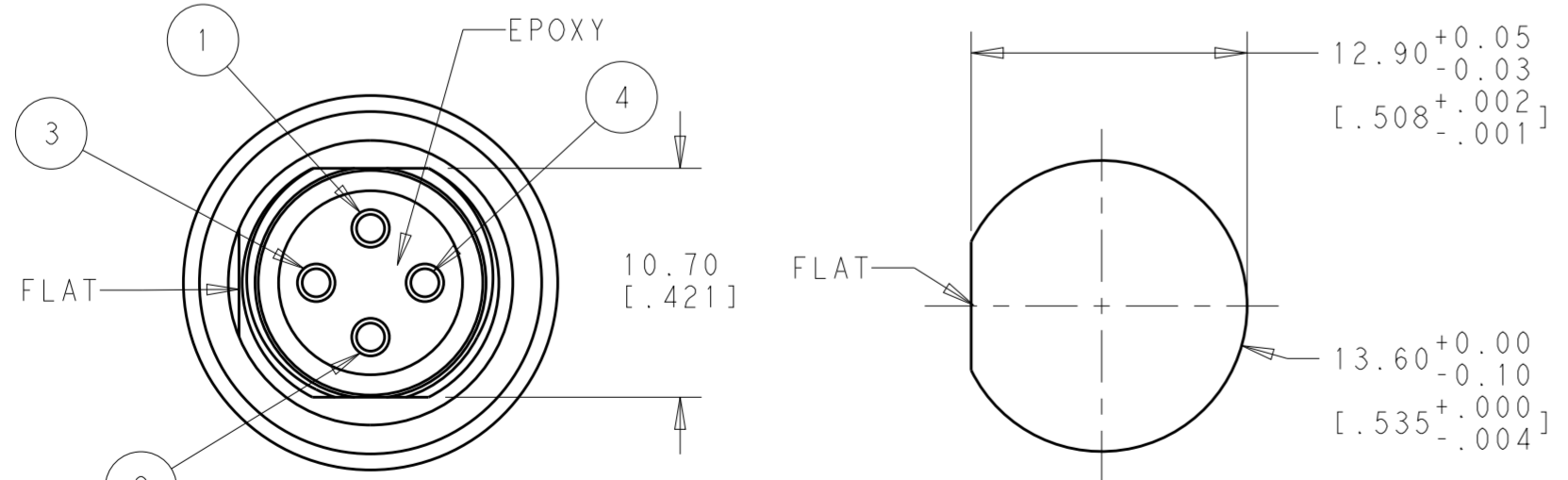


FLYING LEADS WITH COMMON STRAIN RELIEF OFF-(ON)



Model No.	POS. 1	POS. 2
PB6	OFF	MOM (ON)
CONNECTED TERMINALS	OPEN	CLOSE
SCHEMATIC		

SWITCH FUNCTION



PANEL CUT-OUT THICKNESS: 1.5mm~4.0mm [.059~.157]

SPECIFICATIONS:
 MAXIMUM CURRENT/VOLTAGE RATING WITH RESISTIVE LOAD: 400mA 32VAC, 200mA 50VDC, 125mA 125VAC
 INITIAL CONTACT RESISTANCE: 100mΩ MAXIMUM, RESISTANCE OF THE WIRE NOT INCLUDED.
 INSULATION RESISTANCE: 1 GΩ MINIMUM AT 500 VDC
 DIELECTRIC STRENGTH: 1,500 VAC RMS
 CONTACT BOUNCE: 10ms
 ELECTRICAL LIFE AT FULL LOAD: 500,000 CYCLES
 MECHANICAL LIFE: 1,000,000 CYCLES
 TOTAL TRAVEL: 1.5 (.059)
 ACTUATION FORCE: 3 TO 6N
 OPERATING TEMPERATURE: -30° TO 85° C
 DEGREE OF PROTECTION: IP68, 1 HOUR @ 1 METER
 TORQUE: 0.5N·m MAXIMUM APPLIED TO NUT

MATERIALS:
 CAP: POLYAMIDE 6/6
 PLUNGER: POLYCARBONATE
 RUBBER: SILICONE
 BUSHING: POLYAMIDE 6/6
 CASE: DIALLYL PHTHALATE (DAP) (UL94 V-0)
 TERMINALS/CONTACTS: COPPER ALLOY, GOLD OVER SILVER PLATED
 HEX NUT: BRASS, NICKEL PLATED (1)
 LOCK WASHER: BRASS, NICKEL PLATED (1)
 O-RING: SILICONE (1)
 WIRE: UL 3385, 20 AWG, SECTION 0.6mm²
 SPRING: STEEL
 CYLINDER: PTFE

PACKAGING:
 SWITCHES ARE BUNDLED. HARDWARE IS NOT ASSEMBLED TO THE SWITCH.
COMPLIANCE:
 ALL MATERIALS AND FINISHES SHALL COMPLY WITH EU DIRECTIVE 2002/95/EC OF 27JAN2003(RoHS)
SOLDER PROCESSING:
 MANUAL SOLDERING: SOLDER IRON, 30 WATTS, CONTROLLED AT 350° C, APPROXIMATELY 5 SECONDS WHILE APPLYING SOLDER.

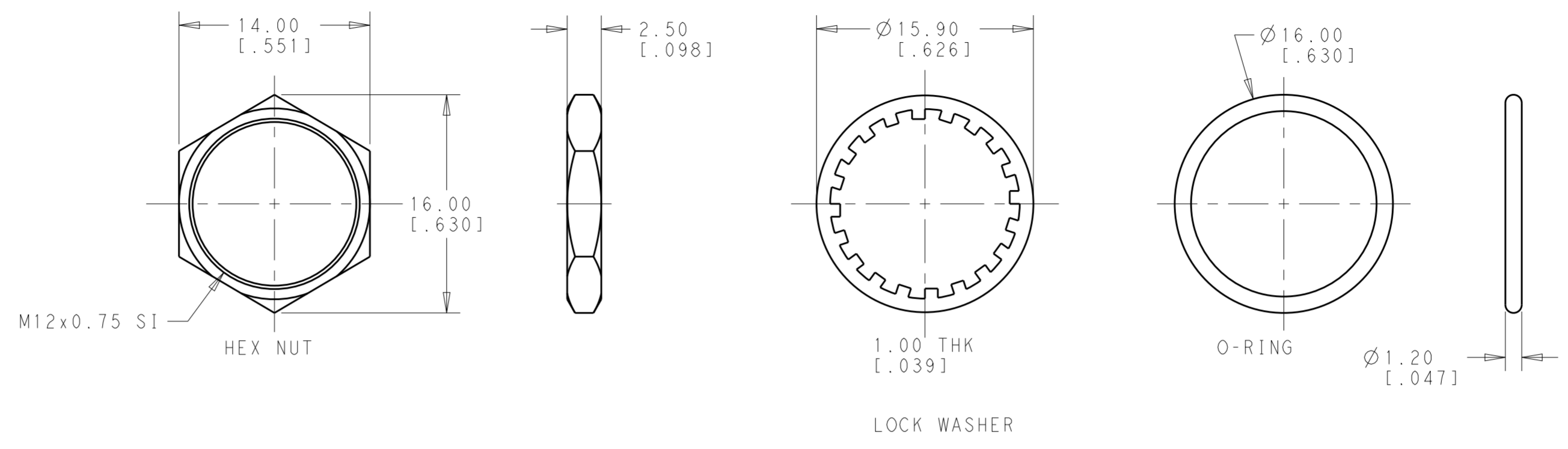
1. HARDWARE IS SHIPPED UNASSEMBLED.

NO.	DESCRIPTION	WIRE COLOR
4	LED-	GREEN
3	LED+	RED
2	TERMINAL 2	BLACK
1	TERMINAL 1	BLACK

THIS DRAWING IS A CONTROLLED DOCUMENT.		DWN: RAWLS 22FEB2018	DELIMITARY TE Connectivity													
DIMENSIONS: mm [INCHES]		CHK: ALEXANDER SHARPE 22FEB2018														
TOLERANCES UNLESS OTHERWISE SPECIFIED:		APVD: ALEXANDER SHARPE 22FEB2018														
<table border="1"> <tr><td>0 PLC</td><td>±</td></tr> <tr><td>1 PLC</td><td>±0.4 [.016]</td></tr> <tr><td>2 PLC</td><td>±0.25 [.010]</td></tr> <tr><td>3 PLC</td><td>±</td></tr> <tr><td>4 PLC</td><td>±</td></tr> <tr><td>ANGLES</td><td>±5°</td></tr> <tr><td>FINISH</td><td>-</td></tr> </table>		0 PLC		±	1 PLC	±0.4 [.016]	2 PLC	±0.25 [.010]	3 PLC	±	4 PLC	±	ANGLES	±5°	FINISH	-
0 PLC	±															
1 PLC	±0.4 [.016]															
2 PLC	±0.25 [.010]															
3 PLC	±															
4 PLC	±															
ANGLES	±5°															
FINISH	-															
MATERIAL	-	PRODUCT SPEC	SWITCH, PUSHBUTTON, FLAT CAP WITH LED, FLYING LEADS W/COMMON STRAIN RELIEF, SEALED, OFF-(ON)													
-		APPLICATION SPEC	SIZE: A2 CAGE CODE: 00779 DRAWING NO: C-2329388													
-		WEIGHT	SCALE: 3:2 SHEET 1 OF 2 REV 2													
CUSTOMER DRAWING		RESTRICTED TO														

THIS DRAWING IS UNPUBLISHED. RELEASED FOR PUBLICATION
 © COPYRIGHT copyright.d8te- ALL RIGHTS RESERVED.

REVISIONS				
P	LTR	DESCRIPTION	DATE	APVD
-		SEE SHEET 1	-	-



POLE	THROW	TERMINAL TYPE	CAP TYPE & COLOR	LED COLOR	TE DESCRIPTIVE PART NUMBER	PART NUMBER
SINGLE POLE	OFF-(ON) MOMENTARY	FLYING LEADS WITH COMMON STRAIN RELIEF	FLAT, MATTE BLUE	BLUE	PB6B2FM7M1CAL07S500	2-2329388-5
				GREEN	PB6B2FM7M1CAL06S500	2-2329388-4
				YELLOW	PB6B2FM7M1CAL05S500	2-2329388-3
				RED	PB6B2FM7M1CAL03S500	2-2329388-2
				WHITE	PB6B2FM7M1CAL01S500	2-2329388-1
			FLAT, MATTE GREEN	BLUE	PB6B2FM6M1CAL07S500	2-2329388-0
				GREEN	PB6B2FM6M1CAL06S500	1-2329388-9
				YELLOW	PB6B2FM6M1CAL05S500	1-2329388-8
				RED	PB6B2FM6M1CAL03S500	1-2329388-7
				WHITE	PB6B2FM6M1CAL01S500	1-2329388-6
			FLAT, MATTE YELLOW	BLUE	PB6B2FM5M1CAL07S500	1-2329388-5
				GREEN	PB6B2FM5M1CAL06S500	1-2329388-4
				YELLOW	PB6B2FM5M1CAL05S500	1-2329388-3
				RED	PB6B2FM5M1CAL03S500	1-2329388-2
				WHITE	PB6B2FM5M1CAL01S500	1-2329388-1
			FLAT, MATTE RED	BLUE	PB6B2FM3M1CAL07S500	1-2329388-0
				GREEN	PB6B2FM3M1CAL06S500	2329388-9
				YELLOW	PB6B2FM3M1CAL05S500	2329388-8
				RED	PB6B2FM3M1CAL03S500	2329388-7
				WHITE	PB6B2FM3M1CAL01S500	2329388-6
FLAT, MATTE BLACK	BLUE	PB6B2FM2M1CAL07S500	2329388-5			
	GREEN	PB6B2FM2M1CAL06S500	2329388-4			
	YELLOW	PB6B2FM2M1CAL05S500	2329388-3			
	RED	PB6B2FM2M1CAL03S500	2329388-2			
	WHITE	PB6B2FM2M1CAL01S500	2329388-1			

THIS DRAWING IS A CONTROLLED DOCUMENT.

DWN: RAVI.S 22FEB2018
 CHK: ALEXANDER SHARPE 22FEB2018
 APVD: ALEXANDER SHARPE 22FEB2018

STE TE Connectivity

NAME: SWITCH, PUSHBUTTON, FLAT CAP WITH LED, FLYING LEADS W/COMMON STRAIN RELIEF, SEALED, OFF-(ON)

SIZE: A2 CAGE CODE: 00779 DRAWING NO: C-2329388

SCALE: 3:2 SHEET: 2 OF 2 REV: 2

CUSTOMER DRAWING