

02 0261

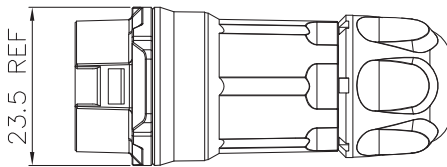
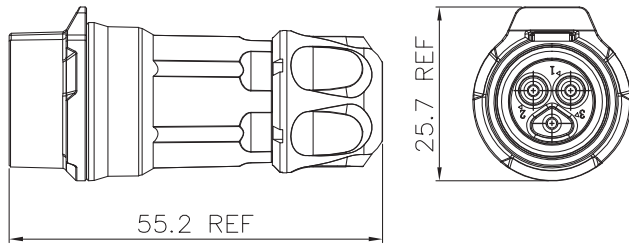
Quicklock circular connectors, IP67



Quicklock socket, IP67, size 16, straight version, with plastic housing and solder terminals

Approvals:  pending 

02 0261



Environmental conditions

Temperature range -40 °C/+80 °C

Materials

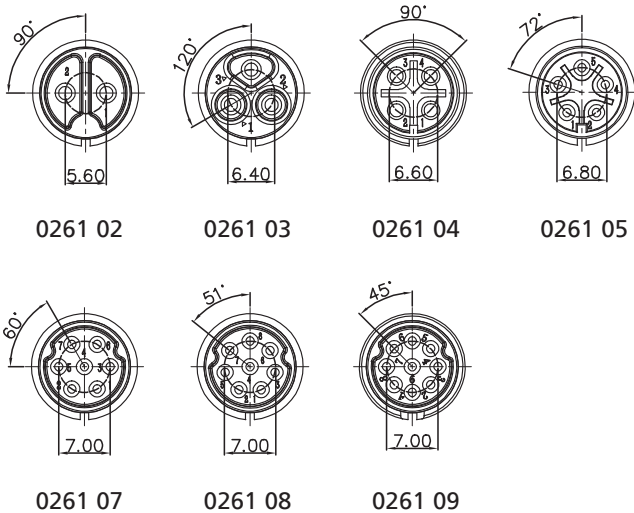
Insulating body/handle PBT, V-0 according to UL94
Contact bush CuSn, gold-plated
Cap nut PBT, V-0 according to UL94

Mechanical data

Mating cycles 1700
Insertion force ≤ 90 N
Withdrawal force ≤ 40 N
Protection class IP67

Connectable conductors for solder area

Cable diameter 3.0–8.5 mm



Electrical data (at T_{amb} 20 °C)

Contact resistance ≤ 5 mΩ
Rated current 10 A (2–4 poles)
5 A (5–9 poles)
Rated voltage 400 V
Rated impulse voltage 2500 V AC
Creepage distance ≥ 2 mm
Clearance ≥ 2 mm
Insulation resistance > 500 MΩ

Associated products

Counterparts
☑ 0251

02

0261

Designation	Pole Number	PU (Pieces)	MDQ (Pieces)
0261 02	2	10	50
0261 03	3	10	50
0261 04	4	10	50
0261 05	5	10	50
0261 07	7	10	50
0261 08	8	10	50
0261 09	9	10	50

Packaging:

in individual plastic bags, in a cardboard box