

Injector - INJ 1000-T - 2703006

Please be informed that the data shown in this PDF Document is generated from our Online Catalog. Please find the complete data in the user's documentation. Our General Terms of Use for Downloads are valid (<http://phoenixcontact.com/download>)




PoE injector, 30 W, two RJ45 sockets, 10/100/1000 Mbps, DIN rail mounting, IP20, expanded temperature range of -40°C ... 75°C

Your advantages

- ✓ Extended temperature range of -40°C to +75°C
- ✓ Extended supply voltage range of 18 V DC ... 57 V DC, redundant
- ✓ Safe shield connection to ground potential
- ✓ Mounting on a DIN rail
- ✓ 10/100/1000 Mbps

Key Commercial Data

Packing unit	1 pc
GTIN	 4 055626 462943
GTIN	4055626462943

Technical data

Note

Utilization restriction	EMC: class A product, see manufacturer's declaration in the download area
-------------------------	---

Dimensions

Width	30.2 mm
Height	130 mm
Depth	120 mm

Ambient conditions

Ambient temperature (operation)	-40 °C ... 75 °C
Ambient temperature (storage/transport)	-40 °C ... 85 °C
Permissible humidity (operation)	10 % ... 95 % (non-condensing)
Altitude	5000 m (For restrictions see manufacturer's declaration)
Degree of protection	IP20 (Non-certificated by UL)

General

Electromagnetic compatibility	Conformance with EMC Directive 2014/30/EU
-------------------------------	---

Injector - INJ 1000-T - 2703006

Technical data

General

Mounting position	vertical
Net weight	377.8 g
Housing material	Plastic
Color	gray
Conformance	CE-compliant
UL, USA/Canada	Class I, Div. 2, Groups A, B, C, D, T4

Power supply

Nominal supply voltage	24 V DC
	48 V DC
Supply voltage range	18 V DC ... 57 V DC (Ordinary locations)
	24 V DC ... 48 V DC (Hazardous locations)
Max. current consumption	2.1 A
	1.4 A (24 V DC)
	0.7 A (48 V DC)
Power consumption	≤ 75 W
Protective circuit	Reverse polarity protection
Conductor cross section flexible max.	4.00 mm ²
Conductor cross section flexible min.	0.75 mm ²
Conductor cross section solid max.	4.00 mm ²
Conductor cross section solid min.	0.75 mm ²
Conductor cross section AWG max.	12
Conductor cross section AWG min.	20

Serial interface

Interface 1	Ethernet
Connection method	RJ45 socket
Transmission length	100 m (including patch cables)
Pin assignment	1:1
Basic functions	PSE/Midspan, compliant with IEEE 802.3af, at
Serial transmission speed	10/100/1000 Mbps
Output nominal voltage	54 V DC (PoE)
Output power	30 W
Interface 2	Ethernet
Connection method	RJ45 CAT5e

Standards and Regulations

Electromagnetic compatibility	Conformance with EMC Directive 2014/30/EU
Type of test	Vibration resistance in acc. with EN 60068-2-6/IEC 60068-2-6
Test result	10 Hz ... 57 Hz, amplitude ±3.5 mm, 57 Hz ... 150 Hz, 5g
Type of test	Shock in acc. with EN 60068-2-27/IEC 60068-2-27
Test result	25g for 11 ms, three shocks in each direction

Injector - INJ 1000-T - 2703006

Technical data

Standards and Regulations

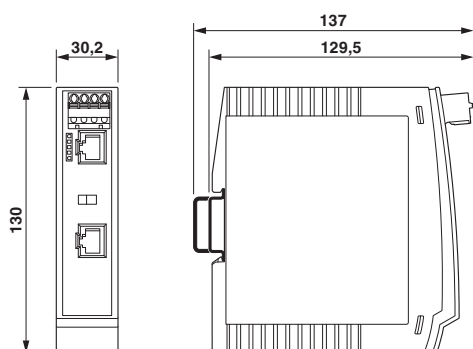
Standards/regulations	EN 61000-4-2
Contact discharge	± 6 kV (Test Level 3)
Indirect discharge	± 6 kV
Standards/regulations	EN 61000-4-3
Frequency range	80 MHz ... 3 GHz (Test Level 3)
Standards/regulations	EN 61000-4-4
Comments	Criterion B
Standards/regulations	EN 61000-4-5
Signal	± 1 kV (Data line, asymmetrical)
	± 2 kV (I/O cable on field side only, asymmetric)
Standards/regulations	EN 61000-6-4
	EN 61000-4-6
Frequency range	0.15 MHz ... 80 MHz
Conformance	CE-compliant
UL, USA/Canada	Class I, Div. 2, Groups A, B, C, D, T4
Noxious gas test	ISA-S71.04-1985 G3 Harsh Group A

Environmental Product Compliance

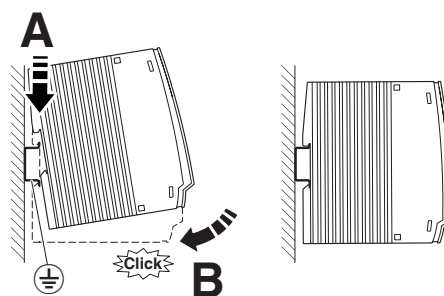
REACH SVHC	Lead 7439-92-1
China RoHS	Environmentally Friendly Use Period = 10;
	For details about hazardous substances go to tab "Downloads", Category "Manufacturer's declaration"

Drawings

Dimensional drawing



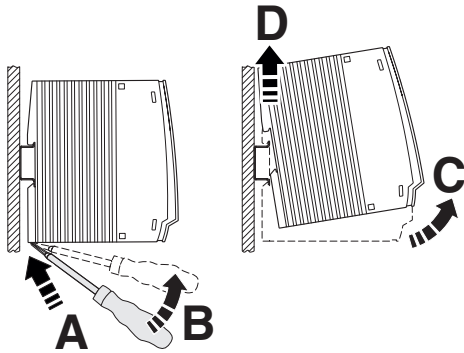
Schematic diagram



Mounting

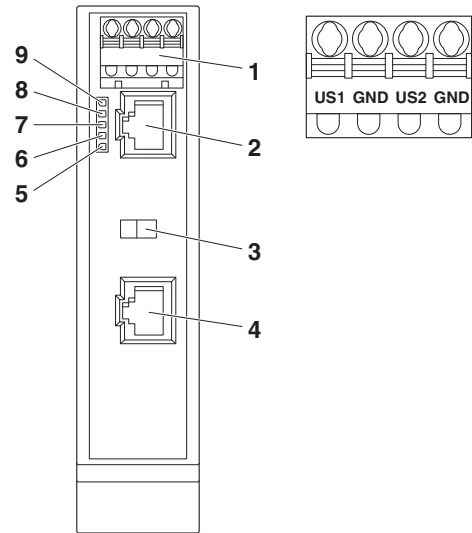
Injector - INJ 1000-T - 2703006

Schematic diagram



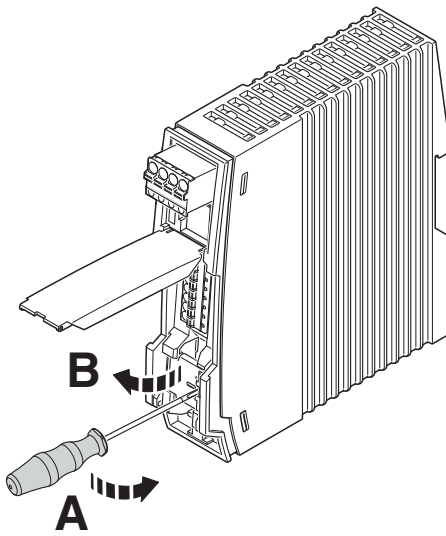
Removal

Schematic diagram



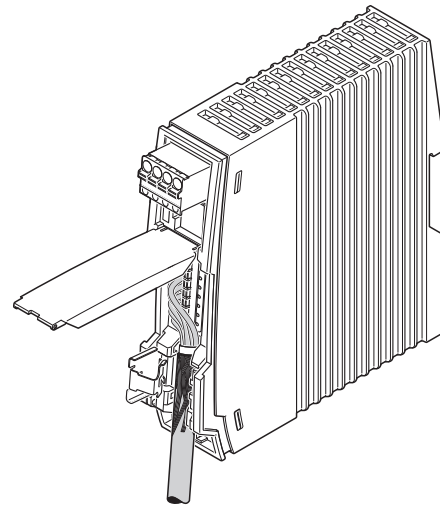
Front view

Schematic diagram



Open shield contact spring

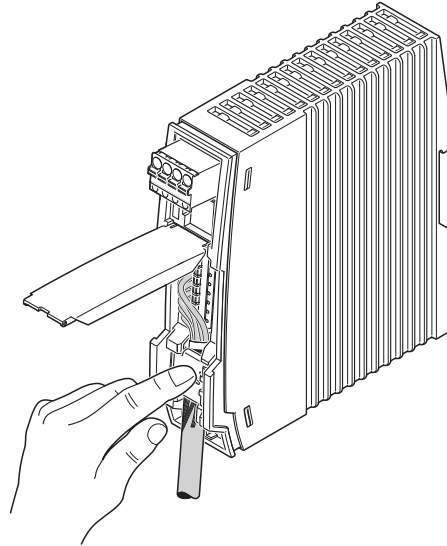
Schematic diagram



Inserting the cable

Injector - INJ 1000-T - 2703006

Schematic diagram



Close shield contact spring

Approvals

Approvals

Approvals

UL Listed / cUL Listed / cULus Listed

Ex Approvals

UL Listed / cUL Listed / cULus Listed

Approval details

UL Listed		http://database.ul.com/cgi-bin/XYV/template/LISEXT/1FRAME/index.htm	FILE E 238705
-----------	--	---	---------------

cUL Listed		http://database.ul.com/cgi-bin/XYV/template/LISEXT/1FRAME/index.htm	FILE E 238705
------------	--	---	---------------

cULus Listed			
--------------	--	--	--

Phoenix Contact 2018 © - all rights reserved
<http://www.phoenixcontact.com>

PHOENIX CONTACT GmbH & Co. KG
Flachsmarktstr. 8
32825 Blomberg
Germany
Tel. +49 5235 300
Fax +49 5235 3 41200
<http://www.phoenixcontact.com>