

Router - TC ROUTER 3002T-4G VZW - 2702532

Please be informed that the data shown in this PDF Document is generated from our Online Catalog. Please find the complete data in the user's documentation. Our General Terms of Use for Downloads are valid (<http://phoenixcontact.com/download>)



Industrial LTE 4G router, version for Verizon wireless (US), 2 Ethernet interfaces, firewall, NAT, IPsec and OpenVPN support, 2x SMA-F antenna socket, SMS and e-mail transmission, 2 digital inputs, 1 digital output

Your advantages


- ✓ Industrial 4G mobile router (LTE)
- ✓ Mobile high-speed Internet connection up to 150 Mbps
- ✓ Networking of Ethernet end devices via the mobile network
- ✓ Ethernet SMS gateway for easy alerting
- ✓ Two switching inputs and one switching output
- ✓ Stateful inspection firewall for dynamic filtering
- ✓ NAT table and port forwarding for direct remote access to an end device
- ✓ Configuration via web-based management or microSD card
- ✓ Two local Ethernet connections
- ✓ Switchable energy-saving mode
- ✓ Integrated logbook
- ✓ Connection monitoring
- ✓ Extended temperature range, -40 °C ... +70 °C



Ethernet



Key Commercial Data

| | |
|--------------|---|
| Packing unit | 1 pc |
| GTIN |  4 055626 212852 |
| GTIN | 4055626212852 |

Technical data

Note

| | |
|-------------------------|---|
| Utilization restriction | EMC: class A product, see manufacturer's declaration in the download area |
|-------------------------|---|

Dimensions

| | |
|-------|-------|
| Width | 45 mm |
|-------|-------|

Router - TC ROUTER 3002T-4G VZW - 2702532

Technical data

Dimensions

| | |
|--------|--------|
| Height | 130 mm |
| Depth | 126 mm |

Ambient conditions

| | |
|--|--|
| Ambient temperature (operation) | -40 °C ... 70 °C (Maximum transmission power 5 dBm) |
| | -40 °C ... 60 °C (Maximum transmission power 23 dBm) |
| Ambient temperature (storage/transport) | -40 °C ... 85 °C |
| Permissible humidity (operation) | 10 % ... 95 % (non-condensing) |
| Permissible humidity (storage/transport) | 10 % ... 95 % (non-condensing) |
| Altitude | 5000 m (For restrictions see manufacturer's declaration) |
| Degree of protection | IP20 (Manufacturer's declaration) |
| Noise immunity | EN 61000-6-2 |

General

| | |
|-------------------------------|--|
| Electrical isolation | VCC // LTE // Ethernet // PE |
| Electromagnetic compatibility | Conformance with RED Directive 2014/53/EU |
| Net weight | 266 g |
| Housing material | Plastic |
| Color | gray |
| Degree of pollution | 2 |
| Conformance | CE-compliant |
| UL, USA/Canada | Class I, Zone 2, AEx nA IIC T4 / Ex nA IIC T4 Gc |
| | Class I, Div. 2, Groups A, B, C, D T4 |
| Wireless licences | USA |

Power supply

| | |
|-----------------------------|---|
| Supply voltage range | 10 V DC ... 30 V DC (SELV, via pluggable COMBICON screw terminal block) |
| Max. current consumption | 1.7 A |
| Typical current consumption | < 200 mA (24 V DC) |
| | 65 mA (With activated energy-saving mode) |

Serial interface

| | |
|---------------------------|---|
| Interface 1 | Ethernet interface, 10/100Base-T(X) in acc. with IEEE 802.3u |
| Interface | Ethernet |
| Operating mode | Indoor use only |
| No. of ports | 2 (SELV) |
| Connection method | RJ45 socket, shielded |
| Transmission length | 100 m (shielded twisted pair) |
| Protocols supported | TCP/IP, UDP/IP, FTP, HTTP(S) |
| Auxiliary protocols | ARP, DHCP, PING (ICMP), SNMP V1/V2, SMTP(S), NTP, SSL/TLS, STARTTLS |
| Serial transmission speed | 10/100 Mbps, auto negotiation |

Router - TC ROUTER 3002T-4G VZW - 2702532

Technical data

Wireless interface

| | |
|-----------------------|-----------------------------------|
| Interface description | LTE (FDD) |
| Frequency | 700 MHz (LTE B13) |
| | 1700 MHz (LTE B4) |
| Data rate | ≤ 150 Mbps (LTE (DL)) |
| | ≤ 50 Mbps (LTE (UL)) |
| Antenna | 50 Ω impedance SMA antenna socket |
| SIM interface 1 | 1.8 volt, 3 volt |

Function

| | |
|----------------------|----------------------------|
| Web-based management | yes |
| Management | Web-based management, SNMP |

Digital outputs

| | |
|-----------------------|--|
| Output name | Digital output |
| Number of outputs | 1 |
| Voltage output signal | 10 V DC ... 30 V DC (depending on the operating voltage) |
| Current output signal | ≤ 50 mA (Not short-circuit proof) |

Digital inputs

| | |
|----------------------------|---------------------|
| Description of the input | Digital input |
| Number of inputs | 2 |
| Switching level "1" signal | 10 V DC ... 30 V DC |
| Voltage input signal | 10 V DC ... 30 V DC |

Standards and Regulations

| | |
|-------------------------------|--|
| Electromagnetic compatibility | Conformance with RED Directive 2014/53/EU |
| Type of test | Vibration resistance in acc. with EN 60068-2-6/IEC 60068-2-6 |
| Test result | 5g, 10...150 Hz, 2.5 h, in XYZ direction |
| Type of test | Shock in acc. with EN 60068-2-27/IEC 60068-2-27 |
| Test result | 15g |
| Noise immunity | EN 61000-6-2 |
| Standards/regulations | EN 61000-4-2 |
| Contact discharge | ± 6 kV (Test Level 3) |
| Standards/regulations | EN 61000-4-3 |
| Frequency range | 80 MHz ... 3 GHz (Test Level 3) |
| Standards/regulations | EN 61000-4-4 |
| Comments | Criterion B |
| Standards/regulations | EN 61000-4-5 |
| Signal | ± 1 kV (Data line, asymmetrical) |
| Standards/regulations | EN 61000-4-6 |
| Frequency range | 0.15 MHz ... 80 MHz |
| Conformance | CE-compliant |
| UL, USA/Canada | Class I, Zone 2, AEx nA IIC T4 / Ex nA IIC T4 Gc |

Router - TC ROUTER 3002T-4G VZW - 2702532

Technical data

Standards and Regulations

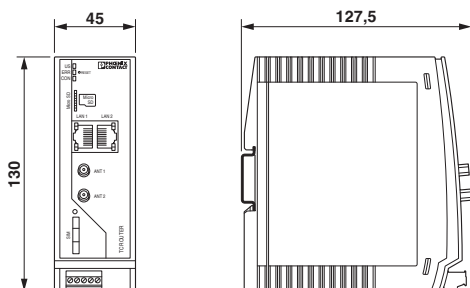
| | |
|------------------|---------------------------------------|
| | Class I, Div. 2, Groups A, B, C, D T4 |
| Noxious gas test | ISA-S71.04-1985 G3 Harsh Group A |

Environmental Product Compliance

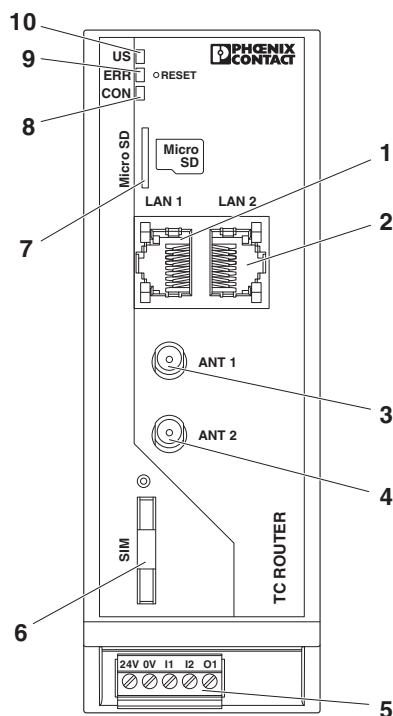
| | |
|------------|---|
| REACH SVHC | Lead 7439-92-1 |
| China RoHS | Environmentally Friendly Use Period = 50 |
| | For details about hazardous substances go to tab "Downloads", Category "Manufacturer's declaration" |

Drawings

Dimensional drawing



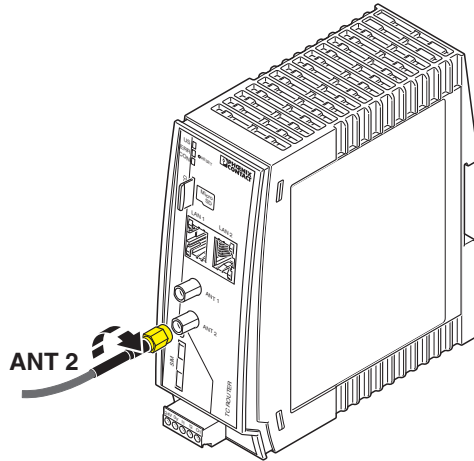
Schematic diagram



Front view

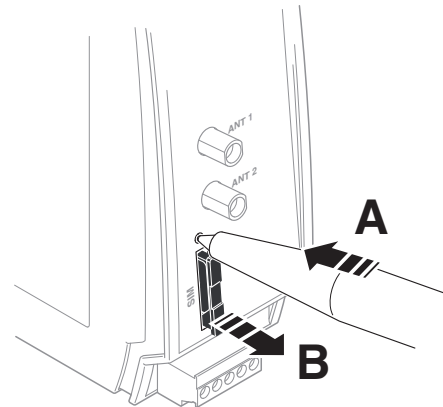
Router - TC ROUTER 3002T-4G VZW - 2702532

Schematic diagram



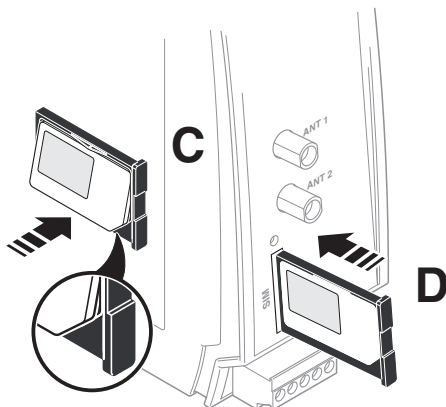
Connect the antenna

Schematic diagram



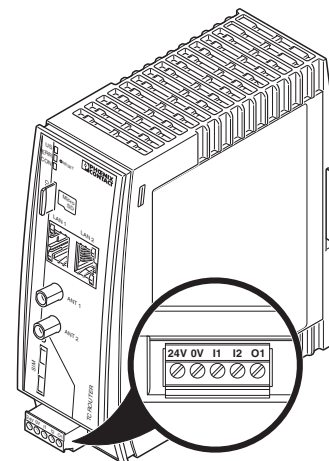
Remove SIM card holder

Schematic diagram



Insert the SIM card

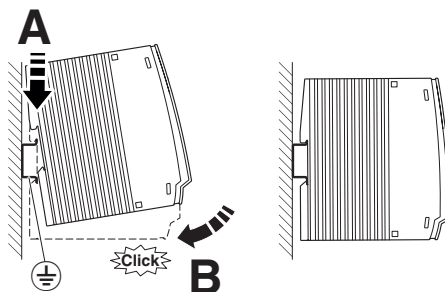
Schematic diagram



Device connections

Router - TC ROUTER 3002T-4G VZW - 2702532

Schematic diagram



Mounting

Approvals

Approvals

Approvals

UL Listed / cUL Listed / cULus Listed

Ex Approvals

UL Listed / cUL Listed / cULus Listed

Approval details

| | | | |
|-----------|--|---|---------------|
| UL Listed | | http://database.ul.com/cgi-bin/XYV/template/LISEXT/1FRAME/index.htm | FILE E 238705 |
|-----------|--|---|---------------|

| | | | |
|------------|--|---|---------------|
| cUL Listed | | http://database.ul.com/cgi-bin/XYV/template/LISEXT/1FRAME/index.htm | FILE E 238705 |
|------------|--|---|---------------|

| | | | |
|--------------|--|--|--|
| cULus Listed | | | |
|--------------|--|--|--|

Phoenix Contact 2018 © - all rights reserved
<http://www.phoenixcontact.com>

PHOENIX CONTACT GmbH & Co. KG
Flachsmarktstr. 8
32825 Blomberg
Germany
Tel. +49 5235 300
Fax +49 5235 3 41200
<http://www.phoenixcontact.com>