

## Communication module - AXL F RS UNI 1H - 2688666

Please be informed that the data shown in this PDF Document is generated from our Online Catalog. Please find the complete data in the user's documentation. Our General Terms of Use for Downloads are valid (<http://phoenixcontact.com/download>)



Axioline F communication module for serial data transmission, 1 interface can be parameterized as RS-485/422 or RS-232 (including bus base module and connectors)

### Product Description

The module is designed for use within an Axioline F station.  
The module is used to operate standard I/O devices with serial interfaces on a bus system.

### Your advantages

- ✓ A serial input and output channel in RS-232, RS-422, and RS-485 format
- ✓ Various protocols supported
- ✓ Transmission speed can be set up to 250,000 baud
- ✓ Parameterization via the PDI channel
- ✓ Device rating plate stored



### Key Commercial Data

Packing unit	1 pc
GTIN	
GTIN	4046356730860

### Technical data

#### Dimensions

Width	35 mm
Height	126.1 mm
Depth	54 mm
Note on dimensions	The depth is valid when a TH 35-7,5 DIN rail is used (according to EN 60715).

#### Ambient conditions

Ambient temperature (operation)	-25 °C ... 60 °C
Ambient temperature (storage/transport)	-40 °C ... 85 °C
Permissible humidity (operation)	5 % ... 95 % (non-condensing)

# Communication module - AXL F RS UNI 1H - 2688666

## Technical data

### Ambient conditions

Permissible humidity (storage/transport)	5 % ... 95 % (non-condensing)
Air pressure (operation)	70 kPa ... 106 kPa (up to 3000 m above sea level)
Air pressure (storage/transport)	70 kPa ... 106 kPa (up to 3000 m above sea level)
Degree of protection	IP20

### Connection data

Designation	Axioline F connector
Connection method	Push-in connection
Note on the connection method	Please observe the information provided on conductor cross sections in the "Axioline F: system and installation" user manual.
Conductor cross section solid min.	0.2 mm <sup>2</sup>
Conductor cross section solid max.	1.5 mm <sup>2</sup>
Conductor cross section flexible min.	0.2 mm <sup>2</sup>
Conductor cross section flexible max.	1.5 mm <sup>2</sup>
Conductor cross section AWG min.	24
Conductor cross section AWG max.	16
Stripping length	8 mm

### General

Mounting type	DIN rail
Net weight	187.3 g
Note on weight specifications	with connectors and bus base module
Diagnostics messages	I/O supply failure Yes

### Interfaces

Designation	Axioline F local bus
No. of channels	2
Connection method	Bus base module
Transmission speed	100 Mbps
Interface	RS-232, RS-485, RS-422
Connection method	Push-in connection
Transmission physics	Copper
Protocols supported	Transparent, end-to-end, XON/XOFF, Modbus/RTU (master support)
Termination resistor	active, integrated
Data bits	5 ... 8
Stop bits	1 or 2
Input buffer	4 kByte
Output buffer	1 kByte

### Axioline potentials

Designation	Axioline F local bus supply (U <sub>Bus</sub> )
Supply voltage	5 V DC (via bus base module)
Current consumption	typ. 200 mA

# Communication module - AXL F RS UNI 1H - 2688666

## Technical data

### Axioline potentials

	max. 240 mA
--	-------------

### Serial input/output channel

Parity	Even, odd or no parity
Transmission type	Transparent mode, end-to-end mode, XON/XOFF, Modbus/RTU

### Electrical isolation

Test section	5 V supply (logic)/5 V supply (I/O) 500 V AC 50 Hz 1 min.
	5 V supply (logic)/functional earth ground 500 V AC 50 Hz 1 min.
	5 V supply (I/O)/functional earth ground 500 V AC 50 Hz 1 min.

### Standards and Regulations

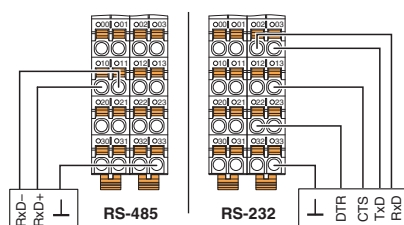
Mechanical tests	Vibration resistance in acc. with EN 60068-2-6/IEC 60068-2-6 5g
	Shock in acc. with EN 60068-2-27/IEC 60068-2-27 30g
	Continuous shock according to EN 60068-2-27/IEC 60068-2-27 10g
Protection class	III, IEC 61140, EN 61140, VDE 0140-1

### Environmental Product Compliance

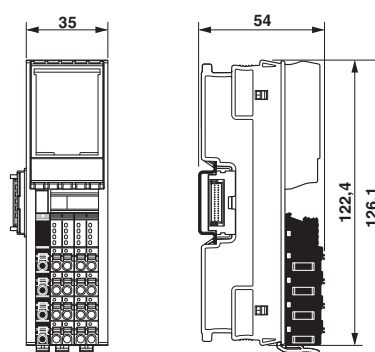
China RoHS	Environmentally friendly use period: unlimited = EFUP-e
	No hazardous substances above threshold values

## Drawings

Connection diagram

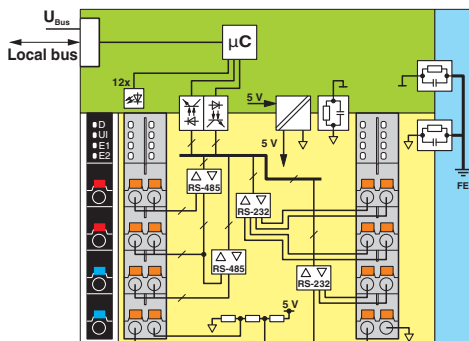


Dimensional drawing



# Communication module - AXL F RS UNI 1H - 2688666

Block diagram



Internal wiring of the terminal points

## Approvals

Approvals

Approvals

DNV GL / PRS / BV / LR / KR / ABS / BSH / RINA / UL Listed / cUL Listed / EAC / cULus Listed






Ex Approvals

## Approval details

DNV GL		<a href="http://exchange.dnv.com/tari/">http://exchange.dnv.com/tari/</a>	TAA00000DF
PRS		<a href="http://www.prs.pl/">http://www.prs.pl/</a>	TE/2106/880590/16
BV		<a href="http://www.veristar.com/portal/veristarinfo/generalinfo/approved/approvedProducts/equipmentAndMaterials">http://www.veristar.com/portal/veristarinfo/generalinfo/approved/approvedProducts/equipmentAndMaterials</a>	36433/A2 BV
LR		<a href="http://www.lr.org/en">http://www.lr.org/en</a>	14-20019
KR		<a href="http://www.krs.co.kr/eng/main/main.aspx">http://www.krs.co.kr/eng/main/main.aspx</a>	HMB17372-AC002

# Communication module - AXL F RS UNI 1H - 2688666

## Approvals

ABS		<a href="http://www.eagle.org/eagleExternalPortalWEB/">http://www.eagle.org/eagleExternalPortalWEB/</a>	18-HG1767360-PDA
BSH		<a href="http://www.bsh.de/de/index.jsp">http://www.bsh.de/de/index.jsp</a>	840
RINA		<a href="http://www.rina.org/en">http://www.rina.org/en</a>	ELE256518XG
UL Listed		<a href="http://database.ul.com/cgi-bin/XYV/template/LISEXT/1FRAME/index.htm">http://database.ul.com/cgi-bin/XYV/template/LISEXT/1FRAME/index.htm</a>	FILE E 238705
cUL Listed		<a href="http://database.ul.com/cgi-bin/XYV/template/LISEXT/1FRAME/index.htm">http://database.ul.com/cgi-bin/XYV/template/LISEXT/1FRAME/index.htm</a>	FILE E 238705
EAC			EAC-Zulassung
cULus Listed			

Phoenix Contact 2018 © - all rights reserved  
<http://www.phoenixcontact.com>

PHOENIX CONTACT GmbH & Co. KG  
Flachsmarktstr. 8  
32825 Blomberg  
Germany  
Tel. +49 5235 300  
Fax +49 5235 3 41200  
<http://www.phoenixcontact.com>