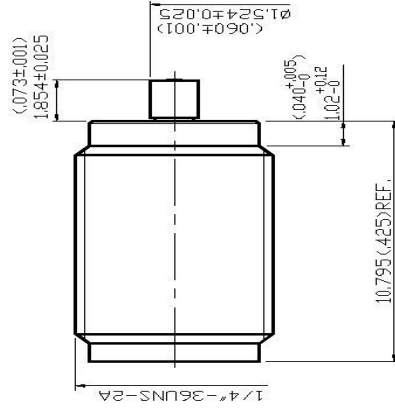


Datasheet

Stock No:1706962

RS Pro SMA 27G JACK RECEPTACLE

NO	DESCRIPTION	DATE
△	(.029 ^{+0.020} ₋₀) → (.020 ^{+0.020} ₋₀)	06.25.07
△	MODIFICATION PARTS @	08.25.08
△	52-28/452-038-00004920(FD) → 40520208700001	02.01.18



1.0 ELECTRICAL

- 1.1 FREQUENCY RANGE: DC-27 GHz
- 1.2 NOMINAL IMPEDANCE: 50 OHMS
- 1.3 VOLTAGE RATING: 500 VOLTS MAX.
- 1.4 NSWR: 1.10 MAX. @18 GHz
1.15 MAX. @27 GHz

2.0 MATERIALS

- 2.1 BODIES: STAINLESS STEEL PER AISI-316
- 2.2 CENTER CONTACT: BERYLLIUM COPPER PER ASTM B166 UNS C17300
- 2.3 INSULATION: TEFLON PER ASTM D1457 AND ASTM D1710

3.0 FINISHES AND OTHERS

- 3.1 SEE BELOW TABLE FOR DETAILS.

4.0 MECHANICAL

- 4.1 INTERFACE IN ACCORDANCE WITH: ML-STD-348A

5.0 ENVIRONMENTAL

- 5.1 OPERATING TEMPERATURE RANGE: -65° C TO +165° C

NO	DESCRIPTION	MATERIAL	Q'TY	FINISH
4	LOCK RING	ULTEM 1000	1	NONE
3	CENTER CONTACT	BERYLLIUM COPPER	1	GOLD 100µ MIN.
2	INSULATION	TEFLON	1	NONE
1	BODY	STAINLESS STEEL	1	PASSIVATED

APPROVED by _____ DATE: _____

DESCRIPTION	SMA 27G JACK RECEPTACLE		品名	40520208700001		DATE	05.31.07	REV.	A-3
DRAWN	TOLERANCE		TITLE	ROHS COMPLIANT (500)		日	期	次	
Jackie	X ±0.2		UNIT						
CHECK	XX ±0.1		mm(in)						
Arc	XXX ±0.05		DWG.NO.	52-0002-Z					
APPROVAL	ANGLE ±5°		SCALE						
Jenny	例 6:1								