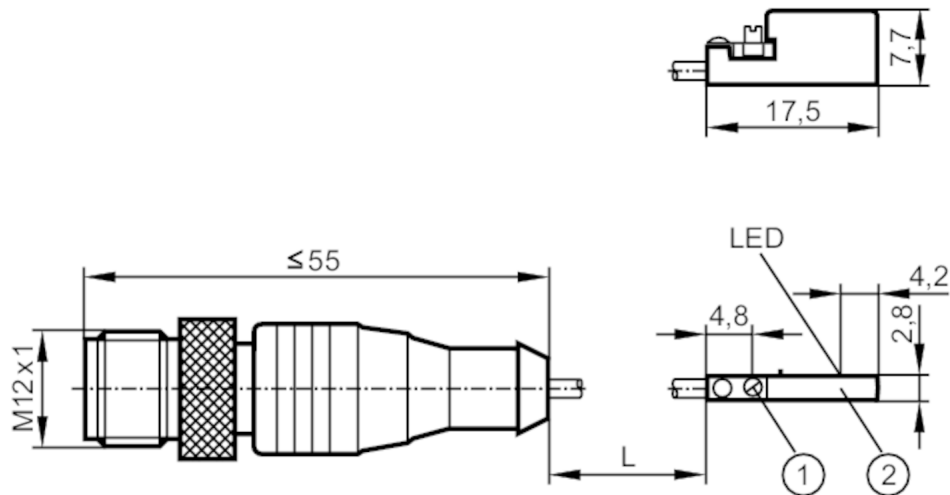


# MK5304



## C-slot cylinder sensor

MKC3028-BPKG/G/0,3M/ZH/US



- 1 Fastening clamp
- 2 sensing face



### Electrical data

Operating voltage	[V]	10...30 DC; (cULus - Class 2 source required)
Current consumption	[mA]	< 10
Protection class		III
Reverse polarity protection		yes
Max. power-on delay time	[ms]	30

### Outputs

Electrical design		PNP
Output function		normally open
Max. voltage drop switching output DC	[V]	2.5
Permanent current rating of switching output DC	[mA]	100
Switching frequency DC	[Hz]	10000
Short-circuit protection		yes
Type of short-circuit protection		yes (non-latching)
Overload protection		yes

### Monitoring range

Magnetic sensitivity	[mT]	2.8
Travel speed	[m/s]	> 10

### Accuracy / deviations

Hysteresis	[mm]	1.5
Repeatability	[mm]	< 0.2

### Operating conditions

Ambient temperature	[°C]	-25...85
Protection		IP 65; IP 67

# MK5304



## C-slot cylinder sensor

MKC3028-BPKG/G/0,3M/ZH/US

Tests / approvals		
EMC	EN 61000-4-2 ESD	- CD / 8 kV AD
	EN 61000-4-3 HF radiated	10 V/m
	EN 61000-4-4 Burst	2 kV
	EN 61000-4-6 HF conducted	10 V
	EN 55011	class B
MTTF	[years]	3694
UL approval	UL approval number	C008

Mechanical data		
Weight	[g]	18.4
Mounting		non-flush mountable
Cylinder type		C-slot cylinders
Dimensions	[mm]	17.5 x 2.8 x 7.7
Material		housing: PA; Fastening clamp: stainless steel

Displays / operating elements		
Display	Switching status	1 x LED, yellow

Electrical connection		
Connection		plug

Remarks		
Pack quantity		1 pcs.

### Electrical connection - plug

Cable: 0.3 m, PUR

Connector: 1 x M12; Locking: Knurled nut, rotatable



# MK5304

## C-slot cylinder sensor

MKC3028-BPKG/G/0,3M/ZH/US



### Connection

