

## Housing - HC-STA-D07-BWSCF-PL-BK - 1419277


Please be informed that the data shown in this PDF Document is generated from our Online Catalog. Please find the complete data in the user's documentation. Our General Terms of Use for Downloads are valid (<http://phoenixcontact.com/download>)



Panel mounting base D7, with single locking latch, material: PA, protective cover material: PA, height: 25.5 mm, cable gland: none, support sleeve: no, protective cover: yes, Standard, for socket inserts

RoHS

### Key Commercial Data

Packing unit	1 pc
GTIN	 4 055626 160276
GTIN	4055626160276

### Technical data

#### Dimensions

Height	25.5 mm
Width	34.2 mm
Length	24.2 mm
Length of the assembly cutout	21 mm
Width of the assembly cutout	21 mm

#### Ambient conditions

Degree of protection of housing (IP)	IP66 ( )
Ambient temperature (operation)	-20 °C ... 100 °C

#### General

Note	for contact inserts HC-A03, A04, D07, D08, Q02, Q03, Q04, Q05, Q07, Q12
Size	D7
Housing type	Panel mounting base
Color	black
Locking type	with single locking latch
Screw connection	none
Protective cover	yes

# Housing - HC-STA-D07-BWSCF-PL-BK - 1419277

## Technical data

### General

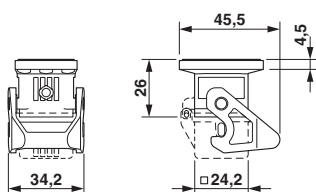
Housing material	PA
Seal material	NBR
Material lock	PA
Material, protective cover	PA
Flammability rating according to UL 94	V0 (Polyamide housing)

### Environmental Product Compliance

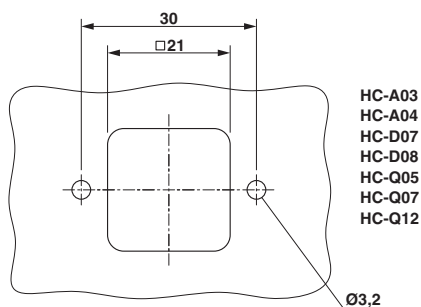
China RoHS	Environmentally Friendly Use Period = 50
	For details about hazardous substances go to tab "Downloads", Category "Manufacturer's declaration"

## Drawings

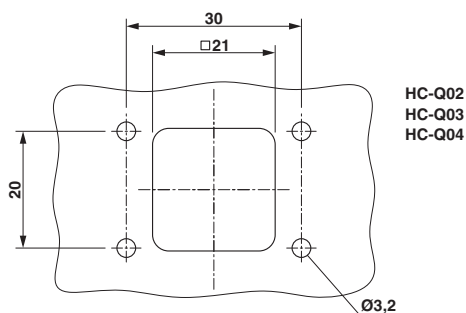
Dimensional drawing



Dimensional drawing



Dimensional drawing



Mounting cutout

## Approvals

Approvals

Approvals

EAC / GL


## Housing - HC-STA-D07-BWSCF-PL-BK - 1419277

### Approvals

Ex Approvals

---

#### Approval details

EAC		RU C- DE.AI30.B.01102
-----	---	--------------------------

GL		<a href="http://exchange.dnv.com/tari/">http://exchange.dnv.com/tari/</a>	6196614 HH
----	---	---	------------

---

Phoenix Contact 2018 © - all rights reserved  
<http://www.phoenixcontact.com>

PHOENIX CONTACT GmbH & Co. KG  
Flachsmarktstr. 8  
32825 Blomberg  
Germany  
Tel. +49 5235 300  
Fax +49 5235 3 41200  
<http://www.phoenixcontact.com>