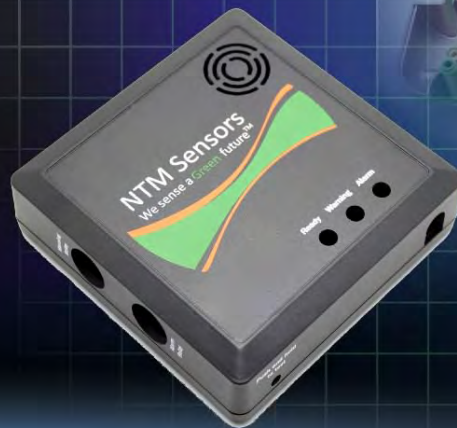
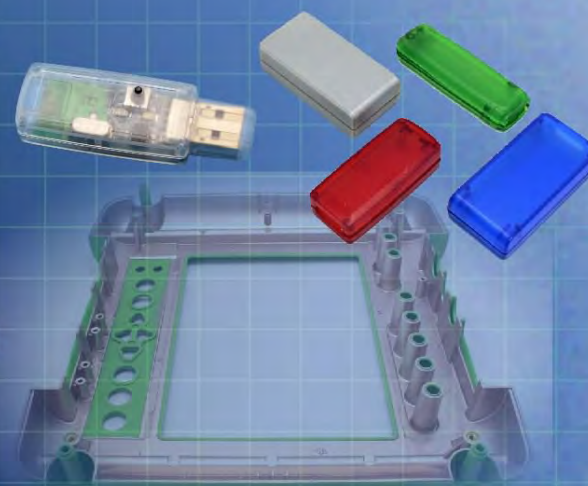




Ordering a market-ready enclosure® is made fast and affordable with our complete in-house capabilities. New Age provides machined openings to fit your PCB, pad printing for your graphics, custom enclosures, custom colors, final assembly, testing and fulfillment services to save you additional time and money. Ask your representative for a free quote today 805-595-1310.

Fast and Affordable Customization

**CNC Modifications
Pad Printing
Colored Resins
EMI/RF Shielding
Custom Enclosure
Assembly & Testing**



ISO quality
off-the-shelf
to market-ready®

NEW AGE ENCLOSURES

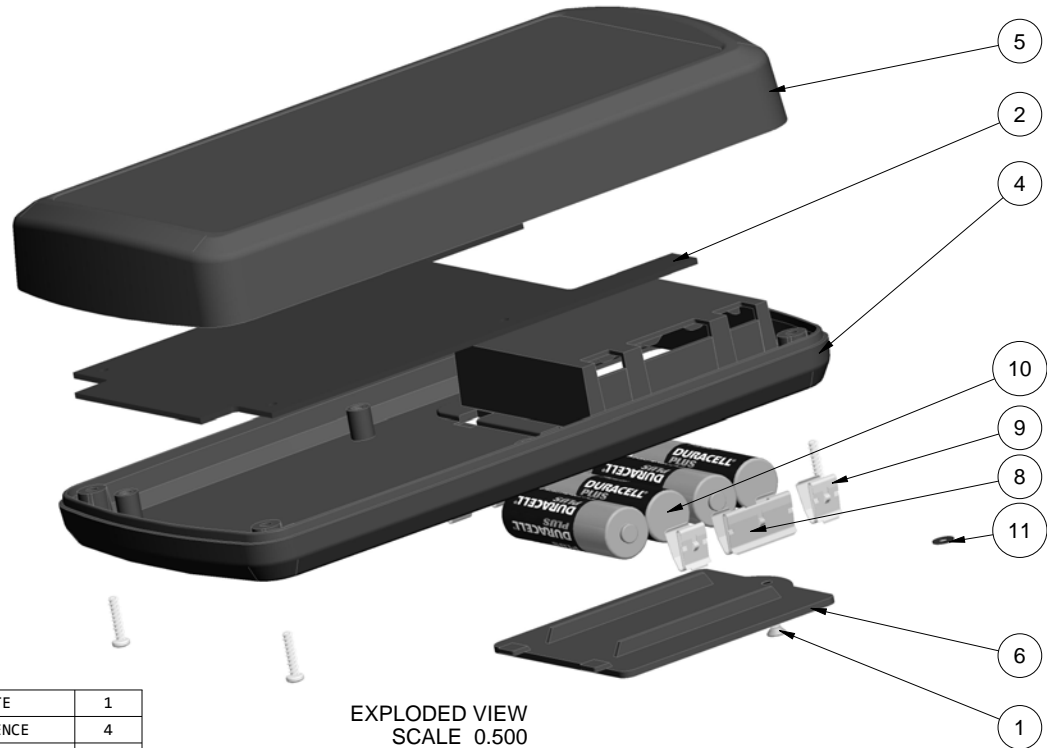
www.NewAgeEnclosures.com

4330 Santa Fe Road • San Luis Obispo, CA 93401 • T 805.595.1310 • F 805.595.1024

NOTES: UNLESS OTHERWISE SPECIFIED

1. CORNERS DRAWN SHARP TO BE R.005 MAXIMUM.
2. EXTERIOR SURFACE TEXTURE TO BE LIGHT EDM FINISH. EQUIVELANT TO MT-11010.
3. INTERIOR SURFACE TEXTURE TO BE: NONE.
4. ALL INSIDE RADII .010R. UNLESS OTHERWISE SPECIFIED.
5. ALL EXTERNAL DIMENSIONS AFFECTED BY THE DRAFT APPLY AT THE LARGE END OF THE FEATURE, AND ALL INTERNAL FEATURES AFFECTED BY THE DRAFT APPLY AT THE SMALL END OF THE FEATURE UNLESS OTHERWISE SPECIFIED.
6. 1 DEGREE DRAFT IN THE DIRECTION OF PULL IS PERMISSIBLE UNLESS OTHERWISE SPECIFIED.
7. MATERIAL / COLOR: ABS PLASTIC IS STANDARD IN BLACK OR WHITE. CUSTOM MATERIALS AND COLORS ARE AVAILABLE UPON REQUEST FOR QUOTE.
8. PCB SIZES ARE RECOMMENDATIONS ONLY. FINAL SIZES AND VERIFICATION OF IT'S FIT ARE THE SOLE RESPONSIBILITY OF EACH OWNER.
9. STANDARD OR CUSTOM LABEL RECESSES ARE AVAILABLE UPON REQUEST FOR QUOTE.
10. ASSEMBLY SCREWS PROVIDED. PCB SCREWS AND BATTERY CONTACTS ARE SOLD SEPERATELY.
11. BATTERY CLIPS AVAILABLE. ASK REP. FOR DETAILS
12. HARDWARE CALLOUT:
 - a) ASSY BOSS - 4ea .500" #4 HI-LOW SCREW
 - b) PCB BOSS - 4ea .187" #4 HI-LOW SCREW (Not Included)
 - c) BATTERY HATCH - 1ea 4-40 BRASS INSERT
 - 1ea 4-40 FLATHEAD SCREW
 - 1ea #2 RETAINER WASHER

R E V I S I O N					
REV.	DRAWN BY	ECO No	DESCRIPTION	DATE	APPROVED
1	M BOYER		PRELIMINARY RELEASE	08-Jul-04	D.C.
2	M BOYER		RELEASED	09-Jul-04	D.C.
3	M BOYER		MODIFIED BATTERY COMPARTMENT	06-Aug-04	D.C.
4	M BOYER	0208	UPDATE FORMAT	15-May-08	D.C.
5	M BOYER	4209	REDUCE SIZE OF ASSEMBLY SCREW HOLE ON BASE	04-Nov-09	D.C.
5.1	M BOYER	0710	UPDATE FORMAT	26-Mar-10	D.C.
5.2	M BOYER	0412	ADD NYLON WASHER TO BOM	13-Feb-12	D.C.
5.3	M BOYER	04715	CHANGE ASSY SCREW FROM #6x.250 TO #4x.500	2015-Nov-04	



EXPLODED VIEW
SCALE 0.500

ITEM	FILE NAME	DESCRIPTION	MATERIAL	COLOR	QTY.
11	WASHER_91755A2	WASHER NYLON RETAINING #2	NYLON	WHITE	1
10	BATTERY_AA	BATTERY - CUSTOMER SUPPLIED	SIZE "AA"	REFERENCE	4
9	SM_CLIP	ACC-AACLIP-209	STEEL	NICKEL PLATED	2
8	LG_CLIP	ACC-AACLIP-210	STEEL	NICKEL PLATED	3
7	SCREW_HILO-N04X500	#4 HiLo x .500" SCREW	ZINK PLATED	INCLUDED	4
6	784114_HATCH	784114 HATCH - STANDARD	ABS	BLACK or WHITE	1
5	784114_COVER	784114 COVER - STANDARD	ABS	BLACK or WHITE	1
4	784114_BASE	784114 BASE - STANDARD	ABS	BLACK or WHITE	1
3	4-40_INSERT	PEM STKB-440-8	STK SERIES INSERT	4-40 x .250"	1
2	784114_PCB	784114 PCB - REFERENCE	CUSTOMER SUPPLIED	.062" THICK	1
1	4-40_FLAT-HEAD-SCREW	4-40 FLAT HEAD	4-40 FH x .312"	-	1

BILL OF MATERIALS

THIRD ANGLE PROJECTION
DO NOT SCALE DRAWING

NOTICE: THE INFORMATION AND DATA CONTAINED HEREIN IS CONSIDERED PROPRIETARY TO ALLTEC INTEGRATED MFG INC & SHALL REMAIN THE EXCLUSIVE PROPERTY OF ALLTEC INTEGRATED MFG INC. THE HOLDER WILL ASSUME CUSTODY AND CONTROL THAT THIS DOCUMENT WILL NOT BE COPIED, REPRODUCED, OR DISCLOSED WITHOUT THE EXPRESS WRITTEN CONSENT OF ALLTEC INTEGRATED MFG INC. POSSESSION OF THIS DOCUMENT DOES NOT CONSTITUTE A GRANT TO MANUFACTURE ANY ITEMS.
© 2015

TOLERANCES: UNLESS OTHERWISE SPECIFIED DIMENSIONS ARE IN U.S. INCHES.
X.XX = .015 X.XXXX = .001
X.XXX = .010 X.X" = 1"

NEW AGE ENCLOSURES

Customer's Part No: 784114

APPROVAL	BY	DATE
CHECK		
ENG.		
SCALE	AS NOTED	

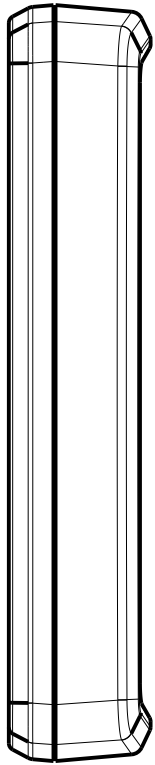
DRAWN BY
M BOYER
08-Jul-04

4330 Santa Fe Road San Luis Obispo, CA. 93401
ph. (805) 595-1310 fax (805) 595-1024
www.newageenclosures.com

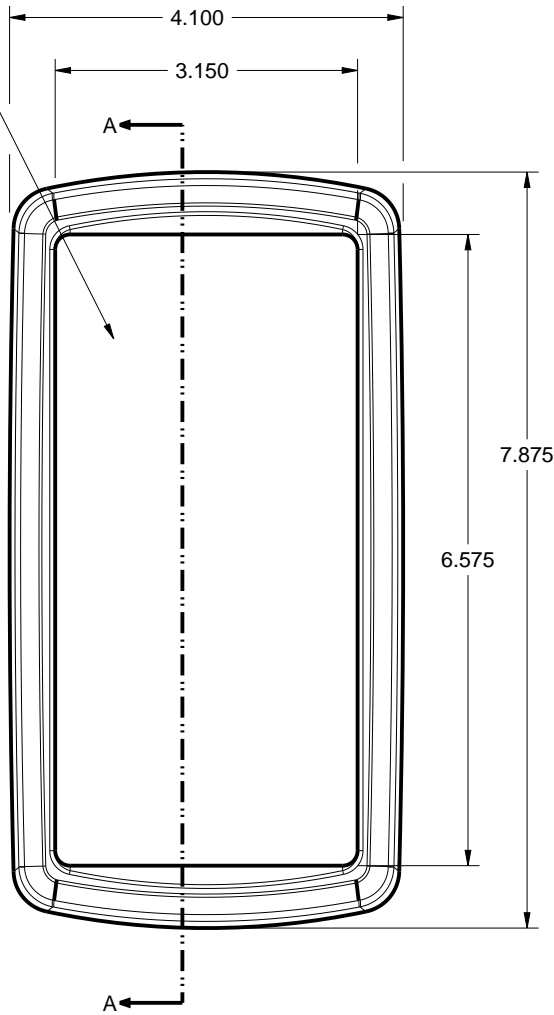
**STANDARD LRG HANDHELD
SXX-784114 ASSEMBLY**

SIZE	DRAWING NAME	SHEET	REV.DOC
A	784114_R5_3	1 OF 7	5.3

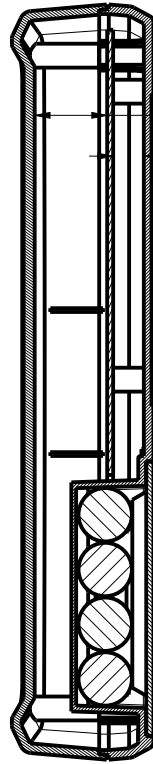
COVER LABEL AREA
AVAILABLE FOR
CUSTOM TOOLING
6.58" x 3.15"



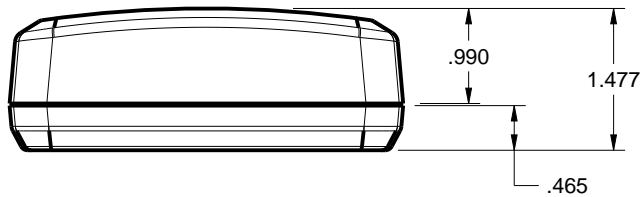
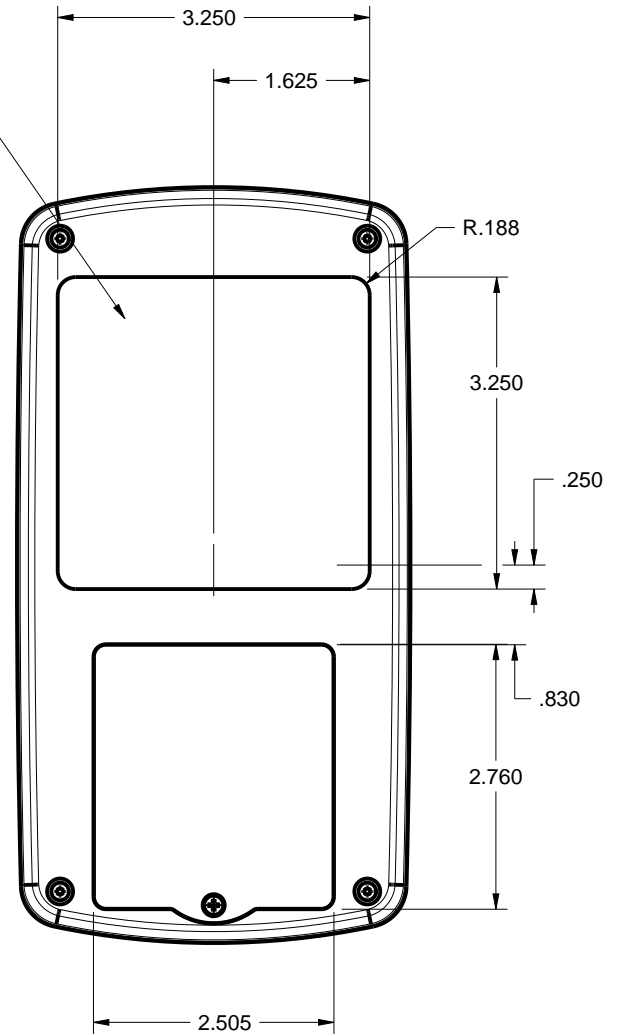
SCALE 0.500



BASE LABEL AREA
AVAILABLE FOR
CUSTOM TOOLING
3.25" X 3.25"



SECTION A-A



TOLERANCES: UNLESS OTHERWISE SPECIFIED
DIMENSIONS ARE IN U.S. INCHES.
X.XX = .015 X.XXXX = .001
X.XXX = .010 X.X° = 1°

NEW AGE ENCLOSURES

Customer's Part No: 784114

APPROVAL	BY	DATE
CHECK		
ENG.		
SCALE	AS NOTED	

DRAWN BY
M BOYER 08-Jul-04

NEW AGE ENCLOSURES

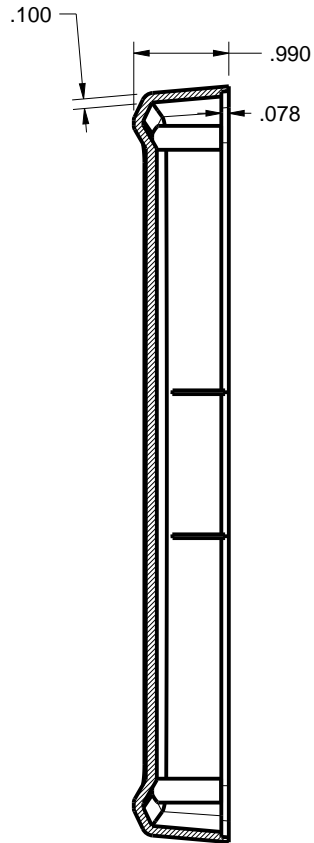
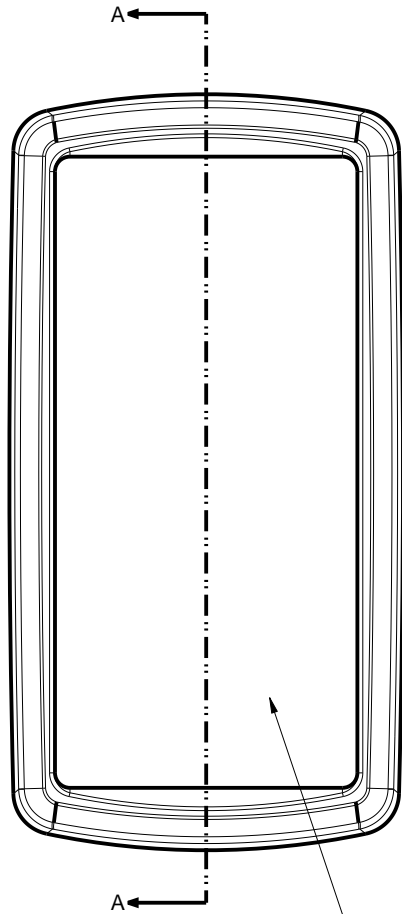
4330 Santa Fe Road San Luis Obispo, CA. 93401
ph. (805) 595-1310 fax (805) 595-1024
www.newageenclosures.com

**STANDARD LRG HANDHELD
SXX-784114 ASSEMBLY**

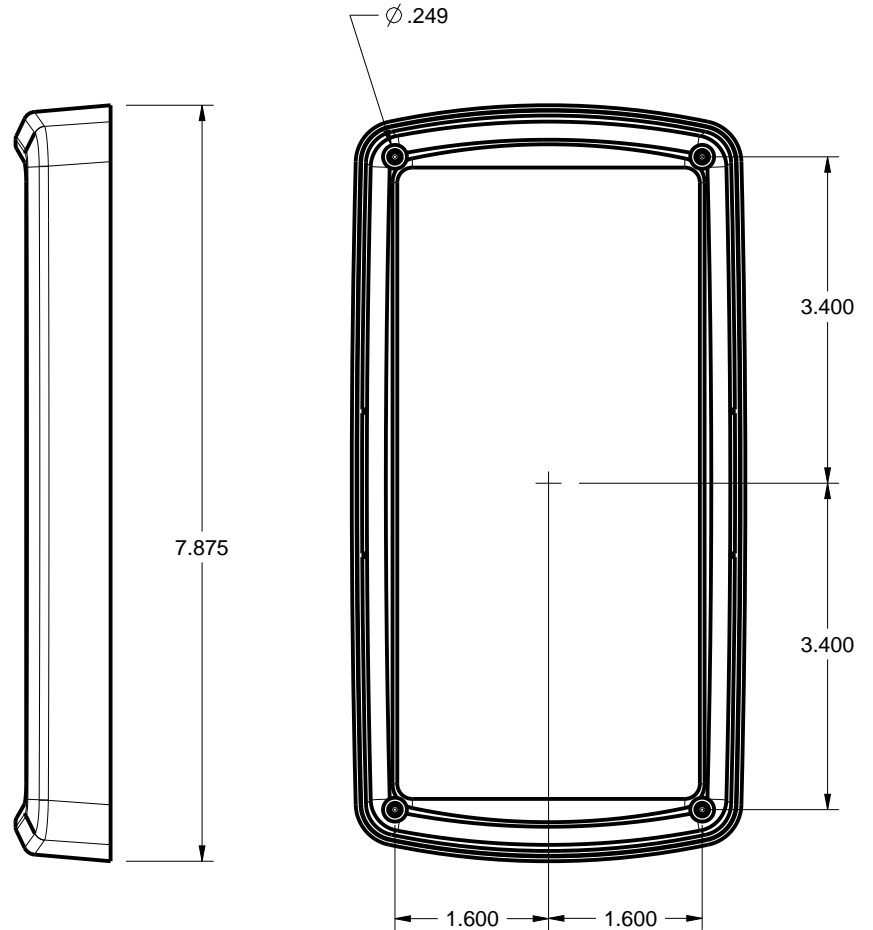
SIZE A DRAWING NAME 784114_R5_3

SHEET 2 OF 7 REV.DOC 5.3

784114 COVER

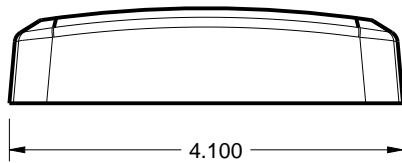


SECTION A-A



SCALE 0.500

LABEL AREA RECESS
AVAILABLE .020 DEEP



TOLERANCES: UNLESS OTHERWISE SPECIFIED
DIMENSIONS ARE IN U.S. INCHES.
X.XX = .015 X.XXXX = .001
X.XXX = .010 X.X° = 1°

NEW AGE ENCLOSURES

Customer's Part No: 784114

APPROVAL	BY	DATE
CHECK		
ENG.		
SCALE	AS NOTED	

DRAWN BY
M BOYER 08-Jul-04

NEW AGE ENCLOSURES

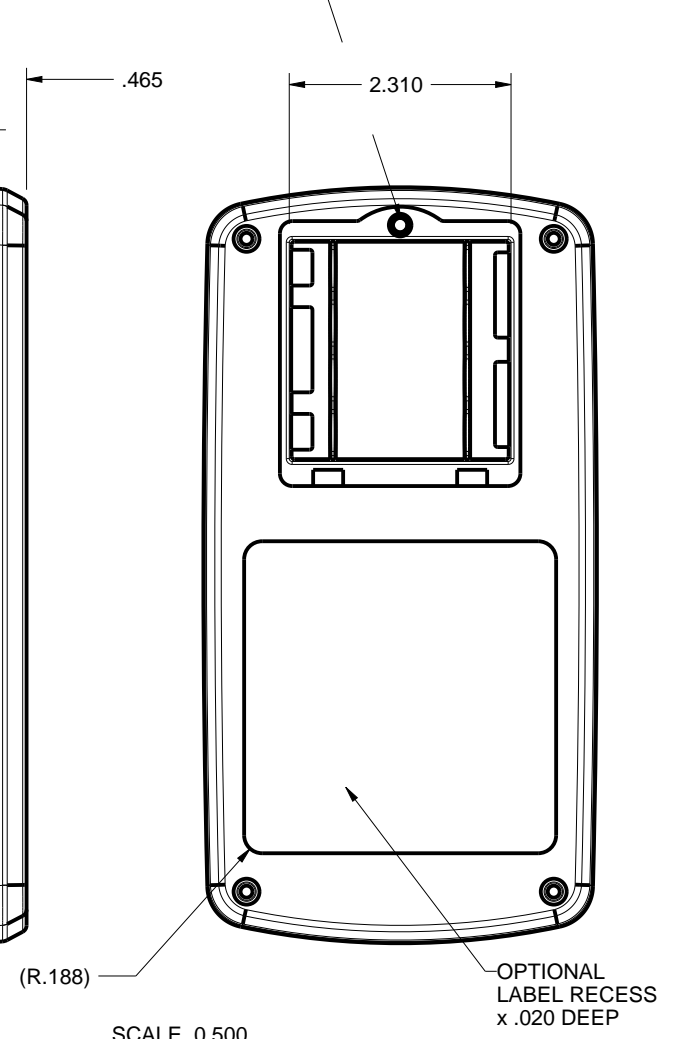
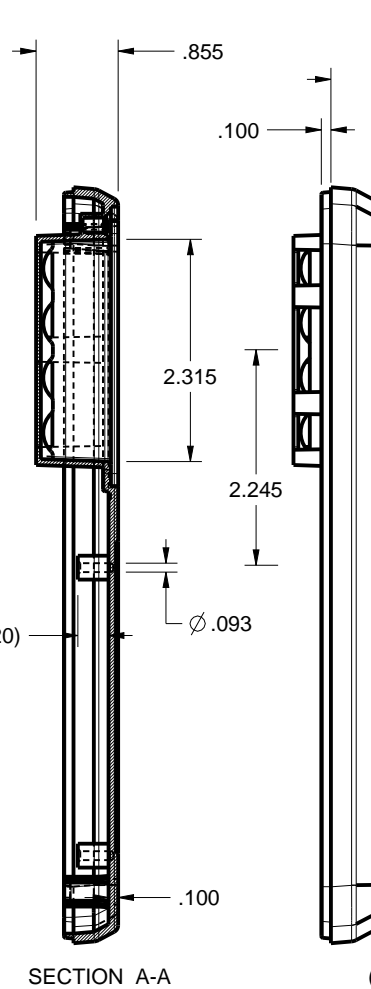
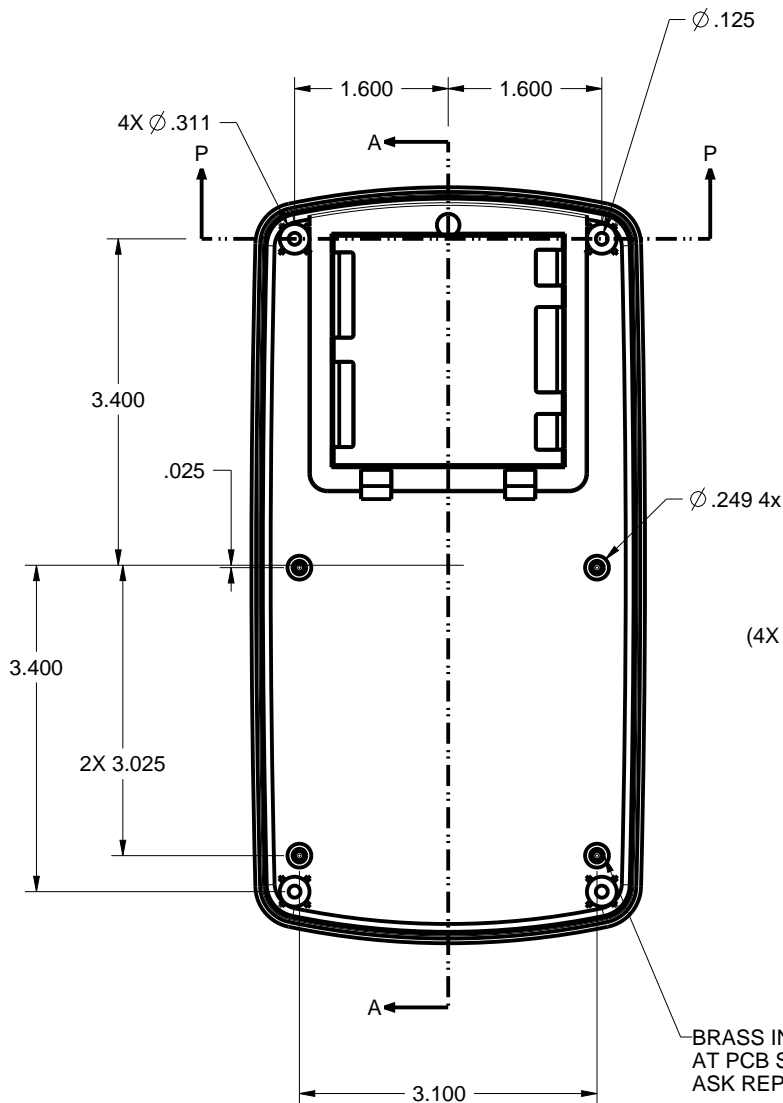
4330 Santa Fe Road San Luis Obispo, CA. 93401
ph. (805) 595-1310 fax (805) 595-1024
www.newageenclosures.com

**STANDARD LRG HANDHELD
SXX-784114 ASSEMBLY**

SIZE A	DRAWING NAME 784114_R5_3	SHEET 3 OF 7	REV.DOC 5.3
-----------	-----------------------------	-----------------	----------------

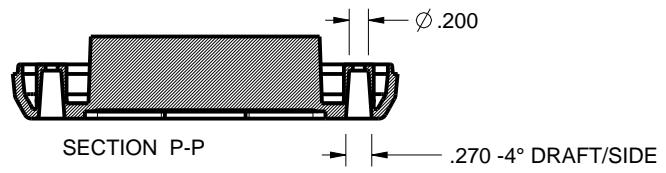
784114 BASE

4-40 BRASS INSERT



BRASS INSERTS AVAILABLE AT PCB STANDOFFS ASK REP FOR DETAILS

SCALE 0.500



TOLERANCES: UNLESS OTHERWISE SPECIFIED DIMENSIONS ARE IN U.S. INCHES.
 X.XX = .015 X.XXXX = .001
 X.XXX = .010 X.X° = 1°

NEW AGE ENCLOSURES
 Customer's Part No: 784114

APPROVAL	BY	DATE
CHECK		
ENG.		
SCALE	AS NOTED	

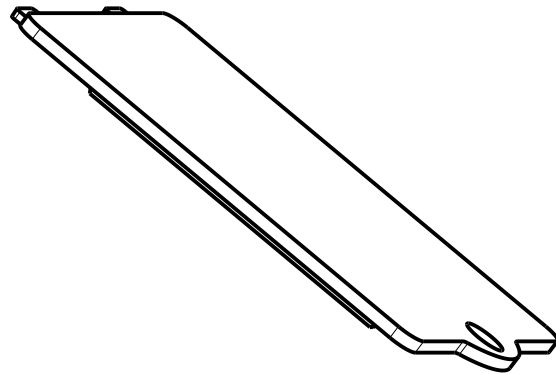
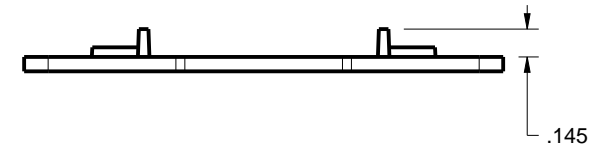
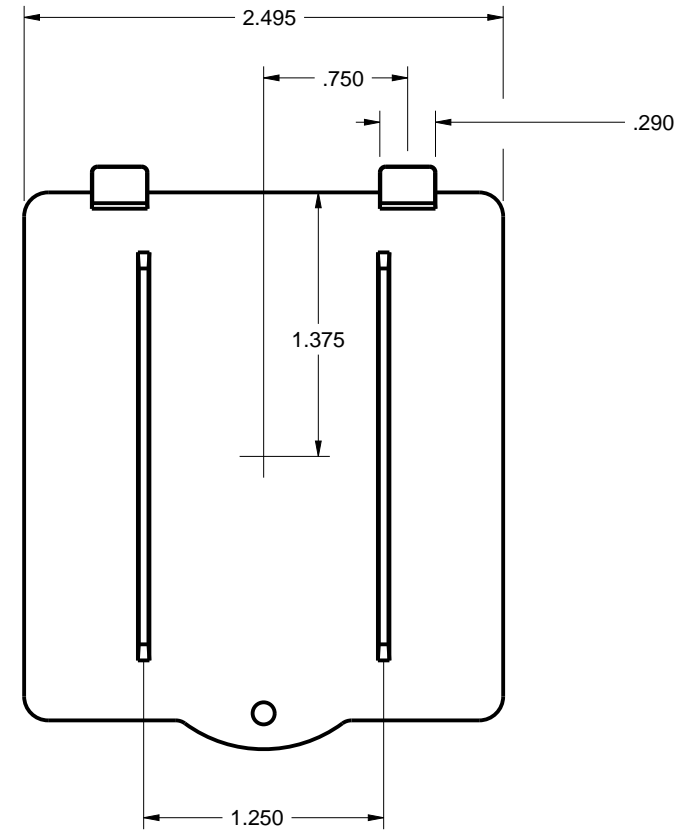
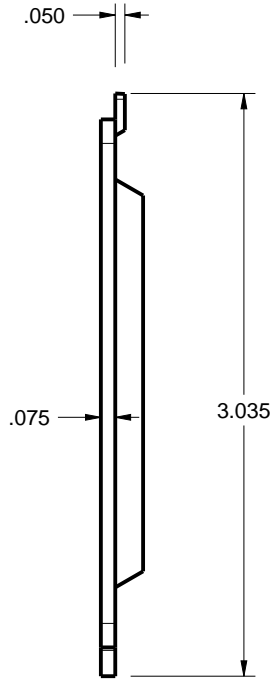
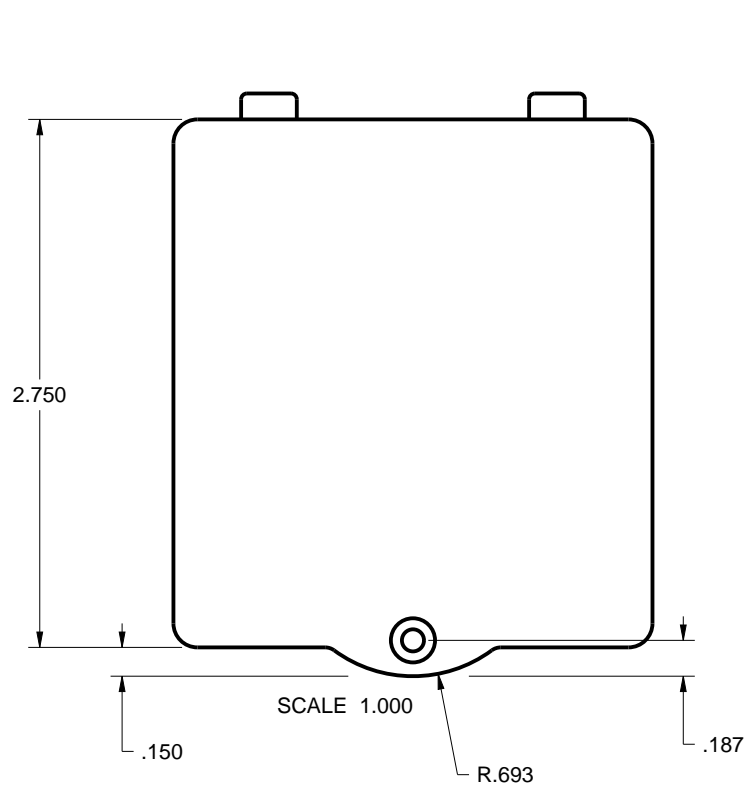
DRAWN BY
 M BOYER 08-Jul-04

NEW AGE ENCLOSURES
 4330 Santa Fe Road San Luis Obispo, CA. 93401
 ph. (805) 595-1310 fax (805) 595-1024
www.newageenclosures.com

**STANDARD LRG HANDHELD
 SXX-784114 ASSEMBLY**

SIZE	DRAWING NAME	SHEET	REV.DOC
A	784114_R5_3	4 OF 7	5.3

784114 BATTERY HATCH



TOLERANCES: UNLESS OTHERWISE SPECIFIED
DIMENSIONS ARE IN U.S. INCHES.
X.XX = .015 X.XXXX = .001
X.XXX = .010 X.X° = 1°

NEW AGE ENCLOSURES

Customer's Part No: 784114

NEW AGE ENCLOSURES

4330 Santa Fe Road San Luis Obispo, CA. 93401
ph. (805) 595-1310 fax (805) 595-1024
www.newageenclosures.com

APPROVAL	BY	DATE
CHECK		
ENG.		
SCALE	AS NOTED	

**STANDARD LRG HANDHELD
SXX-784114 ASSEMBLY**

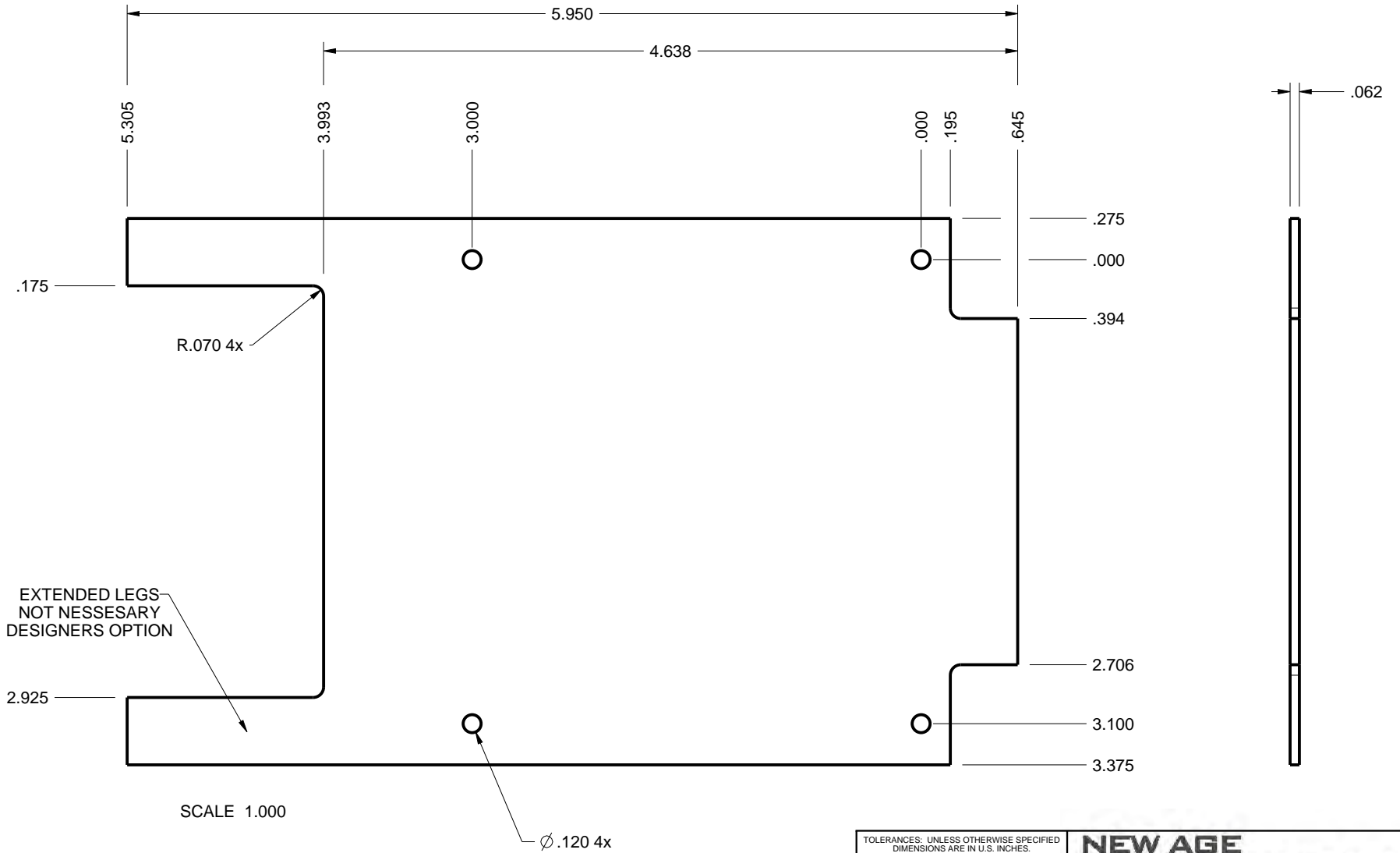
DRAWN BY
M BOYER 08-Jul-04

SIZE A DRAWING NAME
784114_R5_3

SHEET 5 OF 7 REV.DOC 5.3

784114 PCB - CUSTOMER SUPPLIED

PCB SIZES ARE RECOMMENDATIONS ONLY. FINAL SIZES AND VERIFICATION OF IT'S FIT ARE THE SOLE RESPONSIBILITY OF THE OEM.



TOLERANCES: UNLESS OTHERWISE SPECIFIED DIMENSIONS ARE IN U.S. INCHES.
 X.XX = .015 X.XXXX = .001
 X.XXX = .010 X.X° = 1°

NEW AGE ENCLOSURES
 Customer's Part No: 784114

APPROVAL	BY	DATE
CHECK		
ENG.		
SCALE	AS NOTED	

DRAWN BY
 M BOYER 08-Jul-04

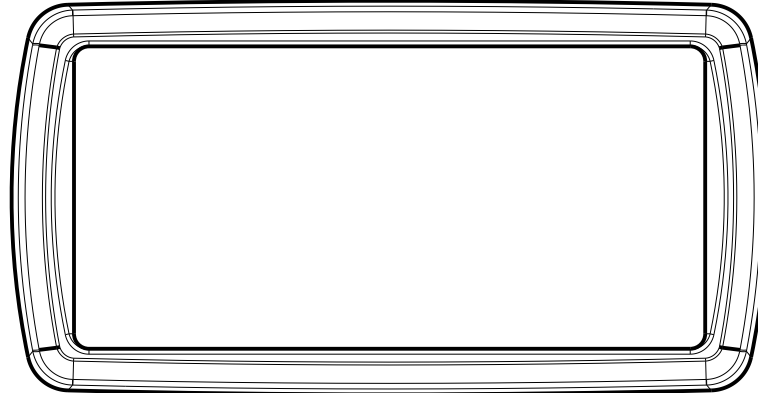
NEW AGE ENCLOSURES
 4330 Santa Fe Road San Luis Obispo, CA. 93401
 ph. (805) 595-1310 fax (805) 595-1024
www.newageenclosures.com

**STANDARD LRG HANDHELD
 SXX-784114 ASSEMBLY**

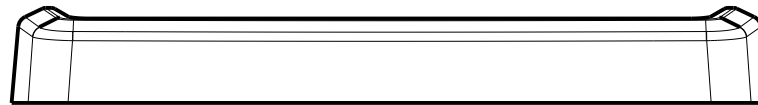
SIZE A	DRAWING NAME 784114_R5_3	SHEET 6 OF 7	REV.DOC 5.3
-----------	-----------------------------	-----------------	----------------

2nd OPERATION DETAILS

NEW AGE ENCLOSURES DELIVERS YOUR ENCLOSURE MARKET-READY WITH IN-HOUSE
 CNC MACHINING, PAD PRINTING, ASSEMBLY, AND FULFILLMENT.
 ALL SURFACES AND AREAS ARE AVAILABLE FOR CNC ALTERATION BY NEW AGE ENCLOSURES
 CALL (805) 595-1310 FOR PRICING AND SCHEDULE.
 THE INSIDE RADIUS OF ANY MACHINED FEATURES SHOULD BE NO SMALLER THAN .031"



SCALE 0.500



SXX-784114X-XXX COVER - ABS, BLACK

STEP NO	DESCRIPTION	CUTTER	FIXTURE	ORIENTATION	PROGRAM
1-C-C1	SIDE	T2 = .062" EM	118	SINGLE	-
2-C-C2	SIDE	T2 = .062" EM	118	-	-
3-C-C3	SIDE	T2 = .062" EM	118	-	-

TOLERANCES: UNLESS OTHERWISE SPECIFIED
 DIMENSIONS ARE IN U.S. INCHES.
 X.XX = .015 X.XXXX = .001
 X.XXX = .010 X.X° = 1°

NEW AGE ENCLOSURES

Customer's Part No: 784114

APPROVAL	BY	DATE
CHECK		
ENG.		
SCALE	AS NOTED	
DRAWN BY	08-Jul-04	
M BOYER		

NEW AGE ENCLOSURES

4330 Santa Fe Road San Luis Obispo, CA. 93401
 ph. (805) 595-1310 fax (805) 595-1024

www.newageenclosures.com

**STANDARD LRG HANDHELD
 SXX-784114 ASSEMBLY**

SIZE	DRAWING NAME	SHEET	REV.DOC
A	784114_R5_3	7 OF 7	5.3