

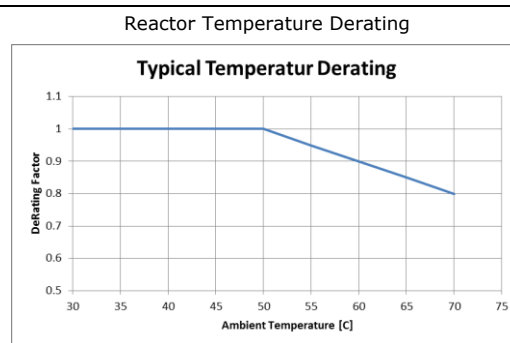
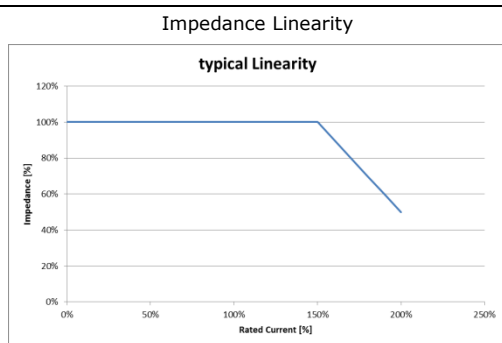
Identification

Type Designation	MR3-CD080-483-0	Type of reactor	3~ Load Reactor
Series	MR3	Core Rating	2456 var
Core type	3UI 114/64	Drive HP / kW	50.0 / 37.0

Technical Data

No. of phase		3
Rated Voltage	[V]	480
Rated Current	[A]	80.0
Rated Frequency	[Hz]	0 - 60
Switching Frequency	[kHz]	2-10
Impedance	[%]	3.0
Inductance	[mH]	0.34
Impedance Tolerance	[%]	±10%
Service Factor	[%]	123.1
Test voltage	[kV]	4.0
Isolation System Class		180
Temperature Rise	[C]	115


Typical Characteristics




Operating conditions

Rated Ambient temperature	[C]	-10 ... +50°C
	[F]	15 ... 122°F
Type of cooling		AN
Operating conditions		24/7
max Altitude without derating	[m]	2000
	[ft]	6600

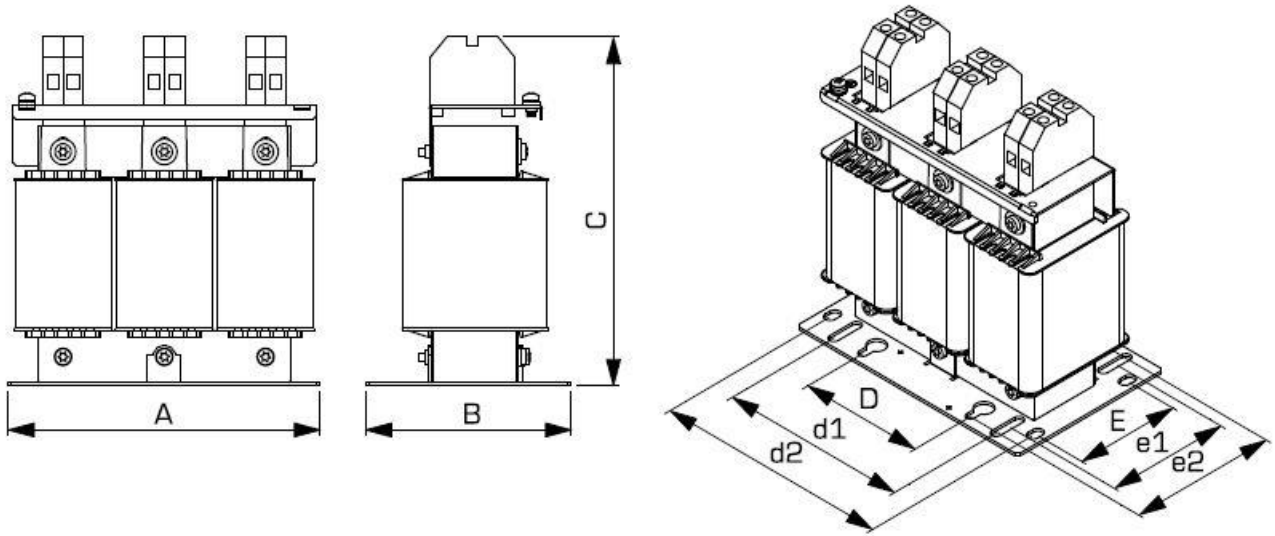
Standards

Type:	Markings:
VDE 0570 / EN 61 558 Part 1 VDE 0570 / EN 61 558 Part 20	

Approvals

UL 508		E219022 NMTR
--------	---	--------------

Dimensions / Mounting in Inches



A	B	C*	F	D	d1	d2	E	e1	e2	Drill
9.06	5.87	10.04	-	6.93	7.09	8.30	3.74	4.80	5.00	0.31x0.47
										0.31x0.47
										0.31x0.47

* = Typical variable air gab

Weight

Weight	[kg]	18.20
	[lbs]	40.12

Type 1 / IP21 protection

Enclosure Type: -
 Ordering-Code: -

Notes

Technical specifications in the drawing are not binding. General tolerance to DIN 7168-m. Subject to change.
 Mounting plates also available in stainless steel as OEM application. Ask for details.