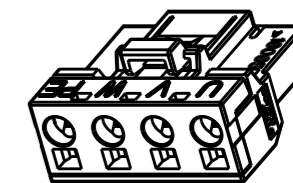
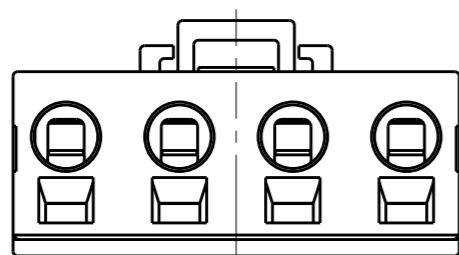


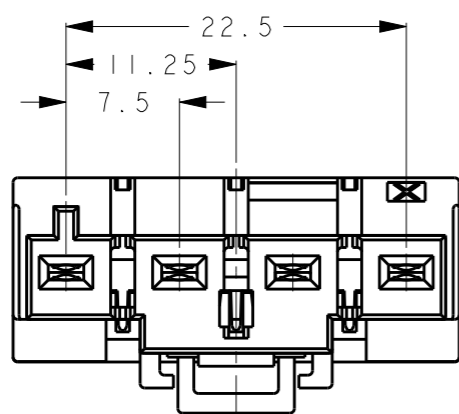
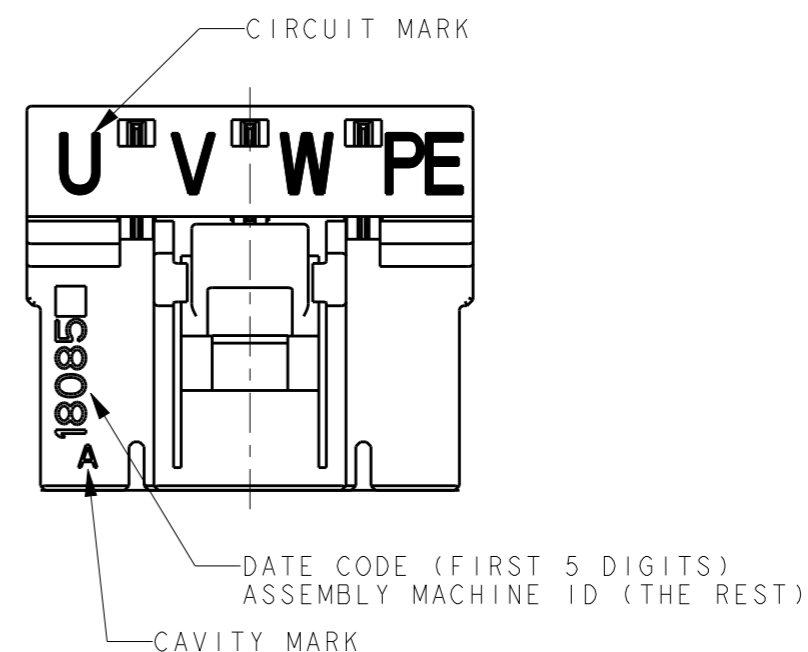
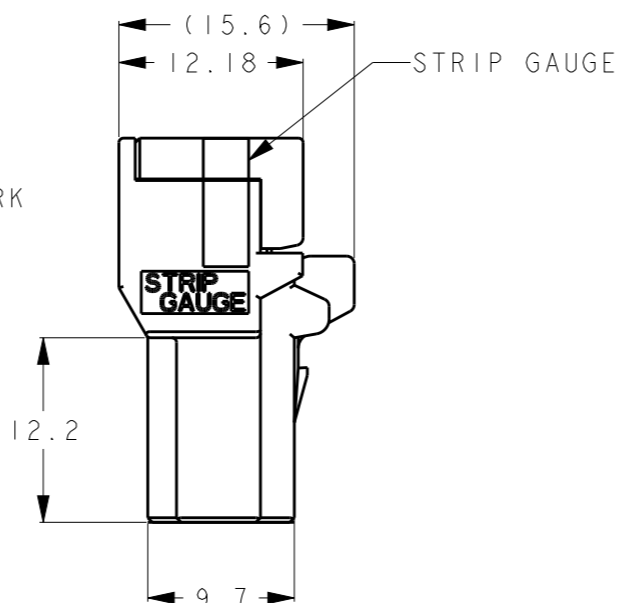
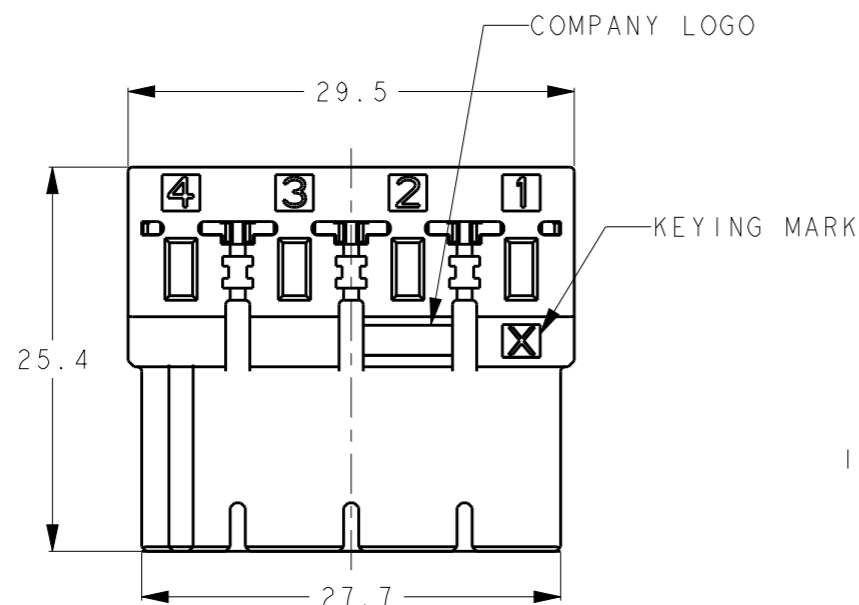
THIS DRAWING IS UNPUBLISHED. RELEASED FOR PUBLICATION 20
 © COPYRIGHT 20 BY - ALL RIGHTS RESERVED.

REVISIONS

P	LTR	DESCRIPTION	DATE	DWN	APVD
	A	RELEASED	25MAY2018	K.T	E.I
	B	REVISED	12JUN2018	K.T	E.I



SCALE 1:1



- 1 MATERIAL
 HOUSING: THERMOPLASTIC POLYESTER
 CONTACT: COPPER ALLOY
 SPRING: STAINLESS STEEL
- 2 PLATING
 CONTACT POINT: UNDER Ni PLATING.
 OVER Au PLATING.
 CABLE CLAMPING POINT: UNDER Ni PLATING.
 OVER Tin PLATING

X	4	1-2331743-4
KEYING	POSN	PART NUMBER

1-2331743-4(4POSN KEY: X)

THIS DRAWING IS A CONTROLLED DOCUMENT.		DWN K. TERAJIMA 25MAY2018	TE Connectivity	
DIMENSIONS: mm		CHK T. SHIMOYASU 25MAY2018		
TOLERANCES UNLESS OTHERWISE SPECIFIED: ± 0.3		APVD E. IKEMATSU 25MAY2018	NAME RECEPTACLE ASSEMBLY DYNAMIC 3950	
0 PLC ± 1 PLC ± 2 PLC ± 3 PLC ± 4 PLC ± ANGLES ±3°		PRODUCT SPEC 108-78997	SIZE A300779	
MATERIAL SEE NOTE		APPLICATION SPEC 411-78272	DRAWING NO C-2331743	
FINISH -		WEIGHT -	RESTRICTED TO -	
-		CUSTOMER DRAWING	SCALE 2:1	SHEET 1 OF 1