

Vapor Actuated Thermometers Types TI.V20, TI.V25, TI.V35, TI.V45 Remote Reading

WIKA Datasheet TI.VXX

Applications

- Oil and gas industries
- Petrochemical and chemical industries
- Power generation and food processing
- Pulp & paper and HVAC/R

Special Features

- CBM and lower connection
- Remote reading
- Stainless steel case



Vapor Actuated Thermometer Model V25FB

Standard Features

Size

TI.V20 - 2" (50.8 mm), TI.V25 - 2½" (63.5 mm),
TI.V35 - 3½" (88.9 mm), TI.V45 - 4½" (114.3mm)

Case

Front flange (2", 2½")
U-clamp (2", 2½", 3½")
Back flange (3½", 4½")
Front flange, semi flush (3½", 4½")

Case Connection

CBM and lower

Process Connection

Plain, union, or thermowell

Bulb

Union- 7/16" diameter (length is dependent upon capillary length)
Plain- 3/8" diameter (length is dependent upon capillary length)

Capillary

Copper- plain or with braided armor
Stainless steel- plain or with interlocking armor

Dials

White coated aluminum with black markings

Pointer

Adjustable, balance, aluminum with matte black finish

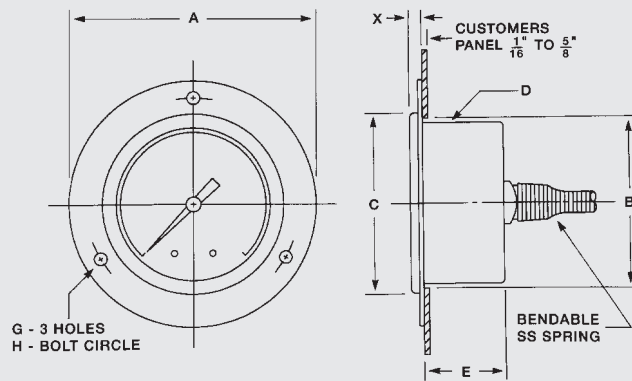
Window

Glass, Lexan

STANDARD RANGES - Dual Scale
-40/60° F & C
-40/110° F & C
-20/100° F & C
0/150° F & C
0/180° F & C
20/220° F & C
40/240° F & C
30/300° F & C
100/350° F & C
150/450° F & C ¹⁾

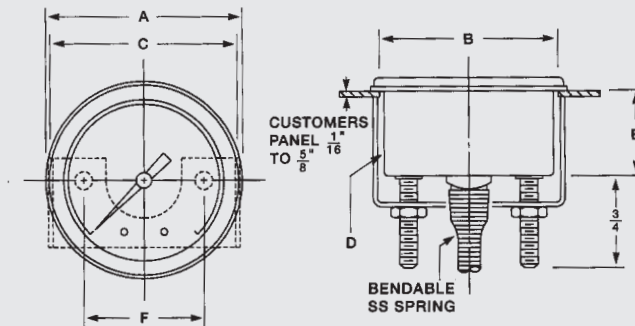
¹⁾ Only available with stainless steel capillary

Dimensions



Front Flange Case Dimensions

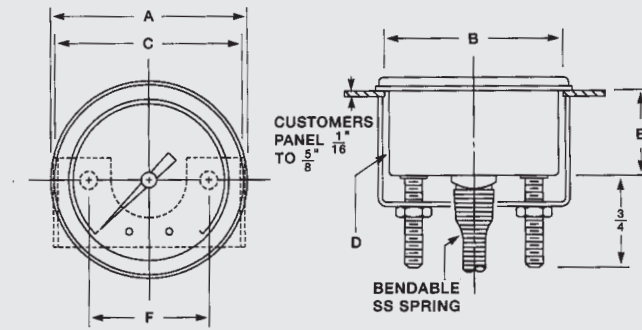
Model	Case Size	Conn.	Panel Hole		C	D	E	F	G	H
			A	B						
V20FB	2"	Back	2-15/16"	2-1/16"	2-11/64"	2-1/32"	31/32"	-	9/64"	2-9/16"
V25FB	2-1/2"	Back	3-11/16"	2-39/64"	2-7/8"	2-9/16"	1"	-	11/64"	3-5/16"



U-Clamp Dimensions

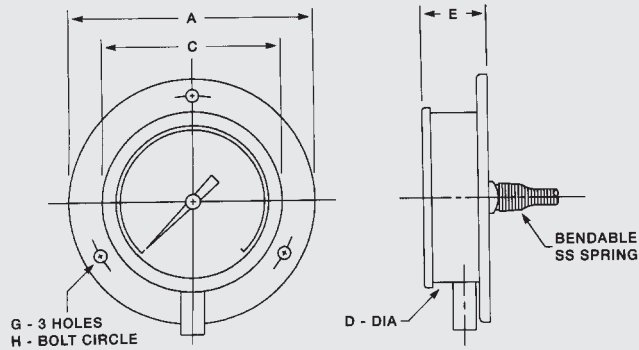
Model	Case Size	Conn.	Panel Hole		C	D	E	F
			A	B				
V20UB	2"	Back	2-7/32"	2-1/16"	-	2-1/32"	31/32"	1-3/8"
V25UB	2-1/2"	Back	2-13/16"	2-39/64"	-	2-9/16"	1"	2"

Dimensions continued



U-Clamp Dimensions

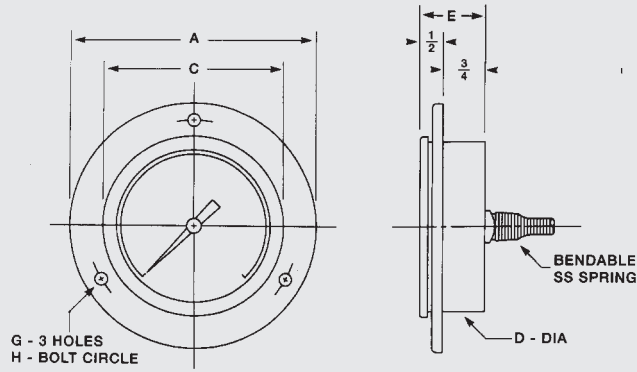
Model	Case Size	Conn.	A	Panel Hole B	C	D	E	F
V35UB	3-1/2"	Back	3-7/8"	3-5/8"	-	3-19/32"	1"	3-1/16"



Back Flange Case Dimensions

Model	Case Size	Conn.	A	Panel Hole C	D	E	G	H
V35BB	3-1/2"	Back	4-3/4"	3-3/16"	3-19/32"	1-1/4"	5/32"	4-5/16"
V35BL	3-1/2"	Bottom	4-3/4"	3-3/16"	3-19/32"	1-1/4"	5/32"	4-5/16"
V45BB	4-1/2"	Back	5-7/8"	4-11/16"	4-19/32"	1-1/4"	7/32"	5-3/8"
V45BL	4-1/2"	Bottom	5-7/8"	4-11/16"	4-19/32"	1-1/4"	7/32"	5-3/8"

Dimensions continued



Semi-Flush Dimensions

Model	Case Size	Conn.	A	C	D	E	G	H	Panel Hole
V35RB	3-1/2"	Back	4-3/4"	3-11/16"	3-19/32"	1-1/4"	5/32"	4-5/16"	3-5/8"
V45RB	4-1/2"	Back	5-7/8"	4-11/16"	4-19/32"	1-1/4"	7/32"	5-3/8"	4-5/8"

Ordering information

State computer part number (if available) /type number/size/range/connection size and locations/options required. WIKA reserves the right to make changes without prior notice.



WIKA Instrument, LP
 1000 Wiegand Boulevard
 Lawrenceville, GA 30043-5868
 Tel: 888-WIKA-USA • 770-513-8200
 Fax: 770-338-5118
 E-Mail: info@wika.com
 www.wika.com