

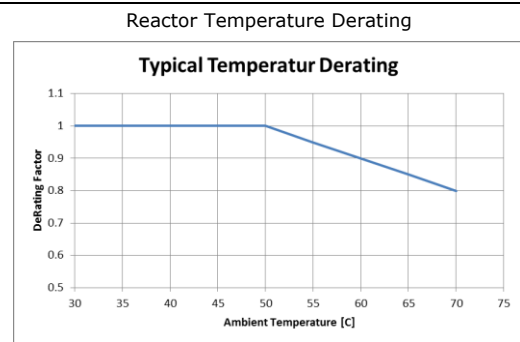
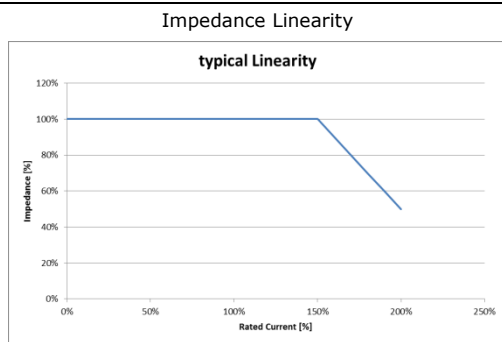
Identification

| | | | |
|------------------|------------------------|-----------------|------------------------|
| Type Designation | MR3-CD012-483-0 | Type of reactor | 3~ Load Reactor |
| Series | MR3 | Core Rating | 327 var |
| Core type | 3UI 75/41,5 | Drive HP / kW | 7.5 / 5.6 |

Technical Data

| | | |
|------------------------|---------|---------------|
| No. of phase | | 3 |
| Rated Voltage | [V] | 480 |
| Rated Current | [A] | 12.0 |
| Rated Frequency | [Hz] | 0 - 60 |
| Switching Frequency | [kHz] | 2-16 |
| Impedance | [%] | 3.0 |
| Inductance | [mH] | 2.00 |
| Impedance Tolerance | [%] | ±10% |
| Service Factor | [%] | 109.1 |
| Test voltage | [kV] | 4.0 |
| Isolation System Class | | 180 |
| Temperature Rise | [C] | 115 |

Typical Characteristics



Operating conditions

| | | |
|-------------------------------|--------|----------------------|
| Rated Ambient temperature | [C] | -10 ... +50°C |
| | [F] | 15 ... 122°F |
| Type of cooling | | AN |
| Operating conditions | | 24/7 |
| max Altitude without derating | [m] | 2000 |
| | [ft] | 6600 |

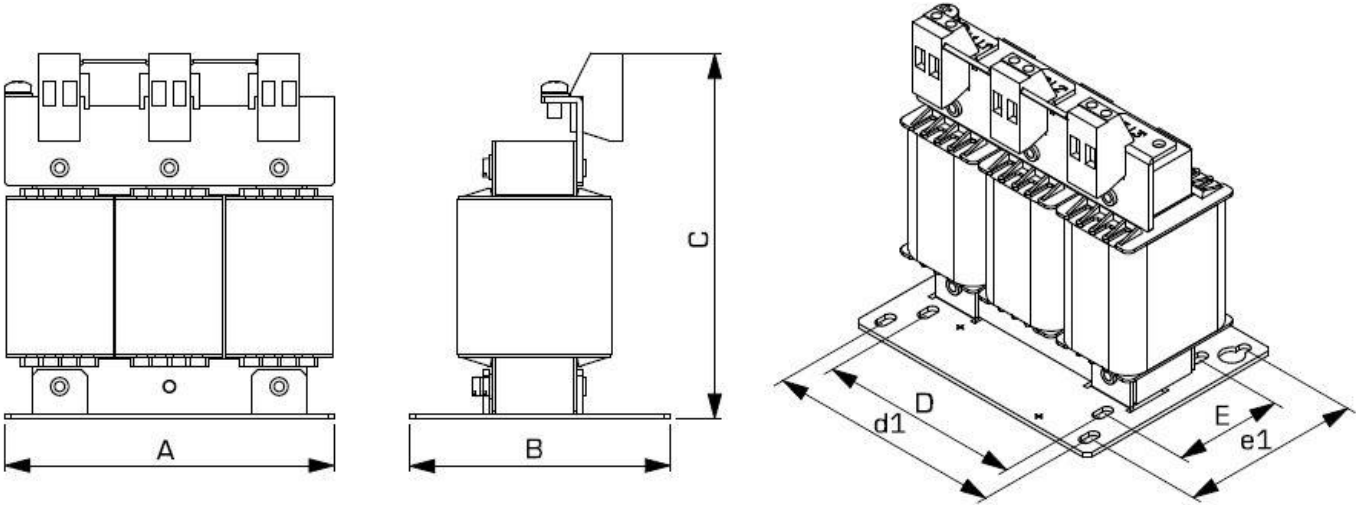
Standards

| | |
|---|-----------|
| Type: | Markings: |
| VDE 0570 / EN 61 558 Part 1 VDE 0570 / EN 61 558 Part 20 | |

Approvals

| | | |
|--------|--|--------------|
| UL 508 | | E219022 NMTR |
|--------|--|--------------|

Dimensions / Mounting in Inches



| A | B | C* | F | D | d1 | d2 | E | e1 | e2 | Drill |
|------|------|------|---|------|------|----|------|------|----|-----------|
| 6.10 | 4.33 | 6.38 | - | 4.45 | 5.31 | - | 2.56 | 3.74 | - | 0.22x0.43 |
| | | | | | | | | | | 0.22x0.43 |
| | | | | | | | | | | - |

* = Typical variable air gab

Weight

| | | |
|--------|---------|-------|
| Weight | [kg] | 4.64 |
| | [lbs] | 10.23 |

Type 1 / IP21 protection

Enclosure Type: -
 Ordering-Code: -

Notes

Technical specifications in the drawing are not binding. General tolerance to DIN 7168-m. Subject to change.
 Mounting plates also available in stainless steel as OEM application. Ask for details.