

## ▶▶▶ PROFIBUS Protocol Communication

The CMPB plug-in module expands the communication capabilities of our CR3000 HMI operator interface panels by seamlessly integrating with PROFIBUS DP protocol networks.

Red Lion's CMPB module provides easy integration of CR3000 HMIs with PROFIBUS Decentralized Periphery "DP" protocol networks, allowing translation to more than 300 machine protocols. Configure the CMPB module using Red Lion's Crimson® software, which makes setup simple via an intuitive graphical user interface with drag-and-drop functionality.



### APPLICATIONS

- > Automotive
- > Food & Beverage
- > Factory Automation
- > OEM Machine Builders
- > Water/Wastewater

### PRODUCT HIGHLIGHTS

- > Seamless PROFIBUS DP network integration
- > Automatic baud rate detection
- > Support for over 300 machine protocols
- > All-in-one solution

### FEATURES & BENEFITS

- > PROFIBUS DP protocol conversion
  - Easily integrates CR3000 HMI units into PROFIBUS DP protocol networks
  - 9-pin serial connector for easy installation
  - Automatic baud rate detection from 9.6 Kbaud to 12 Mbaud
  - Converts between PROFIBUS and more than 300 machine protocols
- > All-in-one solution
  - Removes need for external devices and communication gateways
  - Cost-effectively saves space and time
- > -10 to 50 °C operating temperature
  - Reliably works in harsh environments
- > Powered from CR3000 host
  - Simplifies deployment by eliminating external power
- > Easily Programmed
  - Seamless configuration using Red Lion's Crimson desktop software

# ▶▶▶ PROFIBUS Protocol Communication Specifications

## POWER

CMPB Max Power: 2.6 W (supplied by CR3000 host device)

## COMMUNICATION PROPERTIES

PROFIBUS Protocol Port: PROFIBUS DP per EN 50 170  
Baud Rates: 9.6 Kbaud to 12 Mbaud - auto detection  
Station Address: programmable range from 1 to 125  
Isolation from CR3000 HMI Host 500 Vrms VDC for 1 minute  
Output Power: +5 VDC @ 90 mA max. on the D-Sub connector pins 5 (GND) and 6 (+5 V)

## CERTIFICATIONS AND COMPLIANCES

Product Safety:  
UL Safety - Class I, Division 2, Groups A, B, C, D , Class II, Division 2, Groups F and G , Class III Hazardous Locations  
CE Approved:  
EN 61326-1 to Industrial Locations  
IEC/EN 61010-1  
RoHS Compliant

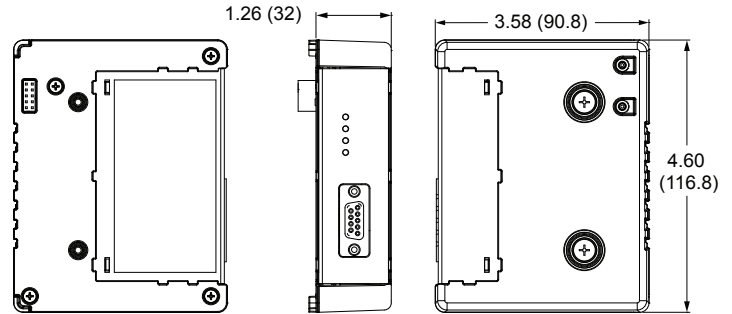
## ENVIRONMENTAL

Operating Temperature Range: -10 to 50 °C  
Storage Temperature Range: -40 to 85 °C  
Operating and Storage Humidity: 85 % max relative humidity, non-condensing, from 0 to 50 °C  
Altitude: Up to 2000 meters

## ORDERING GUIDE

PART NUMBER	DESCRIPTION
CRM000CMPBDP0000	CR3000 Module, PROFIBUS Protocol Interface

## DIMENSIONS *In inches (mm)*



[www.redlion.net](http://www.redlion.net)

**Connect. Monitor. Control.**

**Americas**  
sales@redlion.net

**Asia-Pacific**  
asia@redlion.net

**Europe  
Middle East  
Africa**  
europe@redlion.net

**+1 (717) 767-6511**

As the global experts in communication, monitoring and control for industrial automation and networking, Red Lion has been delivering innovative solutions for over forty years. Our automation, Ethernet and cellular M2M technology enables companies worldwide to gain real-time data visibility that drives productivity. Product brands include Red Lion, N-Tron and Sixnet. With headquarters in York, Pennsylvania, the company has offices across the Americas, Asia-Pacific and Europe. Red Lion is part of Spectris plc, the productivity-enhancing instrumentation and controls company. For more information, please visit [www.redlion.net](http://www.redlion.net).

ADLD0481 061918 ©2018 Red Lion Controls, Inc. All rights reserved. Red Lion, the Red Lion logo, N-Tron and Sixnet are registered trademarks of Red Lion Controls, Inc. All other company and product names are trademarks of their respective owners.