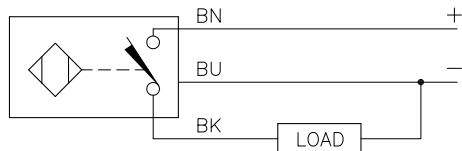


WIRING DIAGRAM

LOCKNUT LN-M18

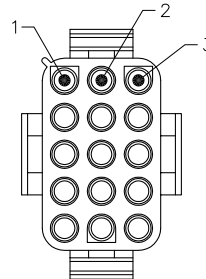
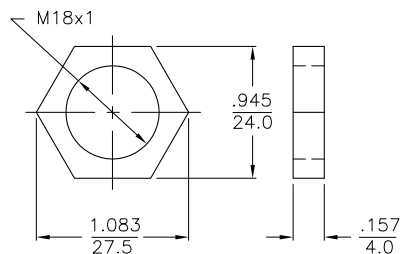
CONNECTOR END VIEW

SPECIFICATIONS



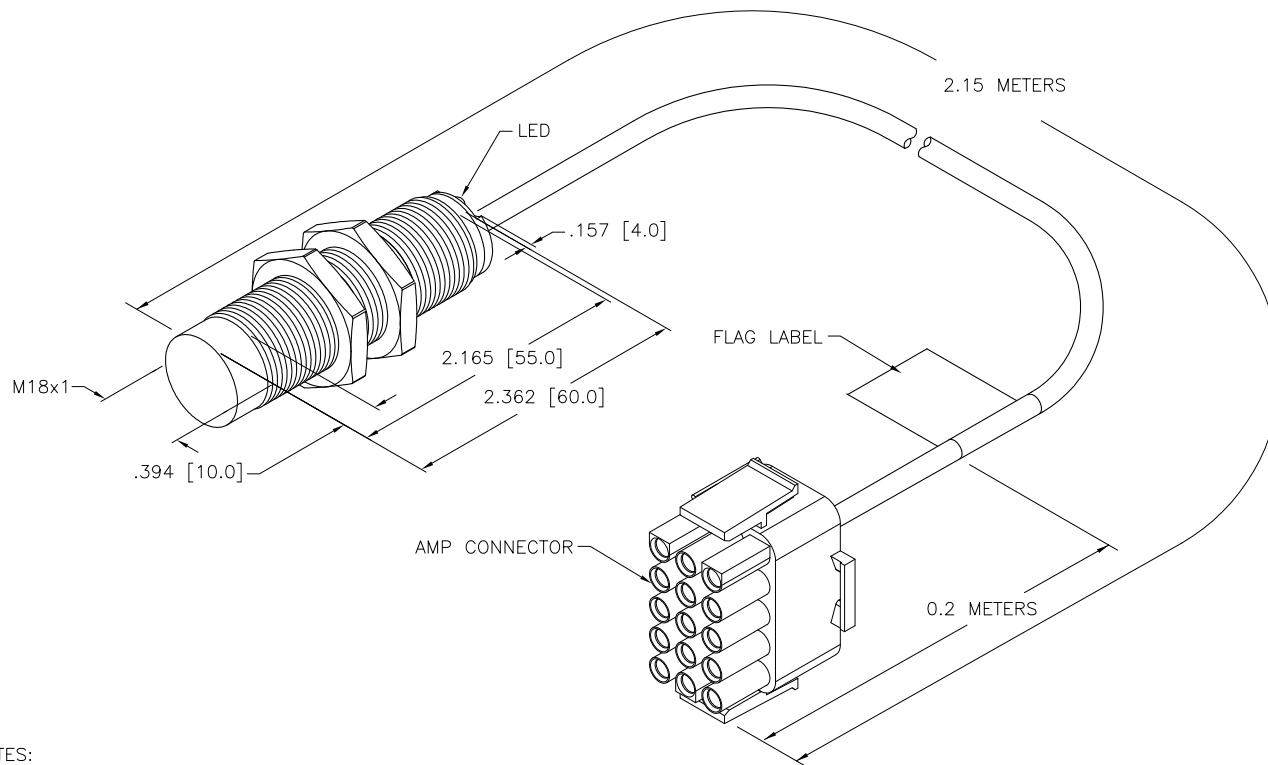
OUTPUT: AP6X

SHORT-CIRCUIT AND OVERLOAD PROTECTED



1 = BROWN  
2 = BLACK  
3 = BLUE

RATED OPERATING DISTANCE	8mm = .315"
MOUNTING MODE	NON-FLUSH
MIN. REPEAT ACCURACY	≤ 2%
TEMPERATURE DRIFT	≤ ±10%
HYSTERESIS	3-15%
OPERATING TEMPERATURE	-40°C to +70°C (-40°F to +158°F)
RATED OPERATIONAL VOLTAGE	10-30 VDC
MAX. RIPPLE	≤ 10%
DC RATED OPERATIONAL CURRENT	≤ 200 mA
NO-LOAD CURRENT	≤ 15 mA
RESIDUAL CURRENT	≤ 0.1 mA
RATED INSULATION VOLTAGE	≤ 0.5 kV
SHORT-CIRCUIT PROTECTION	YES
MAX. VOLTAGE DROP	≤ 1.8 V
WIRE BREAKAGE PROTECTION	INCORPORATED
REVERSE POLARITY PROTECTION	INCORPORATED
OUTPUT FUNCTION	NORMALLY OPEN, 3-WIRE, PNP
MAX. SWITCHING FREQUENCY	≤ 0.5 kHz
HOUSING MATERIAL	BRASS/CHROME PLATED
ACTIVE FACE	PLASTIC, PA12-GF30
END CAP	PLASTIC, PA12-GF30
CABLE	ø5.2, Lifyy, PVC
VIBRATION RESISTANCE	55 Hz, 1 mm AMPLITUDE (IN ALL 3 PLANES)
SHOCK RESISTANCE	30 g, 11 ms
DEGREE OF PROTECTION	IP67
SWITCHING STATUS INDICATION	LED, YELLOW



NOTES:

1. "/CS12241" DESIGNATES CUSTOM AMP CONNECTOR ADDED. SENSOR RATED TO -40°C. 2.15M TOTAL LENGTH FROM END TO END. FLAG LABEL 200MM FROM FRONT OF CONNECTOR.

AMP PART NUMBERS:  
CONNECTOR: 1-480710-0  
PINS: 926898-3 (3x)

PINOUT:  
1 = BROWN  
2 = BLACK  
3 = BLUE

SOURCE DRAWING - FOR REFERENCE ONLY

RELATED DOCUMENTS 1. 2. 3. 4.	3RD ANGLE PROJECTION	THIS DRAWING IS PROPERTY OF TURCK INC. USE OF THIS DOCUMENT WITHOUT WRITTEN PERMISSION IS PROHIBITED.	3000 CAMPUS DRIVE MINNEAPOLIS, MN 55441 1-800-544-7769 (763) 553-7300 (763) 553-0708 fax turck.com	
			DRFT RDS	DATE 12/29/08
MATERIAL SEE NOTES	ALL DIMENSIONS DISPLAYED ON THIS DRAWING ARE FOR REFERENCE ONLY	DSGN	SCALE 1=1.3	IDENTIFICATION NO. T4614787
FINISH SEE NOTES		UNIT OF MEASUREMENT <b>INCH [ MILLIMETER ]</b>		
DO NOT SCALE THIS DRAWING		FILE: T4614787		SHEET 1 OF 1

B	UPDATE PINOUT DESIGNATIONS	RDS	01/19/09	24659
REV	DESCRIPTION	BY	DATE	ECO NO.