

REVISIONS				
REV.	DESCRIPTION	ECN	DATE	APPROVED
G	REFER TO ECN	13330	6/30/15	MPD

MAXIMUM CHARACTERISTICS

Application:

Din rail mountable DC surge protection device (SPD) that offers high performance Silicon Avalanche Suppression Diode technology protection. Tested to meet Class II applications. Typically installs at DC load centers and power distribution systems to protect equipment and power supplies from damaging transients. The replaceable SPD module features visual status indication. The normally green indicator turns black if module needs replacement. Electrically isolated Form C dry contacts provide remote monitoring capability.

Electrical Performance:

Arrestor Class: Class II

Technology: Silicon Avalanche Suppression Diode

Nominal Operating Voltage U_n : 48VDC

Maximum Continuous Operating Voltage U_c : 57VDC

Leakage Current: <10 μ A

Nominal Discharge Surge Current I_n : 2.5kA

Max Discharge Surge Current $I_{max(8/20\mu s)}$: 5kA

Protection Level Up: <130V

Response Time: 1ns

Number of Ports: Single port device

Contact Rating (max switching current): 1A

Testing:

8/20 μ s Current Wave: Up: 130V@2.5kA

Mechanical:

Location: Indoor only

Mounting: Fixed 35mm DIN rail

Dimensions (HxWxD): 90mm x 66.5mm x 18mm [3.54" x 2.62" x .70"]

Weight: 104g [3.7oz]

Maximum Wire Size: 16mm² (stranded) - 25mm² (solid) [4-6AWG]

Stripping Length Terminals: 15mm [0.6"]

Torque Terminals: 4.5Nm

Maximum Wire Size Contacts: 1.5mm² [16AWG]

Stripping Length Contacts: 6-7mm [0.25"]

Torque Contacts: 1Nm

Environmental:

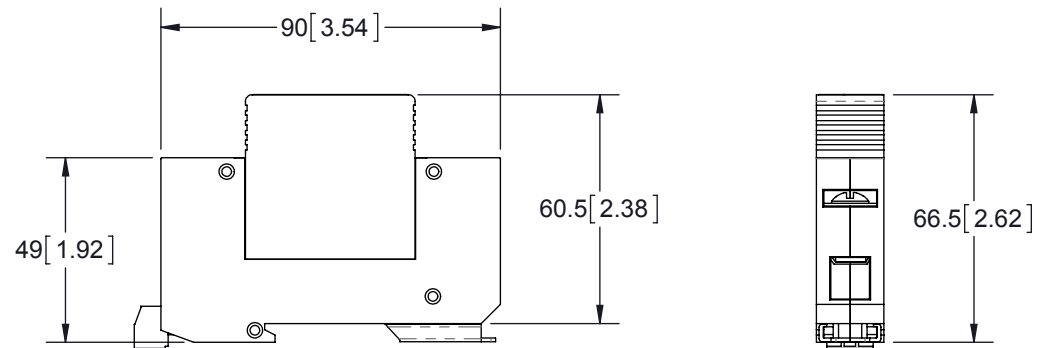
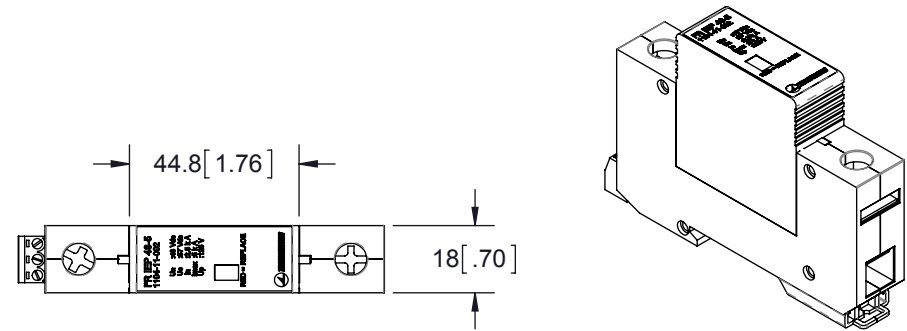
Operating temperature: -40° to +80°C

Relative Humidity: 95%

Enclosure IP Code (IEC EN 60529): IP 20

Housing Inflammability Rating: FRNC-UL94 V-0

RoHS Compliant



CUSTOMER APPROVAL: _____ DATE: _____

ALL DIMENSIONS SHOWN ARE FOR REFERENCE ONLY.

<small>UNLESS OTHERWISE SPECIFIED LEADING DIMENSIONS ARE INCHES DIMENSIONS IN [] ARE MILLIMETERS</small> TOLERANCES: FRACTIONS=± 1/32 .XX=± .50 ANGLES=± 1° .XXX=± .500 <small>NOTICE: THE INFORMATION AND DESIGN IN THIS DOCUMENT IS THE PROPERTY OF TRANSECTOR SYSTEMS. ALL RIGHTS RESERVED.</small>	DRAWN	WHS	DATE	8/5/10		SHEET	1	OF	1					
	ENG APPD	MPD	DATE	10/21/10		SCALE	1:2							
	PRODUCT MGR	JRA	DATE	10/20/10		TITLE CUSTOMER PRINT I2R IEP 48-5 <small>CUSTOMER SPECIFICATION</small>								
	MARKETING APPD	LJ	DATE	10/22/10										
PROJECT NO.	DD55415				SIZE	A	CAGE	30992	PROD CAT	DCT	PART NUMBER	1104-11-002	REV	G
DOCUMENT NAME	1104-11-002-C													

THESE COMMODITIES, TECHNOLOGY OR SOFTWARE WERE EXPORTED FROM THE UNITED STATES IN ACCORDANCE WITH THE EXPORT ADMINISTRATION REGULATIONS. DIVERSION CONTRARY TO U.S. LAW PROHIBITED.