

Printed-circuit board connector - MC 1,5/16-G-3,81 P20 THR - 1829085

Please be informed that the data shown in this PDF Document is generated from our Online Catalog. Please find the complete data in the user's documentation. Our General Terms of Use for Downloads are valid (<http://phoenixcontact.com/download>)

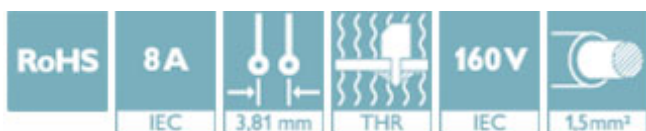
PCB headers, nominal current: 8 A, rated voltage (III/2): 160 V, number of positions: 16, pitch: 3.81 mm, color: black, contact surface: Tin, mounting: THR soldering




The figure shows a 14-pos. version of the product

Why buy this product

- Designed for integration into the SMT soldering process
- Maximum flexibility when it comes to device design – one header for connectors with different connection technologies



Key Commercial Data

| | |
|--------------|---|
| Packing unit | 50 STK |
| GTIN |  4 046356 987547 |
| GTIN | 4046356987547 |

Technical data

Dimensions

| | |
|--------------------------|--------------|
| Length [l] | 9.2 mm |
| Pitch | 3.81 mm |
| Dimension a | 57.15 mm |
| Width [w] | 62.35 mm |
| Constructional height | 6.9 mm |
| Length of the solder pin | 2 mm |
| Pin dimensions | 0,8 x 0,8 mm |
| Hole diameter | 1.4 mm |

General

| | |
|-----------------------------|------------------|
| Range of articles | MC 1,5/...-G-THR |
| Insulating material group | IIIa |
| Rated surge voltage (III/3) | 2.5 kV |

Printed-circuit board connector - MC 1,5/16-G-3,81 P20 THR - 1829085

Technical data

General

| | |
|--|--------|
| Rated surge voltage (III/2) | 2.5 kV |
| Rated surge voltage (II/2) | 2.5 kV |
| Rated voltage (III/3) | 160 V |
| Rated voltage (III/2) | 160 V |
| Rated voltage (II/2) | 250 V |
| Connection in acc. with standard | EN-VDE |
| Nominal current I_N | 8 A |
| Maximum load current | 8 A |
| Insulating material | LCP |
| Flammability rating according to UL 94 | V0 |
| Color | black |
| Number of positions | 16 |

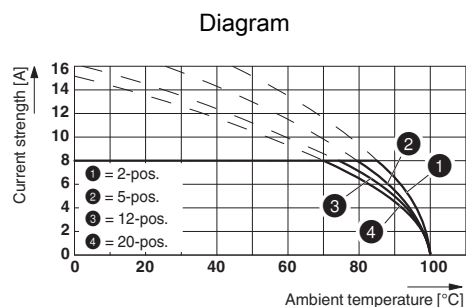
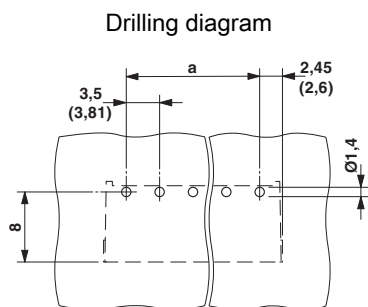
Standards and Regulations

| | |
|--|--------|
| Connection in acc. with standard | EN-VDE |
| Flammability rating according to UL 94 | V0 |

Environmental Product Compliance

| | |
|------------|---|
| China RoHS | Environmentally friendly use period: unlimited = EFUP-e |
| | No hazardous substances above threshold values |

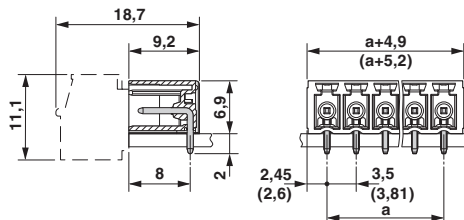
Drawings



Type: FK-MCP 1,5/...-ST(F)-3,81 with MC 1,5/...-G(F)-3,81 P.. THR(R...)

Printed-circuit board connector - MC 1,5/16-G-3,81 P20 THR - 1829085

Dimensional drawing



Approvals

Approvals

Approvals

VDE Gutachten mit Fertigungsüberwachung / cULus Recognized / IEC60320 CB Scheme / EAC

Ex Approvals

Approval details

| | | | |
|---|-------|---|----------|
| VDE Gutachten mit Fertigungsüberwachung | | http://www2.vde.com/de/Institut/Online-Service/VDE-gepruefteProdukte/Seiten/Online-Suche.aspx | 40011723 |
| Nominal current I _N | 8 A | | |
| Nominal voltage U _N | 160 V | | |

| | | | |
|--------------------------------|-------|---|-----------------|
| cULus Recognized | | http://database.ul.com/cgi-bin/XYV/template/LISEXT/1FRAME/index.htm | E60425-20110128 |
| Nominal current I _N | B | D | |
| Nominal voltage U _N | 8 A | 8 A | |
| | 300 V | 300 V | |

| | | | |
|--------------------------------|-------|---|----------------|
| IECEE CB Scheme | | http://www.iecee.org/ | DE1-59621-B1B2 |
| Nominal current I _N | 8 A | | |
| Nominal voltage U _N | 160 V | | |

Printed-circuit board connector - MC 1,5/16-G-3,81 P20 THR - 1829085

Approvals

EAC



B.01742

Phoenix Contact 2018 © - all rights reserved
<http://www.phoenixcontact.com>

PHOENIX CONTACT GmbH & Co. KG
Flachsmarktstr. 8
32825 Blomberg
Germany
Tel. +49 5235 300
Fax +49 5235 3 41200
<http://www.phoenixcontact.com>