

## Panel mounting frames - VS-08-A-RJ45/LP-1-IP67-BK - 1658655


Please be informed that the data shown in this PDF Document is generated from our Online Catalog. Please find the complete data in the user's documentation. Our General Terms of Use for Downloads are valid (<http://phoenixcontact.com/download>)



RJ45 panel mounting frame, IP67, for PCB connection, for square panel cutout, with grommet, without mounting screws, color: black



### Key Commercial Data

Packing unit	5 STK
GTIN	 4 046356 163194
GTIN	4046356163194

### Technical data

#### Mechanical characteristics

Number of slots	1
Insertion/withdrawal cycles	≥ 1000
Color	black
Degree of protection	IP67
Type	RJ45, IP67, version 6

#### Ambient conditions

Ambient temperature (operation)	-40 °C ... 80 °C
Ambient temperature (assembly)	-5 °C ... 55 °C
Ambient temperature (storage/transport)	-40 °C ... 70 °C

#### Material data

Flammability rating according to UL 94	V0
Housing material	PA
Material	Plastic
Sealing material	NBR
Seal material	NBR
Depth	20 mm
Height	32.5 mm

# Panel mounting frames - VS-08-A-RJ45/LP-1-IP67-BK - 1658655

## Technical data

### Electrical characteristics

Degree of pollution	2
---------------------	---

### Standards and Regulations

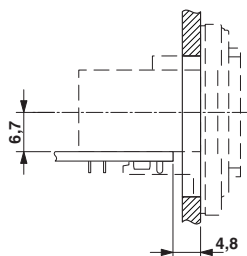
Flammability rating according to UL 94	V0
--	----

### Environmental Product Compliance

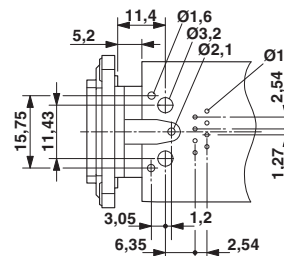
China RoHS	Environmentally friendly use period: unlimited = EFUP-e
	No hazardous substances above threshold values

## Drawings

Dimensional drawing

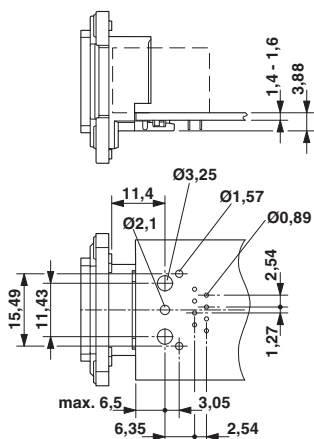


Drilling diagram

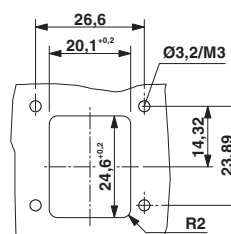


Drilling plan for VS-08-BU-RJ45-6/LH-1

Dimensional drawing



Dimensional drawing



Mounting cutout

Drilling plan for VS-08-BU-RJ45/LP-1

## Approvals

### Approvals

## Panel mounting frames - VS-08-A-RJ45/LP-1-IP67-BK - 1658655

### Approvals

Approvals

EAC

---

Ex Approvals

---

### Approval details

EAC		B.01742
-----	---	---------

---

Phoenix Contact 2018 © - all rights reserved  
<http://www.phoenixcontact.com>

PHOENIX CONTACT GmbH & Co. KG  
Flachsmarktstr. 8  
32825 Blomberg  
Germany  
Tel. +49 5235 300  
Fax +49 5235 3 41200  
<http://www.phoenixcontact.com>