

# Digital display - FA MCR-FDS-II-OLP - 2908782

Please be informed that the data shown in this PDF Document is generated from our Online Catalog. Please find the complete data in the user's documentation. Our General Terms of Use for Downloads are valid (<http://phoenixcontact.com/download>)



Output loop-powered process indicator with HART communication in field housing



## Key Commercial Data

Packing unit	1 STK
GTIN	
GTIN	4055626357096

## Technical data

### Dimensions

Width	131 mm
Height	81.5 mm
Depth	55.5 mm

### Ambient conditions

Ambient temperature (operation)	-40 °C ... 60 °C
Ambient temperature (storage/transport)	-40 °C ... 85 °C
Maximum altitude	< 5000 m (Above sea level)

### Input data

Description of the input	Current measuring input
Current input signal	4 mA ... 20 mA
Max. input current	200 mA
Description of the input	HART
Current input signal	up to 4x HART signals

### Output data

Output name	Current output
Current output signal	4 mA ... 20 mA

# Digital display - FA MCR-FDS-I-I-OLP - 2908782

## Technical data

### Power supply

Supply voltage range	loop-powered, no external supply necessary
----------------------	--

### General

Maximum transmission error	0.1 % (of final value)
Maximum temperature coefficient	< 0.02 %/K
Noise emission	IEC 61326, class B
Housing material	Aluminum
Mounting position	Max. viewing angle range +/- 45° from the centre line of the display in every direction
Conformance	CE-compliant
UL, USA/Canada	UL 61010 Listed

### Standards and Regulations

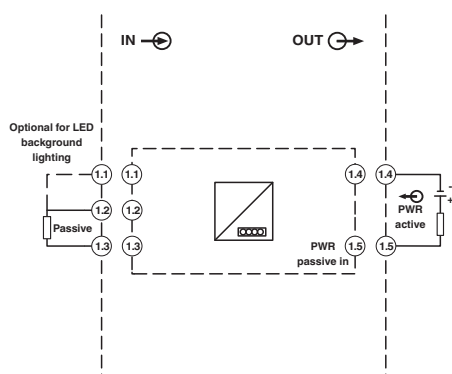
Noise emission	IEC 61326, class B
Conformance	CE-compliant
UL, USA/Canada	UL 61010 Listed

### Environmental Product Compliance

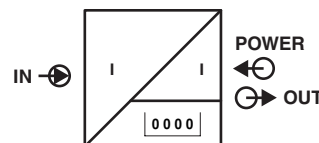
China RoHS	Environmentally Friendly Use Period = 50
	For details about hazardous substances go to tab "Downloads", Category "Manufacturer's declaration"

## Drawings

Block diagram



Pictogram



FA MCR-FDS-I-I-OLP

## Approvals

Approvals

Approvals

UL Listed / cUL Listed / cULus Listed

# Digital display - FA MCR-FDS-I-I-OLP - 2908782

## Approvals


---


Ex Approvals


CSA / CSAus / cCSAus

---

### Approval details

UL Listed		<a href="http://database.ul.com/cgi-bin/XYV/template/LISEXT/1FRAME/index.htm">http://database.ul.com/cgi-bin/XYV/template/LISEXT/1FRAME/index.htm</a>	FILE E 330267
-----------	---	---	---------------

cUL Listed		<a href="http://database.ul.com/cgi-bin/XYV/template/LISEXT/1FRAME/index.htm">http://database.ul.com/cgi-bin/XYV/template/LISEXT/1FRAME/index.htm</a>	FILE E 330267
------------	---	---	---------------

cULus Listed			
--------------	--	--	--

---

Phoenix Contact 2018 © - all rights reserved  
<http://www.phoenixcontact.com>

PHOENIX CONTACT GmbH & Co. KG  
Flachsmarktstr. 8  
32825 Blomberg  
Germany  
Tel. +49 5235 300  
Fax +49 5235 3 41200  
<http://www.phoenixcontact.com>