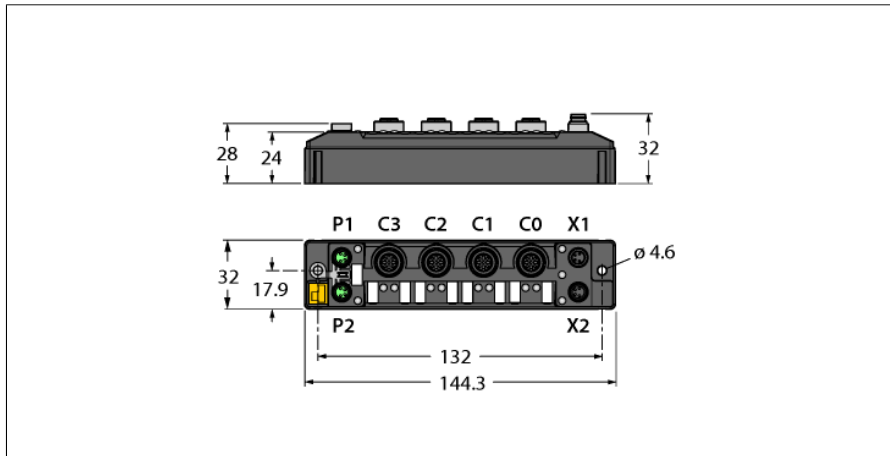


Compact Multiprotocol I/O Module for Ethernet

8 Digital PNP Inputs

TBEN-S2-8DIP



- PROFINET device, EtherNet/IP device or Modbus TCP slave
- Integrated Ethernet switch
- Supports 10 Mbps / 100 Mbps
- 2x M8, 4-pin, Ethernet fieldbus connection
- Glass fiber reinforced housing
- Shock and vibration tested
- Fully potted module electronics
- Protection classes IP65, IP67, IP69K
- Pin1 switchable per I/O port
- ATEX Zone 2/22
- Diagnostics of the supply per I/O port
- Programmable ARGEE

Type	TBEN-S2-8DIP
ID	6814073
Supply	
Supply voltage	24 VDC
Admissible range	18...30 VDC
	Total current max. 4 A per voltage group V1
Voltage supply connection	2 × M8, 4-pin
Operating current	V1: max. 150 mA
Sensor/actuator supply	Supply ports C0-C3 from V1 supply Pin1 switchable per port short-circuit protected, 0.5A per port
Electrical isolation	galvanic isolation of the voltage groups V1 and V2, voltages up to 500 VAC
Fault exclusion	Yes, acc. to EN ISO 13849-2, appendix D.2
System data	
Fieldbus transmission rate	10/100 Mbps
Fieldbus connection technology	2 × M8, 4-pin
Protocol detection	automatic
Web server	default: 192.168.1.254
Service interface	Ethernet via P1 or P2
BEEP functionality	Supported
Field Logic Controller (FLC)	
ARGEE Firmware Version	3.0.1.0
ARGEE Engineering Version	2.0.25.0
Modbus TCP	
Addressing	Static IP, DHCP
Supported function codes	FC1, FC2, FC3, FC4, FC5, FC6, FC15, FC16, FC23
Number of TCP connections	8
Input register start address	0 (0x0000 hex)
Output register start address	2048 (0x0800 hex)
Ethernet/IP	
Addressing	acc. to EtherNet/IP specification
Quick Connect (QC)	< 500 ms
Device Level Ring (DLR)	supported
Class 3 connections (TCP)	3
Class 1 connections (CIP)	10
Input Assembly Instance	103
Output Assembly Instance	104
Configuration Assembly Instance	106

Compact Multiprotocol I/O Module for Ethernet

8 Digital PNP Inputs

TBEN-S2-8DIP

PROFINET

Version	2.35
Addressing	DCP
Conformance class	B (RT)
MinCycleTime	1 ms
Fast Start-Up (FSU)	< 500 ms
Diagnostics	acc. to PROFINET alarm handling
Topology detection	supported
Automatic addressing	supported
Media Redundancy Protocol (MRP)	supported
System redundancy	S2
Netload class	3

Digital inputs

Number of channels	8
Connectivity inputs	M12, 5-pin
Input type	PNP
Type of input diagnostics	Channel diagnostics
Switching threshold	EN 61131-2 Typ 3, PNP
Low level signal voltage	< 5 V
High level signal voltage	> 11 V
Low level signal current	< 1.5 mA
High level signal current	> 2 mA
Input delay	0.2 ms/3 ms ms
Electrical isolation	Galvanically isolated to the fieldbus Voltage proof up 500 VDC

Standard/Directive conformity

Vibration test	Acc. to EN 60068-2-6 Acceleration up to 20 g
Shock test	acc. to EN 60068-2-27
Drop and topple	acc. to EN 60068-2-31/IEC 60068-2-32
Electromagnetic compatibility	Acc. to EN 61131-2
Approvals and certificates	CE, FCC, UV-resistant in accordance with DIN EN ISO 4892-2A (2013)
UL Certificate	cULus LISTED 21 W2, Encl.Type 1 IND.CONT.EQ.
Note on ATEX/IECEx	The Quick Start Guide with information on use in Ex Zones 2 and 22 must be observed.

General Information

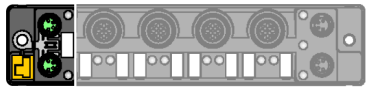
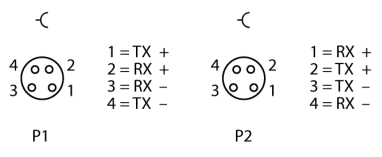
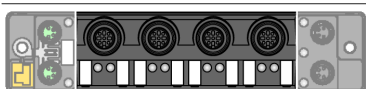
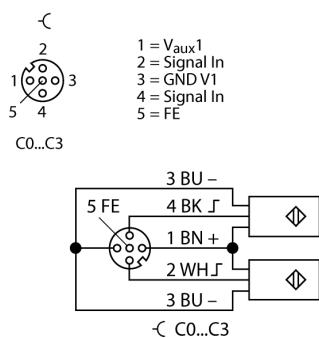
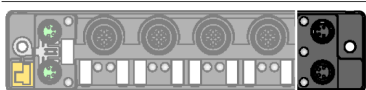
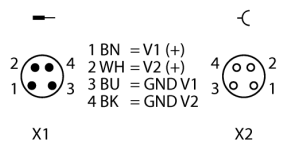
Dimensions (W x L x H)	32 x 144 x 32 mm
Ambient temperature	-40...+70 °C
Storage temperature	-40...+85 °C
Altitude	Max. 5000 m
Protection class	IP65 IP67 IP69K
MTTF	314 years acc. to SN 29500 (Ed. 99) 20 °C
Housing material	PA6-GF30
Housing color	Black
Male connector material	Nickel-plated brass
Material label	Polycarbonate
Halogen-free	yes
Mounting	2 mounting holes □ 4.6 mm

Compact Multiprotocol I/O Module for Ethernet

8 Digital PNP Inputs

TBEN-S2-8DIP

A comprehensive list of accessories for the TBEN-S product family is available at:

	<p>Accessories</p> <p>It is strongly recommended to use only pre-assembled Ethernet cables!</p> <p>Ethernet cable (example): M8-M8: PSGS4M-PSGS4M-4413-1M Ident. no. U-55718 M8-RJ45: PSGS4M-RJ45S-4413-1M Ident. no.: U-55725 M8-M12: RSSD-PSGS4M-4413-1M Ident. no.: U-58840</p>	<p>M8 x 1 Ethernet</p> 
	<p>Accessories</p> <p>V_{AUX} (Pin1) supply switchable for each port</p> <p>Actuator and sensor cable/PUR connection cable (example): RKC4.4T-2-RSC4.4T/TXL Ident. no. 6625608</p> <p>Connection cable with Y piece for single assignment VBRS4.4-2RKC4T-1/1/TEL Ident. no. 6628199</p>	<p>M12 x 1 Input</p> 
	<p>Accessories</p> <p>Power supply cable (example): M8-M8 2 M (2.0 Amp) PKG 4M-2-PSG 4M Ident. No. U99-10815 M8-M8 2 M (4.0 Amp) PKG 4M-2-PSGC 4M Ident. No. U-82319</p>	<p>M8 x 1 Voltage Supply</p> 

Compact Multiprotocol I/O Module for Ethernet

8 Digital PNP Inputs

TBEN-S2-8DIP

Module Status LED

LED	Color	Status	Description
ETH1 / ETH2	Green	ON	Ethernet link (100 Mbps)
		flashing	Ethernet communication (100 Mbps)
	Yellow	ON	Ethernet link (10 Mbps)
		flashing	Ethernet communication (10 Mbps)
		OFF	No Ethernet link
BUS	Green	ON	Active connection to a master
		Flashing	Steady flashing: Ready Sequence of 3 flashes in 2 seconds: FLC/ARGEE active
	Red	ON	IP address conflict or Restore Mode or Modbus timeout
		Flashing	Blink/Wink command active
	Red/ Green	Alternating	Waiting for assignment of an IP address, DHCP or BootP
	OFF	Power off	
ERR	Green	On	No diagnostics available
	Red	On	Diagnostics available Undervoltage diagnosis response is parameter dependent
	LED response master in the Beep network:		
	Green	1 Hz, 250 ms off	Cyclical IO data exchange
	Green/red	1 Hz, 250 ms red	Cyclical IO data exchange, diagnostics available
	Green/red	1 Hz, alternating	Discovery mode active
	Red		Discovery mode active, diagnostics available
PWR	Green	On	V _i power supply OK
		Off	V _i power supply off or V _i undervoltage

LED Status I/O

LED	Color	Status	Description
LED 0 ... 7	Green	ON	Input active
	Red	Flashing	Power overload at the corresponding port. Both port LEDs are flashing.
		OFF	Input inactive
LED 7	White	Flashing	Blink/Wink command active

Compact Multiprotocol I/O Module for Ethernet

8 Digital PNP Inputs

TBEN-S2-8DIP

Process Data Mapping of the Single Protocols

For more details on the corresponding protocols see manual.

Modbus TCP

Register Addressing (16-bit)

Offset Process Input Data: 0x0000, structure acc. to general register mapping

Offset Process Output Data: 0x0800: Structure acc. to general register mapping

EtherNet/IP™

Word addressing (16-bit)

Process input data (station -> scanner):

Status word is located in front of the general process data!

	Reg/ Word		Bit 15	Bit 14	Bit 13	Bit 12	Bit 11	Bit 10	Bit 9	Bit 8	Bit 7	Bit 6	Bit 5	Bit 4	Bit 3	Bit 2	Bit 1	Bit 0
GW status	0x0000		-	FCE	-	-	CFG	COM	V1	-	V2	-	-	-	-	-	-	Diag Warn
	0x0001		Structure according to general register mapping															
	...																	

Process output data (scanner -> station):

Control word is located in front of the general process data!

	Reg/ Word		Bit 15	Bit 14	Bit 13	Bit 12	Bit 11	Bit 10	Bit 9	Bit 8	Bit 7	Bit 6	Bit 5	Bit 4	Bit 3	Bit 2	Bit 1	Bit 0
Control	0x0000		reserved															
	0x0001		Structure according to general register mapping															
	...																	

PROFINET:

Byte addressing (8-bit)

Offset Process Input Data: 0x0000, structure acc. to general register mapping

Offset Process Output Data: 0x0000: Structure acc. to general register mapping

General register mapping:

Address details are relative, offset of the respective protocol is to be observed.

Channel/port/pin assignment:

Channel		-	-	-	-	-	-	-	-	-	Ch7	Ch6	Ch5	Ch4	Ch3	CH2	CH1	CH0
		-	-	-	-	-	-	-	-	-	DI7	DI6	DI5	DI4	DI3	DI2	DI1	DI0
Port		-	-	-	-	-	-	-	-	-	C3	C3	C2	C2	C1	C1	C0	C0
Pin											P2	P4	P2	P4	P2	P4	P2	P4

Process input data:

	Reg/ word		Bit 15	Bit 14	Bit 13	Bit 12	Bit 11	Bit 10	Bit 9	Bit 8	Bit 7	Bit 6	Bit 5	Bit 4	Bit 3	Bit 2	Bit 1	Bit 0
		Byte	Bit 7	Bit 6	Bit 5	Bit 4	Bit 3	Bit 2	Bit 1	Bit 0	Bit 7	Bit 6	Bit 5	Bit 4	Bit 3	Bit 2	Bit 1	Bit 0
			MSB								LSB							
Digital inputs 8DIP	0x0000	0x0000	-	-	-	-	-	-	-	-	DI7	DI6	DI5	DI4	DI3	DI2	DI1	DI0
Diagnostics	0x0001	0x0002	-	-	-	-	-	-	-	-	-	-	-	-	VERR V1	VERR V1	VERR V1	VERR V1
															P1C3	P1C2	P1C1	P1C0
Latch input	0x0002	0x0004																
Counter Ch0	0x0003	0x0006	Counter value LSB															
	0x0004	0x0008	Counter value MSB															
Frequency Ch0	0x0005	0x000A	Frequency MSB								Frequency LSB							
Status	0x0006	0x000C	-	-	-	-	-	-	-	-	reserved							
Module status	0x0007	0x000E	-	FCE	-	-	-	COM	V1	-	V2	-	-	-	-	-	-	DIAG

Process output data:

	Reg/ word		Bit 15	Bit 14	Bit 13	Bit 12	Bit 11	Bit 10	Bit 9	Bit 8	Bit 7	Bit 6	Bit 5	Bit 4	Bit 3	Bit 2	Bit 1	Bit 0
		Byte	Bit 7	Bit 6	Bit 5	Bit 4	Bit 3	Bit 2	Bit 1	Bit 0	Bit 7	Bit 6	Bit 5	Bit 4	Bit 3	Bit 2	Bit 1	Bit 0
			MSB								LSB							
Latch reset	0x0000	0x0000	-	-	-	-	-	-	-	-	DI7	DI6	DI5	DI4	DI3	DI2	DI1	DI0
Control	0x0001	0x0002	-	-	-	-	-	-	-	-	-	-	-	-	-	-	-	CNT_ RST
VAUX control	0x0002	0x0004	-	-	-	-	-	-	-	-	-	-	-	-	VAUX P1	VAUX P1	VAUX P1	VAUX P1
															C2	C2	C1	C0

Compact Multiprotocol I/O Module for Ethernet

8 Digital PNP Inputs

TBEN-S2-8DIP

Legend:

V1	Undervoltage V1	CFG	I/O configuration error
V2	Undervoltage V2	FCE	I/O-ASSISTANT Force Mode active
Cx	Port x	Px	Pin x
Dlx	Digital input channel x	DOx	Digital output channel x
Diag	Module diagnostics available	ERR x	Overcurrent output channel x
VERRVxCHyz	Overcurrent supply VAUXx channel y to z	PWMOUTERR	Overcurrent PWM output
VERRVxPyCz	Overcurrent supply VAUXx, pin y, port z	VAUXxPyCz	Supply VAUXx, pin y, port z
		CNT_RST	Counter reset