


D-SUB combination contact insert - VS-25-ST-DSUB-4P-5S-LH - 1655409

Please be informed that the data shown in this PDF Document is generated from our Online Catalog. Please find the complete data in the user's documentation. Our General Terms of Use for Downloads are valid (<http://phoenixcontact.com/download>)

D-SUB combination contact insert, contact inserts: x , number of positions: 9, material: Steel, tin-plated, connection method: Solder connection, size of housing: 3



Key Commercial Data

| | |
|--------------|---|
| Packing unit | 10 STK |
| GTIN |  4 046356 029339 |
| GTIN | 4046356029339 |

Technical data

Mechanical characteristics

| | |
|-------------------------------------|--|
| Number of positions | 9 |
| Connection profile | 25-pos. D-SUB |
| Insertion/withdrawal cycles | ≥ 200 |
| Connection method | Solder connection |
| Insertion force per signal contact | ≤ 3.40 N |
| Extraction force per signal contact | ≥ 0.2 N |
| Mounting type | 4-40 UNC thread |
| Insulation resistance | ≥ 5 GΩ |
| Type | 25 |
| Size of housing | 3 |
| Note | The contacts must be ordered separately since they are not included in the scope of supply of the combi contact inserts. |

Ambient conditions

| | |
|---------------------------------|-------------------|
| Ambient temperature (operation) | -55 °C ... 130 °C |
|---------------------------------|-------------------|

Material data

| | |
|--|----|
| Flammability rating according to UL 94 | V0 |
|--|----|

D-SUB combination contact insert - VS-25-ST-DSUB-4P-5S-LH - 1655409

Technical data

Material data

| | |
|--------------------------|-------------------|
| Housing material | Steel, tin-plated |
| Contact carrier material | PBT-GF |
| Contact material | Copper alloy |
| Contact surface material | Gold over nickel |

Electrical characteristics

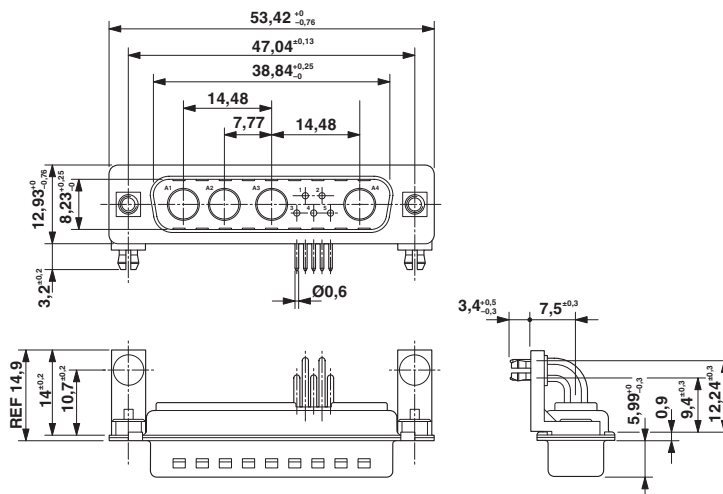
| | |
|-----------------------|---------------------------------|
| Number of positions | 9 |
| Rated current | 5 A (at 20°C (signal contacts)) |
| Overvoltage category | III |
| Degree of pollution | 2 |
| Rated voltage (III/3) | 250 V |
| Test voltage | 1200 V |

Standards and Regulations

| | |
|--|----|
| Flammability rating according to UL 94 | V0 |
|--|----|

Drawings

Dimensional drawing



D-SUB contact insert

Approvals

Approvals

D-SUB combination contact insert - VS-25-ST-DSUB-4P-5S-LH - 1655409


Approvals


Approvals

UL Recognized / EAC

Ex Approvals

Approval details

| | | | |
|---------------|---|---|---------------|
| UL Recognized |  | http://database.ul.com/cgi-bin/XYV/template/LISEXT/1FRAME/index.htm | FILE E 118976 |
|---------------|---|---|---------------|

| | | | |
|-----|--|--|---------|
| EAC |  | | B.01742 |
|-----|--|--|---------|

Phoenix Contact 2018 © - all rights reserved
<http://www.phoenixcontact.com>

PHOENIX CONTACT GmbH & Co. KG
Flachsmarktstr. 8
32825 Blomberg
Germany
Tel. +49 5235 300
Fax +49 5235 3 41200
<http://www.phoenixcontact.com>