

D-SUB combination contact insert - VS-09-ST-DSUB-1P-4S-LH - 1655315

Please be informed that the data shown in this PDF Document is generated from our Online Catalog. Please find the complete data in the user's documentation. Our General Terms of Use for Downloads are valid (<http://phoenixcontact.com/download>)

D-SUB combination contact insert, contact inserts: x , number of positions: 5, material: Steel, tin-plated, connection method: Solder connection, size of housing: 1



Key Commercial Data

Packing unit	10 STK
GTIN	
GTIN	4046356029254

Technical data

Mechanical characteristics

Number of positions	5
Connection profile	D-SUB 9
Insertion/withdrawal cycles	≥ 200
Connection method	Solder connection
Insertion force per signal contact	≤ 3.40 N
Extraction force per signal contact	≥ 0.2 N
Mounting type	4-40 UNC thread
Insulation resistance	≥ 5 GΩ
Type	09
Size of housing	1
Note	The contacts must be ordered separately since they are not included in the scope of supply of the combi contact inserts.

Ambient conditions

Ambient temperature (operation)	-55 °C ... 130 °C
---------------------------------	-------------------

Material data

Flammability rating according to UL 94	V0
--	----

D-SUB combination contact insert - VS-09-ST-DSUB-1P-4S-LH - 1655315

Technical data

Material data

Housing material	Steel, tin-plated
Contact carrier material	PBT-GF
Contact material	Copper alloy
Contact surface material	Gold over nickel

Electrical characteristics

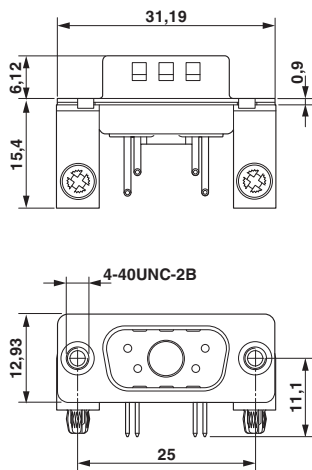
Number of positions	5
Rated current	5 A (at 20°C (signal contacts))
Overvoltage category	III
Degree of pollution	2
Rated voltage (III/3)	250 V
Test voltage	1200 V

Standards and Regulations

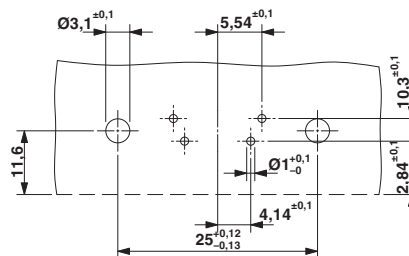
Flammability rating according to UL 94	V0
--	----

Drawings

Dimensional drawing



Drilling diagram



Drilling diagram

D-SUB contact insert

Approvals

Approvals

Approvals


UL Recognized / EAC


D-SUB combination contact insert - VS-09-ST-DSUB-1P-4S-LH - 1655315

Approvals

Ex Approvals

Approval details

UL Recognized		http://database.ul.com/cgi-bin/XYV/template/LISEXT/1FRAME/index.htm	FILE E 118976
---------------	---	---	---------------

EAC			B.01742
-----	---	--	---------

Phoenix Contact 2018 © - all rights reserved
<http://www.phoenixcontact.com>

PHOENIX CONTACT GmbH & Co. KG
Flachsmarktstr. 8
32825 Blomberg
Germany
Tel. +49 5235 300
Fax +49 5235 3 41200
<http://www.phoenixcontact.com>