

D-SUB combination contact insert - VS-25-BU-DSUB-4P-5S - 1655373

Please be informed that the data shown in this PDF Document is generated from our Online Catalog. Please find the complete data in the user's documentation. Our General Terms of Use for Downloads are valid (<http://phoenixcontact.com/download>)

D-SUB contact insert, shell size 3, with five signal contacts, with solder cup, straight, accommodation for four combined contacts, type of contact socket, fixing with a 3 mm hole, for panel mounting frame and sleeve housing VS-25-...



Key Commercial Data

Packing unit	10 STK
GTIN	
GTIN	4046356029308

Technical data

Mechanical characteristics

Number of positions	9
Connection profile	25-pos. D-SUB
Insertion/withdrawal cycles	≥ 200
Connection method	Solder cup
Conductor cross section	0.5 mm ²
Connection cross section AWG	20
Insertion force per signal contact	≤ 3.40 N
Extraction force per signal contact	≥ 0.2 N
Mounting type	Hole
Insulation resistance	≥ 5 GΩ
Type	25
Size of housing	3
Type of note	Order information:
Note	The contacts must be ordered separately since they are not included in the scope of supply of the combi contact inserts.

Ambient conditions

Ambient temperature (operation)	-55 °C ... 130 °C
---------------------------------	-------------------

D-SUB combination contact insert - VS-25-BU-DSUB-4P-5S - 1655373

Technical data

Material data

Flammability rating according to UL 94	V0
Housing material	Steel, tin-plated
Contact carrier material	PBT-GF
Contact material	Copper alloy
Contact surface material	Gold over nickel

Electrical characteristics

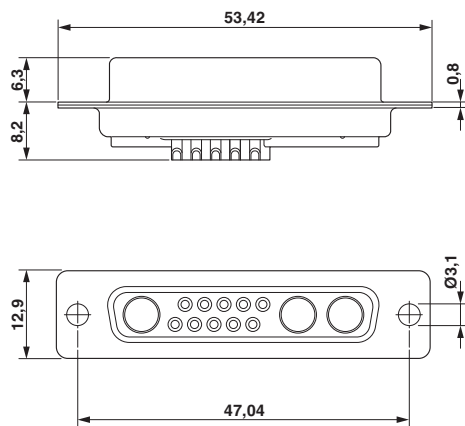
Number of positions	9
Rated current	5 A (at 20°C (signal contacts))
Overvoltage category	III
Degree of pollution	2
Rated voltage (III/3)	250 V
Test voltage	1200 V

Standards and Regulations

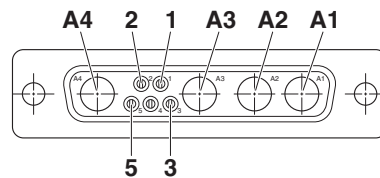
Flammability rating according to UL 94	V0
--	----

Drawings

Dimensional drawing



Schematic diagram



D-SUB contact insert

Approvals

Approvals

Approvals


UL Recognized / EAC


D-SUB combination contact insert - VS-25-BU-DSUB-4P-5S - 1655373

Approvals

Ex Approvals

Approval details

UL Recognized		http://database.ul.com/cgi-bin/XYV/template/LISEXT/1FRAME/index.htm	FILE E 118976
---------------	---	---	---------------

EAC			B.01742
-----	---	--	---------

Phoenix Contact 2018 © - all rights reserved
<http://www.phoenixcontact.com>

PHOENIX CONTACT GmbH & Co. KG
Flachsmarktstr. 8
32825 Blomberg
Germany
Tel. +49 5235 300
Fax +49 5235 3 41200
<http://www.phoenixcontact.com>