

# D-SUB combination contact insert - VS-15-BU-DSUB-2P-5S-LH - 1655344


Please be informed that the data shown in this PDF Document is generated from our Online Catalog. Please find the complete data in the user's documentation. Our General Terms of Use for Downloads are valid (<http://phoenixcontact.com/download>)



D-SUB combination contact insert, number of positions: 7, material: Steel, tin-plated, connection method: Solder connection, size of housing: 2



## Key Commercial Data

Packing unit	10 STK
GTIN	 4 046356 029285
GTIN	4046356029285

## Technical data

### Mechanical characteristics

Number of positions	7
Connection profile	D-SUB 15
Insertion/withdrawal cycles	≥ 200
Connection method	Solder connection
Insertion force per signal contact	≤ 3.40 N
Extraction force per signal contact	≥ 0.2 N
Mounting type	4-40 UNC thread
Insulation resistance	≥ 5 GΩ
Type	15
Size of housing	2
Note	The contacts must be ordered separately since they are not included in the scope of supply of the combi contact inserts.

### Ambient conditions

Ambient temperature (operation)	-55 °C ... 130 °C
---------------------------------	-------------------

### Material data

Flammability rating according to UL 94	V0
--	----

# D-SUB combination contact insert - VS-15-BU-DSUB-2P-5S-LH - 1655344

## Technical data

### Material data

Housing material	Steel, tin-plated
Contact carrier material	PBT-GF
Contact material	Copper alloy
Contact surface material	Gold over nickel

### Electrical characteristics

Number of positions	7
Rated current	5 A (at 20°C (signal contacts))
Overvoltage category	III
Degree of pollution	2
Rated voltage (III/3)	250 V
Test voltage	1200 V

### Standards and Regulations

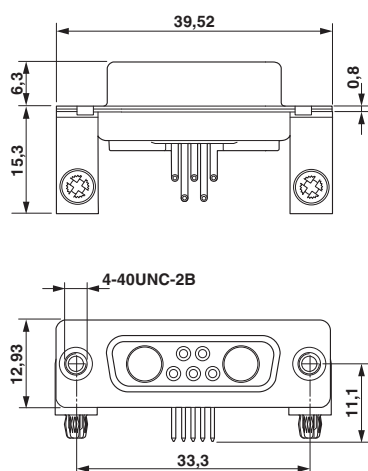
Flammability rating according to UL 94	V0
--	----

### Environmental Product Compliance

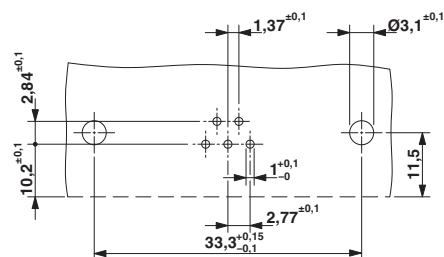
REACH SVHC	Lead 7439-92-1
China RoHS	Environmentally Friendly Use Period = 50
	For details about hazardous substances go to tab "Downloads", Category "Manufacturer's declaration"

## Drawings

Dimensional drawing



Drilling diagram



Drilling diagram

D-SUB contact insert

# D-SUB combination contact insert - VS-15-BU-DSUB-2P-5S-LH - 1655344

## Approvals

### Approvals

---

#### Approvals


UL Recognized / EAC

---

#### Ex Approvals

---

### Approval details

UL Recognized		<a href="http://database.ul.com/cgi-bin/XYV/template/LISEXT/1FRAME/index.htm">http://database.ul.com/cgi-bin/XYV/template/LISEXT/1FRAME/index.htm</a>	FILE E 118976
---------------	---	---	---------------

EAC			B.01742
-----	---	--	---------

---

Phoenix Contact 2018 © - all rights reserved  
<http://www.phoenixcontact.com>

PHOENIX CONTACT GmbH & Co. KG  
Flachsmarktstr. 8  
32825 Blomberg  
Germany  
Tel. +49 5235 300  
Fax +49 5235 3 41200  
<http://www.phoenixcontact.com>