


D-SUB combination contact insert - VS-09-BU-DSUB-1P-4S-LH - 1655302

Please be informed that the data shown in this PDF Document is generated from our Online Catalog. Please find the complete data in the user's documentation. Our General Terms of Use for Downloads are valid (<http://phoenixcontact.com/download>)

D-SUB combination contact insert, number of positions: 5, material: Steel, tin-plated, connection method: Solder connection, size of housing: 1



Key Commercial Data

Packing unit	10 STK
GTIN	 4 046356 029247
GTIN	4046356029247

Technical data

Mechanical characteristics

Number of positions	5
Connection profile	D-SUB 9
Insertion/withdrawal cycles	≥ 200
Connection method	Solder connection
Insertion force per signal contact	≤ 3.40 N
Extraction force per signal contact	≥ 0.2 N
Mounting type	4-40 UNC thread
Insulation resistance	≥ 5 GΩ
Type	09
Size of housing	1
Note	The contacts must be ordered separately since they are not included in the scope of supply of the combi contact inserts.

Ambient conditions

Ambient temperature (operation)	-55 °C ... 130 °C
---------------------------------	-------------------

Material data

Flammability rating according to UL 94	V0
--	----

D-SUB combination contact insert - VS-09-BU-DSUB-1P-4S-LH - 1655302

Technical data

Material data

Housing material	Steel, tin-plated
Contact carrier material	PBT-GF
Contact material	Copper alloy
Contact surface material	Gold over nickel

Electrical characteristics

Number of positions	5
Rated current	5 A (at 20°C (signal contacts))
Overvoltage category	III
Degree of pollution	2
Rated voltage (III/3)	250 V
Test voltage	1200 V

Standards and Regulations

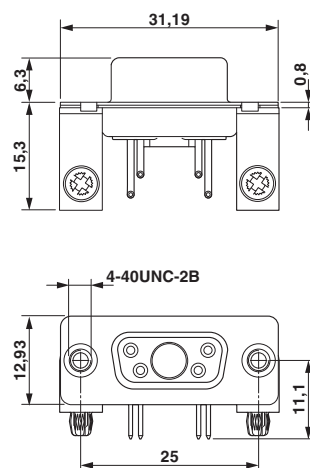
Flammability rating according to UL 94	V0
--	----

Environmental Product Compliance

REACH SVHC	Lead 7439-92-1
China RoHS	Environmentally Friendly Use Period = 50
	For details about hazardous substances go to tab "Downloads", Category "Manufacturer's declaration"

Drawings

Dimensional drawing



D-SUB contact insert

D-SUB combination contact insert - VS-09-BU-DSUB-1P-4S-LH - 1655302

Approvals

Approvals


Approvals

UL Recognized / EAC

Ex Approvals

Approval details

UL Recognized		http://database.ul.com/cgi-bin/XYV/template/LISEXT/1FRAME/index.htm	FILE E 118976
---------------	---	---	---------------

EAC			B.01742
-----	---	--	---------

Phoenix Contact 2018 © - all rights reserved
<http://www.phoenixcontact.com>

PHOENIX CONTACT GmbH & Co. KG
Flachsmarktstr. 8
32825 Blomberg
Germany
Tel. +49 5235 300
Fax +49 5235 3 41200
<http://www.phoenixcontact.com>