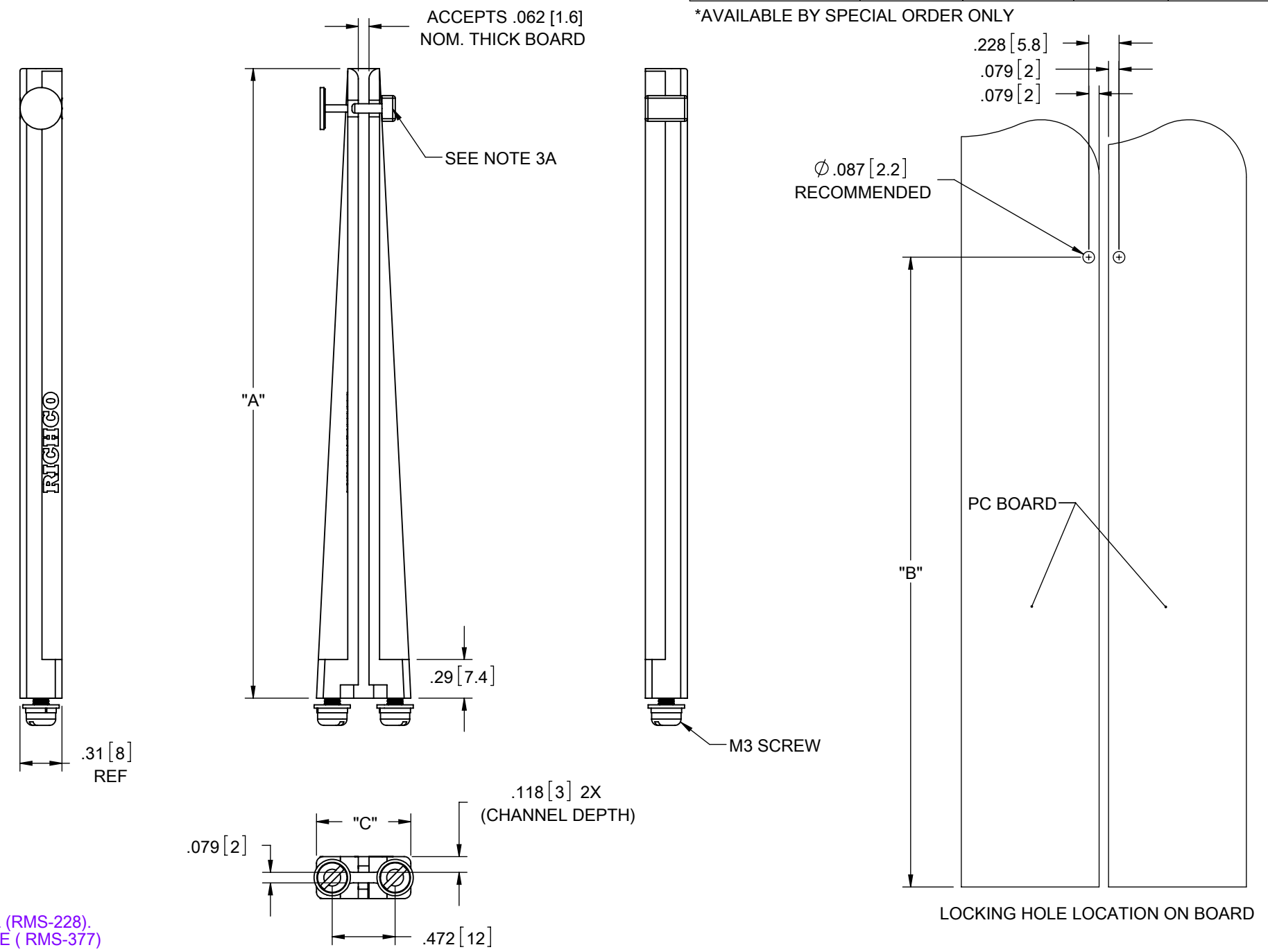


PART NO.	"A"	"B"	"C"	PIN MATERIAL
VMCG-320-MPBK-K	4.73 [120]	4.43 [112.5]	.71 [18]	METAL
*VMCG-320-MPBL-K				PLASTIC, BLUE
VMCG-360-MPBK-K	6.30 [160]	4.43 [112.5]	.75 [19]	METAL

*AVAILABLE BY SPECIAL ORDER ONLY



- NOTES:
 1. MATERIAL: NYLON 6, GLASS FILLED (RMS-38)
 2. COLOR: GRAY.
 3. COMPONENTS:
 A) "MPBK"-LOCKING MECHANISM: BLACK HDPE (RMS-284) AND METAL PIN STAINLESS STEEL (RMS-228).
 "MPBL"- LOCKING MECHANISM: BLACK HDPE (RMS-284) AND BLUE PLASTIC BUTTON, HDPE (RMS-377)
 B) SCREW: STAINLESS STEEL (RMS-228)
 C) M3 X 0.5 THREADED INSERT: STAINLESS STEEL (RMS-228)
 D) WASHER: STAINLESS STEEL (RMS-228)

REV.	DESCRIPTION	ENGR.	DATE
I	SEE CO 200146 FOR CHANGES	SK	03/25/08
H	SEE ECN #1356 FOR CHANGES	SK	08/22/07
G	REDRAWN, SEE ECN #1306 FOR CHANGES	SK	04/02/07
-	SEE ENGINEERING FOR REVISIONS A-F	--	----

TITLE: VERTICAL MOUNT CARD GUIDE, TYPE 3				DWG IN IN [MM]		FINAL	
CREATED USING SOLIDWORKS	FILE #: VMCG-3	DWN: SK	APP: S.K.	PART #			
TOLERANCES UNLESS NOTED .XX=±.010 .XXX=±.005 FRAC.=±1/64 ANG.=±1°	SHEET: 1 OF 1 SHEET SIZE: B	DT: 04/02/07	CHKD: D.J.Z.	SEE TABLE			
RE: RICHCO, INC.		RICHCO, INC. ENG@RICHCO-INC.COM (773) 539-4060		PRINT TYPE		CA	