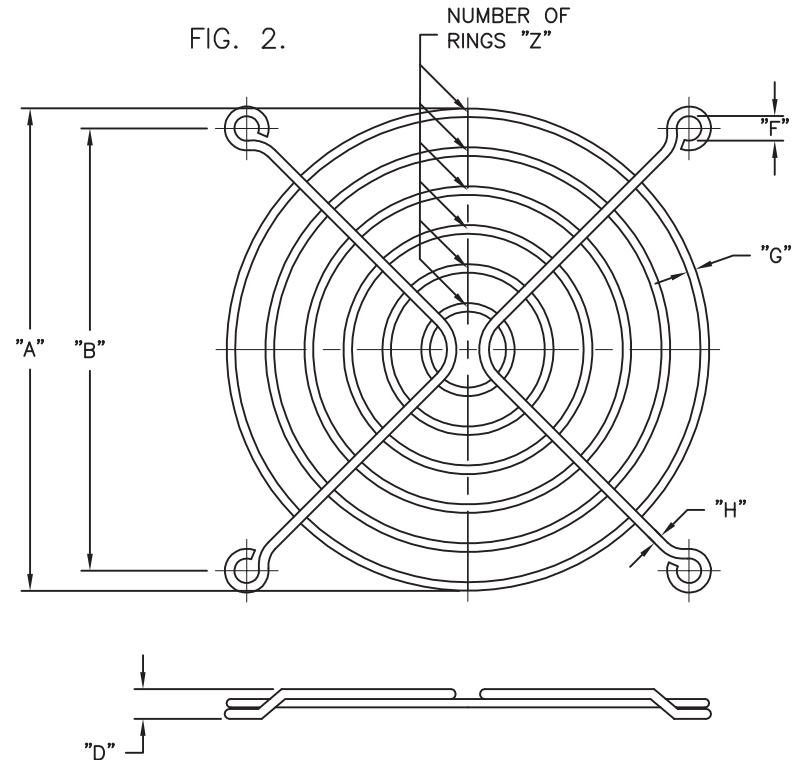
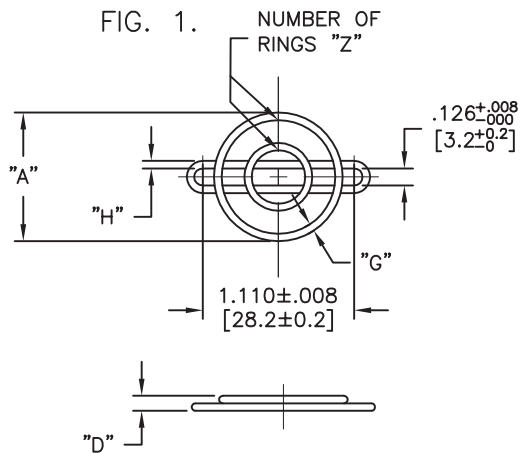


PART NUMBER	"A" ±.03 [0.8]	"B" ±.03 [0.8]	"D" ±.03 [0.8]	"F" ±.03 [0.8]	"G" REF.	"H" REF.	"Z"	FIG. NO.
RCOFM-25	.94 [24]	---	.09 [2.2]	---	.055 [1.4]	.055 [1.4]	2	1
RCOFM-40	1.15 [29.1]	1.26 [32.0]	.19 [4.8]	.16 [4.0]	.06 [1.6]	.06 [1.6]	2	2
RCOFM-50	1.65 [42.0]	1.62 [41.1]	.19 [4.8]	.18 [4.6]			3	
RCOFM-60	2.09 [53.2]	1.97 [50.0]	.17 [4.4]	.18 [4.6]	4			
RCOFM-80	3.00 [76.2]	2.81 [71.5]	.19 [4.9]	.20 [5.2]	.07 [1.8]	5		
RCOFM-92	3.54 [90.0]	3.25 [82.5]	.22 [5.5]	.18 [4.6]	.06 [1.6]	.07 [1.8]	6	
RCOFM-120	4.55 [115.6]	4.16 [104.8]			.07 [1.8]	8		



NOTES

1. MATERIAL: STEEL WIRE ELECTROPLATED (RMS-261).
2. PLATING: NICKEL CHROME (RMS-229)

REV			DESCRIPTION			ENGR DATE			TITLE: METAL FAN GUARD			DWG IN IN [MM]		FINAL		PRINT TYPE		
F	REMOVED C & E DIMENSIONS, ECN # 1400		DZ 01.21.15					FILE # RCOFM			DWN: R.D.G.		DT: 11/11/04		PART #		PRINT TYPE	
E	SEE CO 200247 FOR CHANGES		SK 09.23.08		TOLERANCES UNLESS NOTED			MAT'L: SEE NOTES			CHKD: SK		ENGR: RDG		SEE TABLE		CA	
D	SEE ECN # 1266 FOR CHANGES		SK 12.14.06		.XX=±.010			RE: RICHCO, INC.			RICHCO INC.		PO BOX 804238, CHICAGO, 60680					
C	SEE ECN # 1159 FOR CHANGES		SJ 05.02.06		.XXX=±.005								(773) 539-4060					
B	SEE ECN # 1054 FOR CHANGES		SK 09.09.05		FRAC=±1/64													
A	RELEASED FOR PRODUCTION		SK 03.17.05		ANG=±1°													