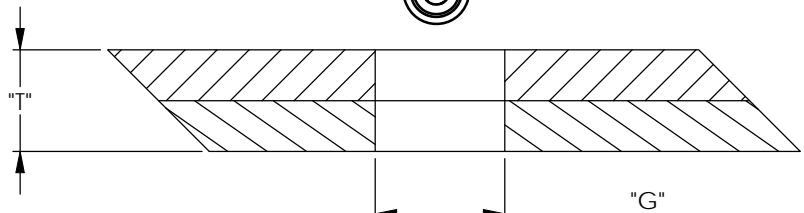
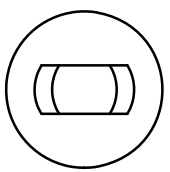
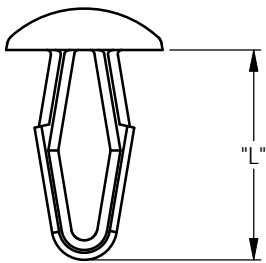
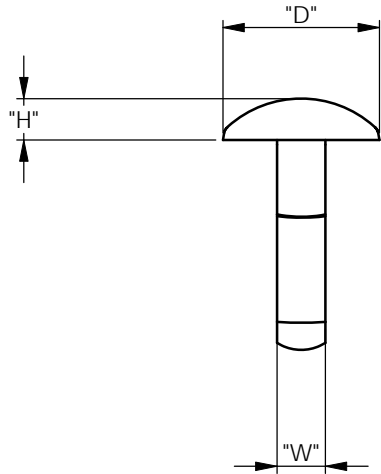


A B C D E F

REV.	MODIFICATION.	DATE	DRN
01	ECN2007-080	08/06/07	SF
02	ECN2007-202	15/11/07	NJB
03	CO2010238	16/05/08	SF
04	CO2010544	30/01/09	OW
05	CO2010549	05/02/09	OW



NOTES:

1) PARTS AVAILABLE IN COLOURS BY SPECIAL ORDER. ADD COLOUR SUFFIX TO END OF PART NUMBER. E.G. DF-137-050RD FOR RED.

ACETAL (RMS-14) COLOR: NATURAL PART NO:	FLAME RETARDANT, NYLON UL94- V0(RMS-19) COLOUR: NATURAL PART NO:	HOLE ϕ "G" ± 0.05 [$\pm .002$]	"T" TOTAL THICKNESS RANGE	"D" ± 0.50 [$\pm .020$]	"H" ± 0.25 [$\pm .010$]	"L" ± 0.5 [$\pm .020$]	"W" REF.
DF-137-010	N/A	3.2 [.126]	1.0-4.5 [.039-.177]	8.0 [.315]	1.5 [.059]	13.0 [.512]	2.7 [.106]
DF-137-020	DFV0-137-020	3.9 [.153]	1.0-5.0 [.039-.197]	9.0 [.354]	1.6 [.063]	14.0 [.551]	2.9 [.116]
DF-137-030	DFV0-137-030	4.7 [.185]	1.0-5.5 [.039-.216]	10.0 [.394]	1.7 [.067]	15.0 [.590]	3.4 [.134]
DF-137-031	DFV0-137-031	4.7 [.185]	1.0-5.5 [.039-.216]	11.0 [.433]	2.9 [.114]	15.0 [.590]	3.4 [.134]
DF-137-040	DFV0-137-040	6.4 [.252]	1.5-6.5 [.059-.256]	12.0 [.472]	2.0 [.079]	17.0 [.669]	3.9 [.153]
DF-137-050	DFV0-137-050	7.8 [.307]	1.5-7.0 [.059-.275]	14.0 [.551]	2.2 [.087]	19.0 [.748]	4.2 [.166]
DF-137-060	DFV0-137-060	5.5 [.216]	6.0-9.0 [.236-.354]	12.0 [.472]	2.0 [.079]	17.5 [.689]	3.8 [.150]

INFORMATION CONTAINED IN THIS DOCUMENT IS CONFIDENTIAL TO RICHCO INTERNATIONAL Co. Ltd. AND MAY NOT BE DISCLOSED OR REPRODUCED IN WHOLE OR PART WITHOUT THEIR WRITTEN CONSENT.

METRIC PRIMARY UNITS:mm
 IMPERIAL SECONDARY UNITS:[inches]
 GENERAL TOLERANCES ± 0.25 [0.010]
 UNLESS OTHERWISE STATED
 1 DECIMAL PLACE ± 0.25
 2 DECIMAL PLACES ± 0.10
 ANGULAR $\pm 1^\circ$

THIRD ANGLE

MATERIAL: SEE TABLE				COLOUR: SEE TABLE	
DESCRIPTION: DRIVE FASTENER				PART No: SEE TABLE	
DRG No: 07-052		NPR No: N/A		Mass:(g) 0.4	SHEET SIZE A4
DRN SF	DATE 08/06/07	CHKD NB	DATE 08/06/07	SCALE NTS	SHEET No. 1 OF 1

A B C D E F