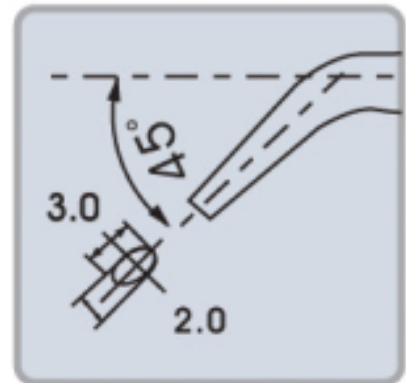


## Product Datasheet

# 5.5in Bent Nose Pliers

RS Stock number 847-3800



### Specification:

Rs stock number: 847-3800

Material: High Carbon steel head with TRV grip (red/black)

Finish: Polished

Bent nose with 45° angle for easy operation in tight working spaces