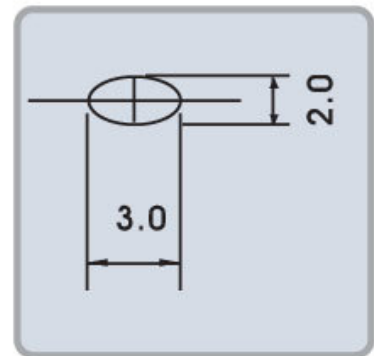


Product Datasheet

5.7in Long Nose Pliers

RS Stock number 847-3793



Specification:

Rs stock number: 847-3793

Material: High Carbon steel head with PP/TPR grip (red/black)

Finish: Polished

(8.0mm thickness) with cutter serrated jaw